

TRI MO TRIMOTERM

A close-up, angled view of a ceiling panel assembly. The top surface is a smooth, white, rectangular panel. Below it, the core material is visible, showing a dense, fibrous, light-brown texture characteristic of fiberboard. A silver-colored metal trim profile is installed along the edge of the panel, with its flange resting on the surface of the white panel and its channel fitting into the joint between the panel and the core.

DESIGN DETAILS
TRIMOTERM FTV

HORIZONTAL INSTALLATION

TRIMOTERM FTV

- TE-H-01 JOINT
- TE-H-02 BASE
- TE-H-03 PARAPET
- TE-H-04 EXTERNAL CORNER
- TE-H-05 INTERNAL CORNER
- TE-H-06 WINDOW
- TE-H-07 DOOR
- TE-H-08 PENETRATION
- TE-H-09 DILATATION
- TE-H-11 OTHER SYSTEM CONNECTION
- TE-H-12 SOFFIT

- Subject of details are only positioned elements, except where indicated separately!
- For items, that are not in the supply of Trimo d.o.o., Trimo d.o.o. is not responsible!
- Used materials must comply with the local regulations in force.
- All components must be used and installed in accordance with manufacturer's instructions.
- Substructure to be determined in accordance with the requirements of the project.
- Substructure must comply with structural analysis.
- In details, the substructure is only schematic.
- Statical calculation for fixing screws quantity to be done!
- In case of a connection of materials with different electric potentials, use a relevant isolator.
- The material of the flashings has the default properties of the outer sheet of the façade element.
- Fire and lightning protection must comply with the local regulations in force.



HORIZONTAL INSTALLATION

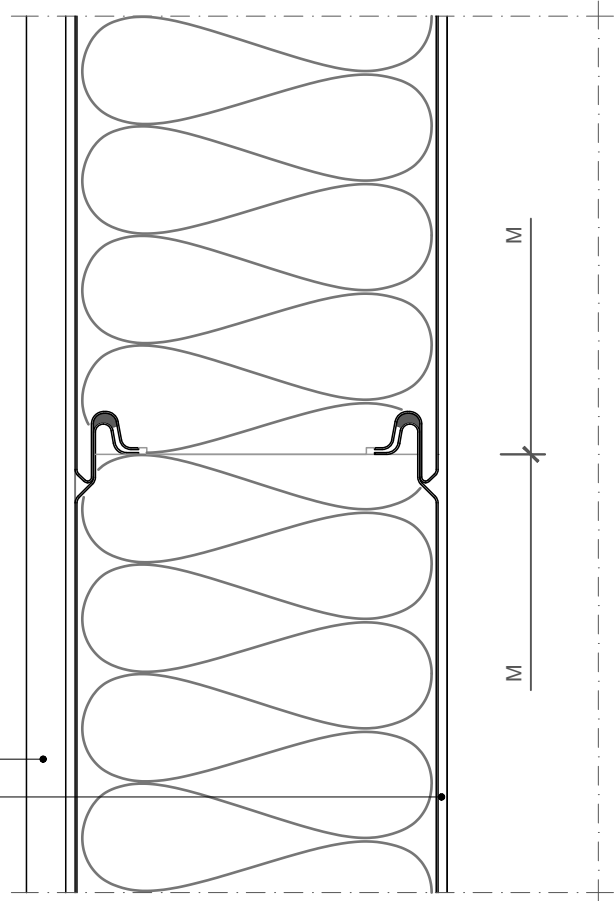
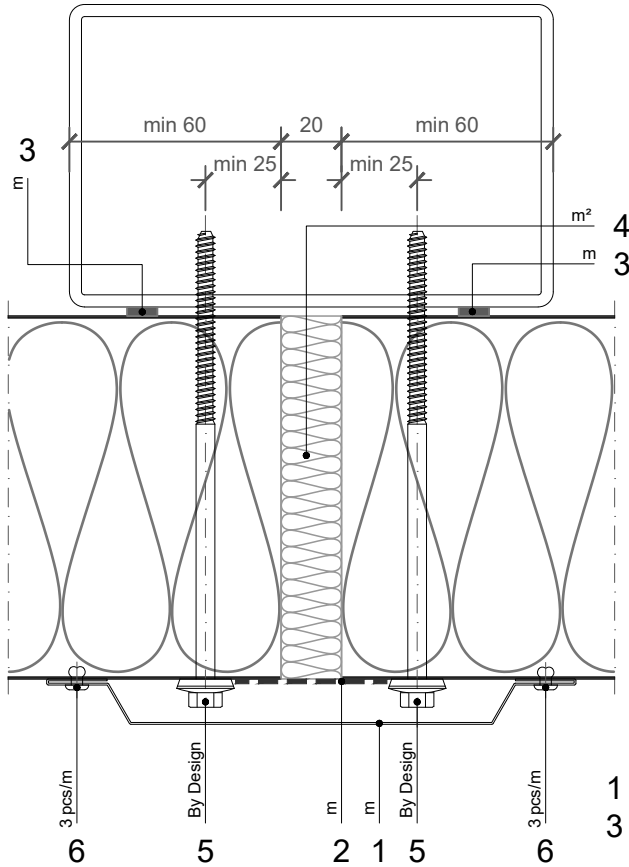
TRIMOTERM FTV

BUILDING APPLICATION

- External Facade
- Internal Wall
- Roof
- External Soffit
- Internal Ceiling
- Backing panel

HORIZONTAL CUT

VERTICAL CUT



NOTE

- The flashing is to be fitted by a 50 mm overlap.
- Installation mastic seal - see dwg. TE-H-01.01 - ELEMENTS 01

POS	CODE	ELEMENT	AMOUNT	UNIT
1	O023	Joint flashing	dwg	
2	5012498	Butyl tape on the aluminium foil 1x50xL		m
3	30006985	Self adhesive sealing tape 5x10xL		m
4	30027144	Thermal insulation		m ²
5	V130	Fixing screw	By Design	
6	K001	Rivet 4xL		pcs

SCALE: M 1:2.5

JOINT 01

Trimo Group holds full copyrights on the information and details provided on this media, therefore any unauthorized reproduction and distribution is strictly prohibited.

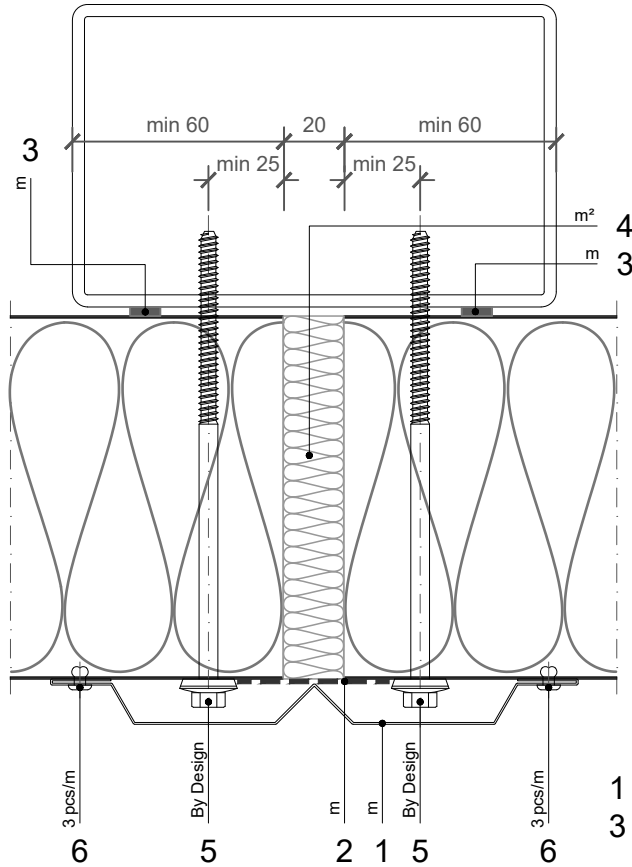
HORIZONTAL INSTALLATION

TRIMOTERM FTV

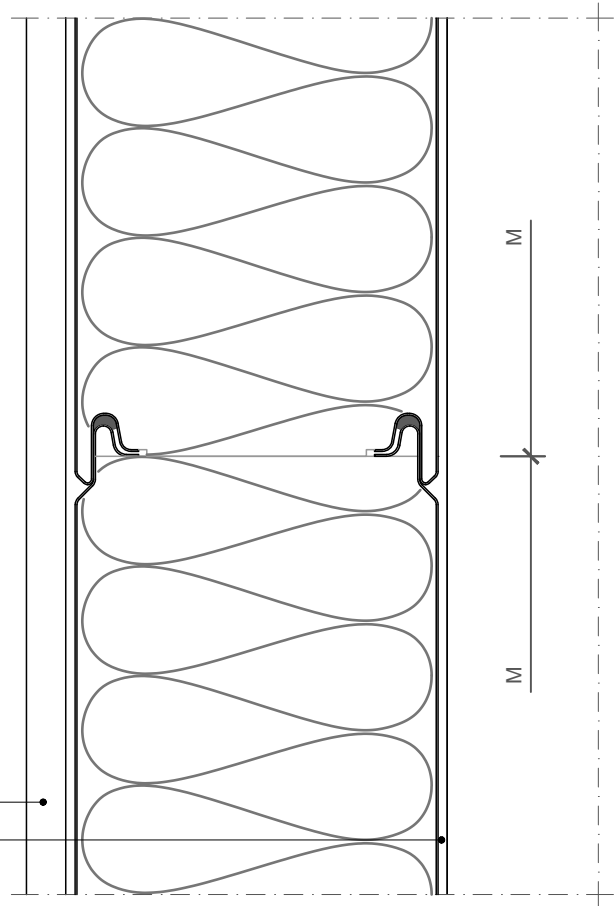
BUILDING APPLICATION

- External Facade
- Internal Wall
- Roof
- External Soffit
- Internal Ceiling
- Backing panel

HORIZONTAL CUT



VERTICAL CUT



NOTE

- The flashing is to be fitted by a 50 mm overlap.
- Installation mastic seal - see dwg. TE-H-01.01 - ELEMENTS 01

POS	CODE	ELEMENT	AMOUNT	UNIT
1	O021	Joint flashing	dwg	
2	5012498	Butyl tape on the aluminium foil 1x50xL		m
3	30006985	Self adhesive sealing tape 5x10xL		m
4	30027144	Thermal insulation		m ²
5	V130	Fixing screw	By Design	
6	K001	Rivet 4xL		pcs

SCALE: M 1:2.5

JOINT 02

Trimo Group holds full copyrights on the information and details provided on this media, therefore any unauthorized reproduction and distribution is strictly prohibited.

HORIZONTAL INSTALLATION

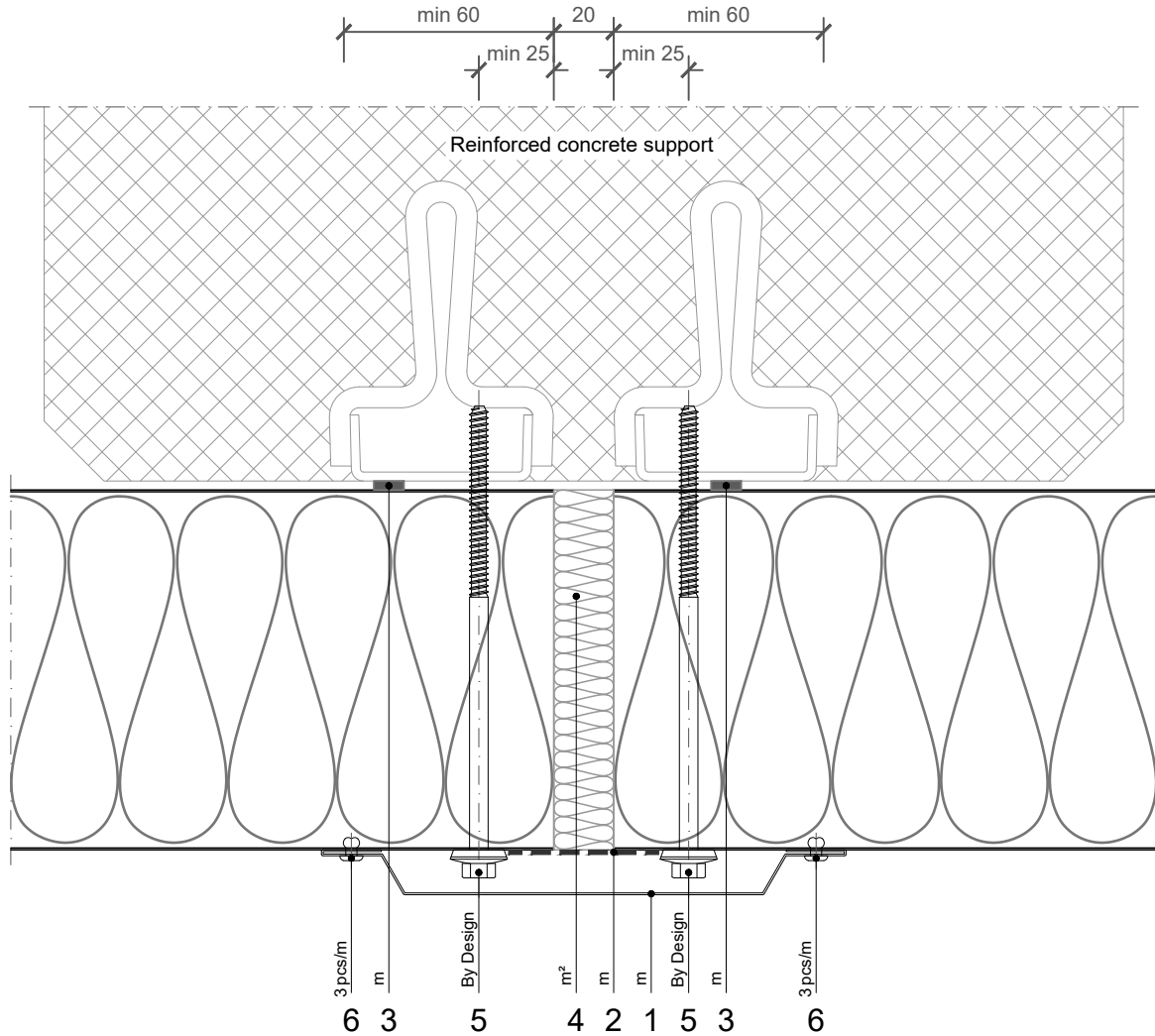
TRIMOTERM FTV

BUILDING APPLICATION

- External Facade
- Internal Wall
- Roof
- External Soffit
- Internal Ceiling
- Backing panel

HORIZONTAL CUT

Concrete with rail mounted



NOTE

- The flashing is to be fitted by a 50 mm overlap.
- Installation mastic seal - see dwg. TE-H-01.01 - ELEMENTS 01

POS	CODE	ELEMENT	AMOUNT	UNIT
1	O023	Joint flashing	dwg	
2	5012498	Butyl tape on the aluminium foil 1x50xL		m
3	30006985	Self adhesive sealing tape 5x10xL		m
4	30027144	Thermal insulation		m ²
5	V130	Fixing screw	By Design	
6	K001	Rivet 4xL		pcs

SCALE: M 1:2.5

JOINT 03

Trimo Group holds full copyrights on the information and details provided on this media, therefore any unauthorized reproduction and distribution is strictly prohibited.

HORIZONTAL INSTALLATION

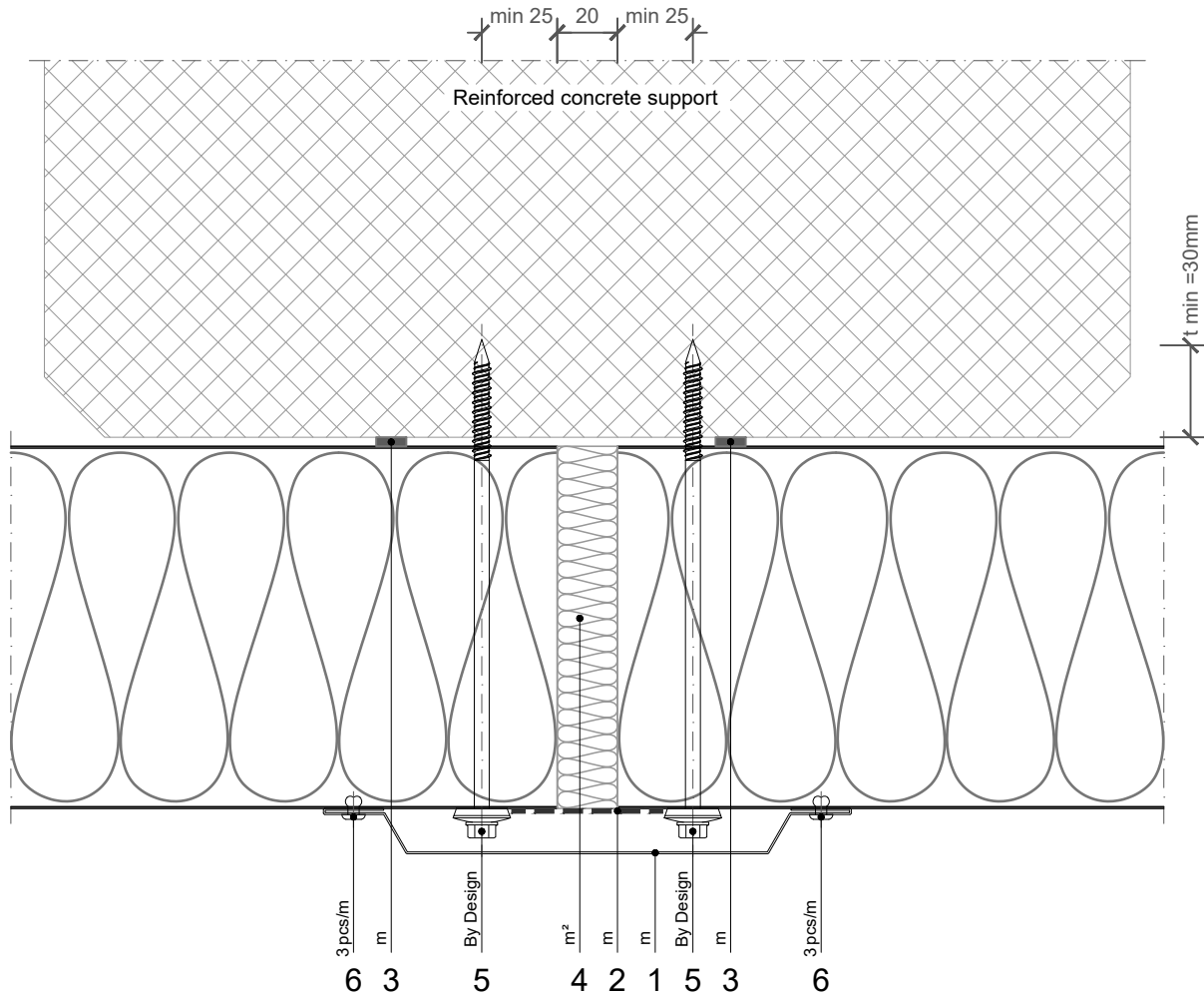
TRIMOTERM FTV

BUILDING APPLICATION

- External Facade
- Internal Wall
- Roof
- External Soffit
- Internal Ceiling
- Backing panel

HORIZONTAL CUT

Concrete without rail mounted



NOTE

- The detail is suitable only for fixing to concrete structure with low dimension tolerances and smooth surface
Example: Prefabricated reinforced concrete elements
- A shift of pillars from the axis by 9 mm is allowed at the measuring distance of 5 m between the measuring points (DIN 18202)
- The drill Ø5.0 is to be used for t=25 mm; and the drill Ø5.2 is to be used for t=35 mm
- For fixing the panels the instructions of screws manufacturer should be considered
- The flashing is to be fitted by a 50 mm overlap.
- Installation mastic seal - see dwg. TE-H-01.01 - ELEMENTS 01

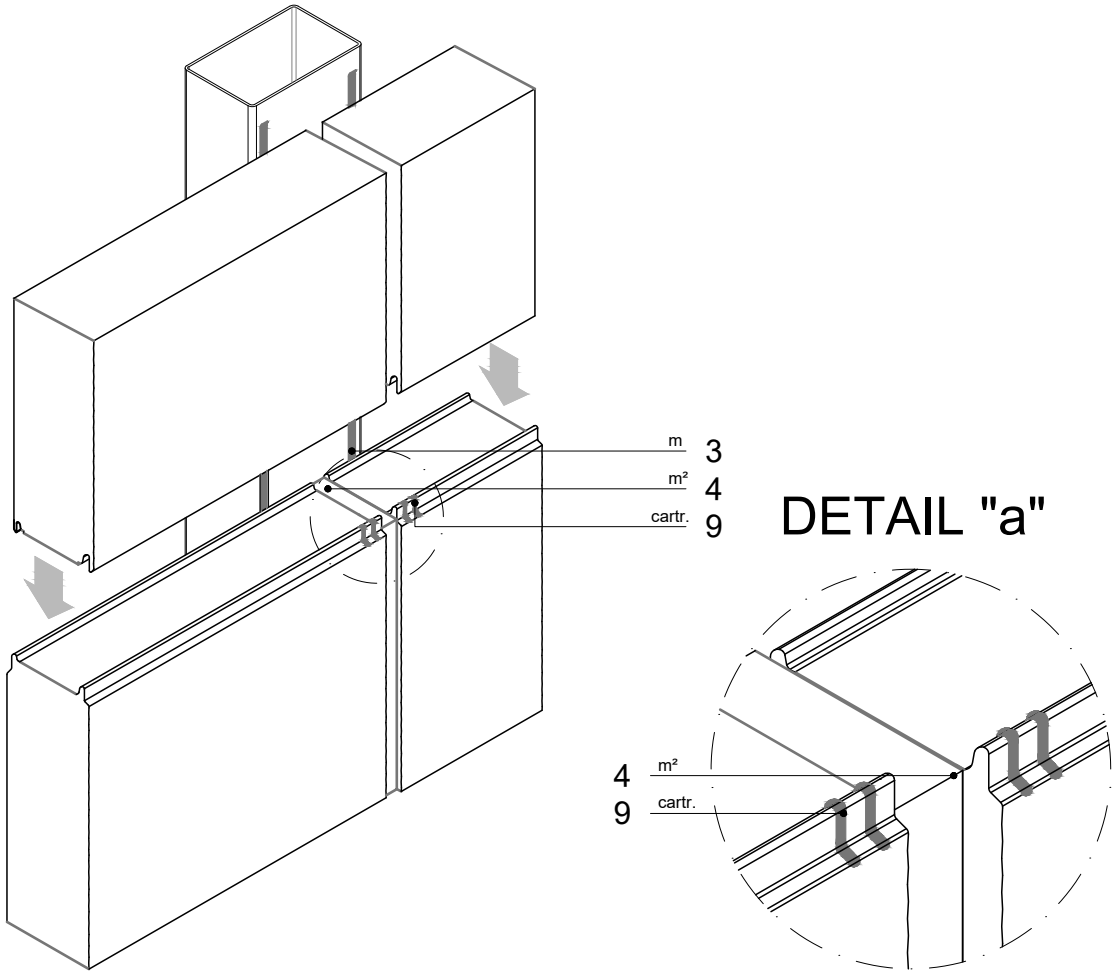
POS	CODE	ELEMENT	AMOUNT	UNIT
1	O023	Joint flashing	dwg	
2	5012498	Butyl tape on the aluminium foil 1x50xL		m
3	30006985	Self adhesive sealing tape 5x10xL		m
4	30027144	Thermal insulation		m²
5	V133	Fixing screw	By Design	
6	K001	Rivet 4xL		pcs

SCALE: M 1:2.5

JOINT 04

Trimo Group holds full copyrights on the information and details provided on this media, therefore any unauthorized reproduction and distribution is strictly prohibited.

INSTALLATION - MASTIC SEAL APPLICATION

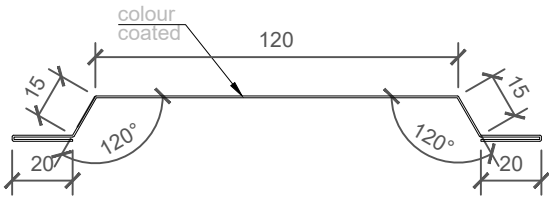


POS	CODE	ELEMENT	AMOUNT	UNIT
3	30006985	Self adhesive sealing tape 5x10xL		m
4	30027144	Thermal insulation		m²
9	30025810	Mastic sealant		cartr.

ELEMENTS 01

Trimo Group holds full copyrights on the information and details provided on this media, therefore any unauthorized reproduction and distribution is strictly prohibited.

ELEMENT_ O023_Joint flashing

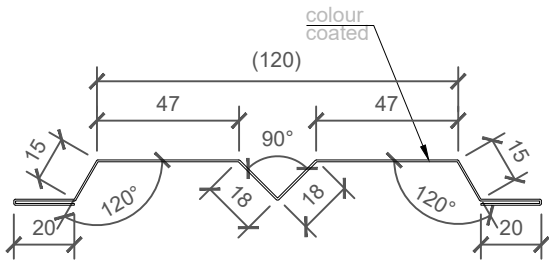


REFERENCE	
COLOUR	
LENGTH	
PIECES	

NOTES

material: Colored metal sheet
 thickness [mm]: 0.6
 sheet width [mm]: 230
 folds: 8
 Lmax [mm] = 6000

ELEMENT_ O021_Joint flashing



REFERENCE	
COLOUR	
LENGTH	
PIECES	

NOTES

material: Colored metal sheet
 thickness [mm]: 0.6
 sheet width [mm]: 240
 folds: 11
 Lmax [mm] = 6000

HORIZONTAL INSTALLATION

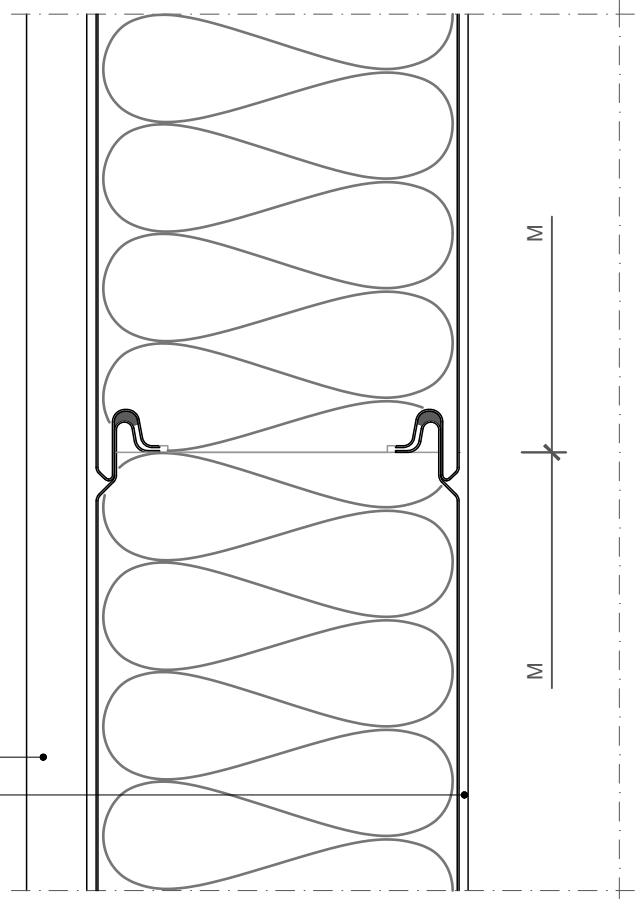
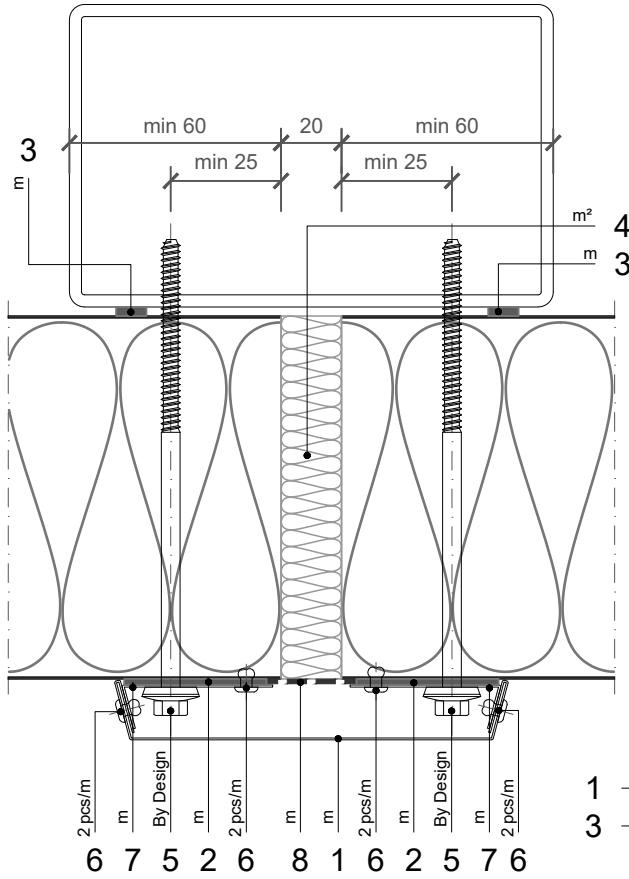
TRIMOTERM FTV

BUILDING APPLICATION

- External Facade
- Internal Wall
- Roof
- External Soffit
- Internal Ceiling
- Backing panel

HORIZONTAL CUT

VERTICAL CUT



NOTE

- The flashing is to be fitted by a 50 mm overlap.
- Installation mastic seal - see dwg. TE-H-02.01 - ELEMENTS 01

POS	CODE	ELEMENT	AMOUNT	UNIT
1	O1673	Joint flashing	dwg	
2	5012487	Self adhesive sealing tape EPDM 2x47x100 (under the fixing)		m
3	30006985	Self adhesive sealing tape 5x10xL		m
4	30027144	Thermal insulation		m ²
5	V130	Fixing screw	By Design	
6	K001	Rivet 4xL		pcs
7	O139	Joint flashing support	dwg	
8	5012498	Butyl tape on the aluminium foil 1x50xL		m

JOINT 01

Trimo Group holds full copyrights on the information and details provided on this media, therefore any unauthorized reproduction and distribution is strictly prohibited.

HORIZONTAL INSTALLATION

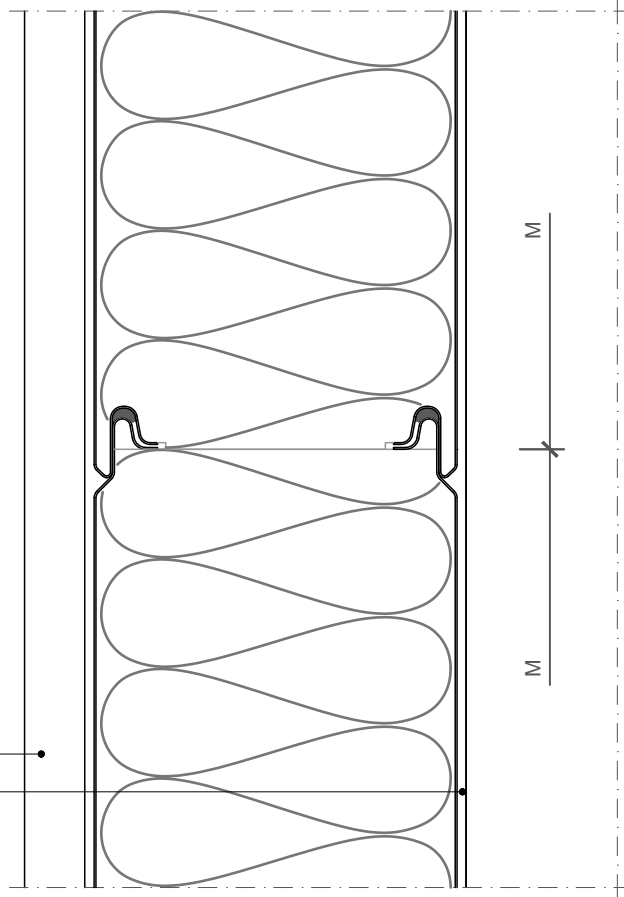
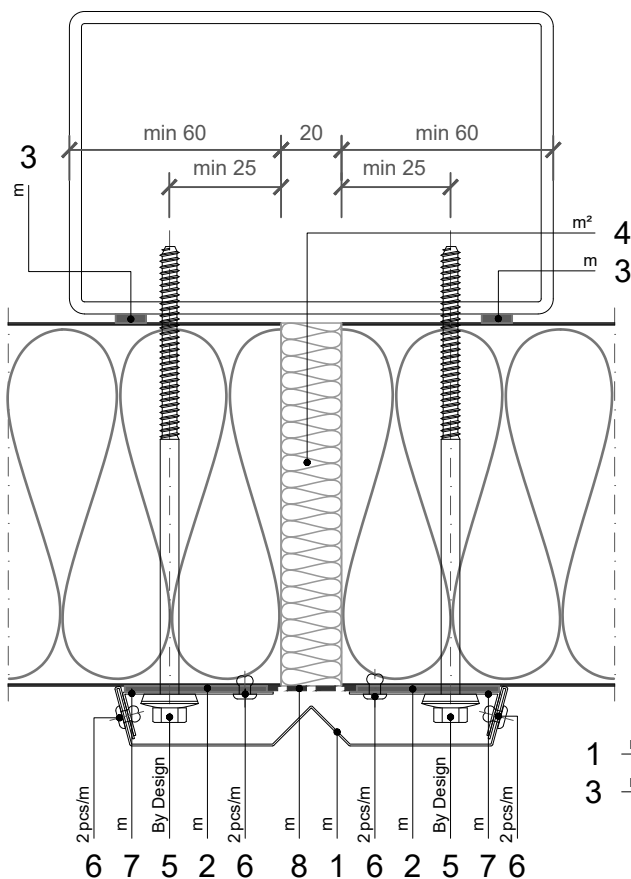
TRIMOTERM FTV

BUILDING APPLICATION

- External Facade
- Internal Wall
- Roof
- External Soffit
- Internal Ceiling
- Backing panel

HORIZONTAL CUT

VERTICAL CUT



NOTE

- The flashing is to be fitted by a 50 mm overlap.
- Installation mastic seal - see dwg. TE-H-02.01 - ELEMENTS 01

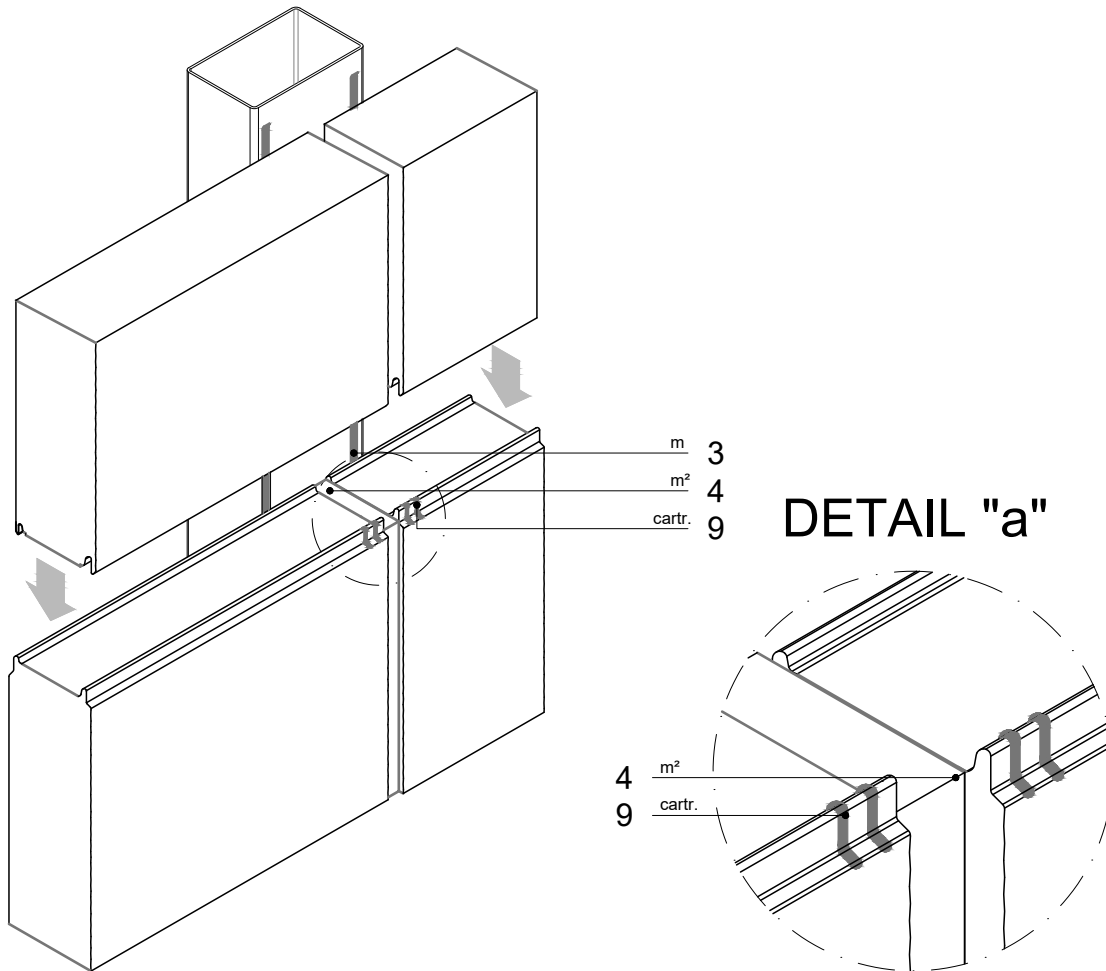
POS	CODE	ELEMENT	AMOUNT	UNIT
1	O1674	Joint flashing	dwg	
2	5012487	Self adhesive sealing tape EPDM 2x47x100 (under the fixing)		m
3	30006985	Self adhesive sealing tape 5x10xL		m
4	30027144	Thermal insulation		m ²
5	V130	Fixing screw	By Design	
6	K001	Rivet 4xL		pcs
7	O139	Joint flashing support	dwg	
8	5012498	Butyl tape on the aluminium foil 1x50xL		m

SCALE: M 1:2.5

JOINT 02

Trimo Group holds full copyrights on the information and details provided on this media, therefore any unauthorized reproduction and distribution is strictly prohibited.

INSTALLATION - MASTIC SEAL APPLICATION

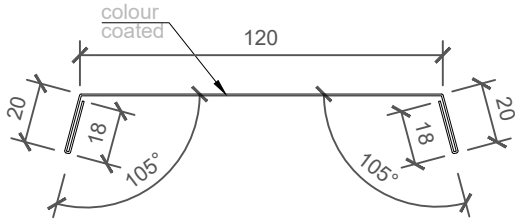


POS	CODE	ELEMENT	AMOUNT	UNIT
3	30006985	Self adhesive sealing tape 5x10xL		m
4	30027144	Thermal insulation		m ²
9	30025810	Mastic sealant		cartr.

ELEMENTS 01

Trimo Group holds full copyrights on the information and details provided on this media, therefore any unauthorized reproduction and distribution is strictly prohibited.

ELEMENT_O1673_Joint flashing

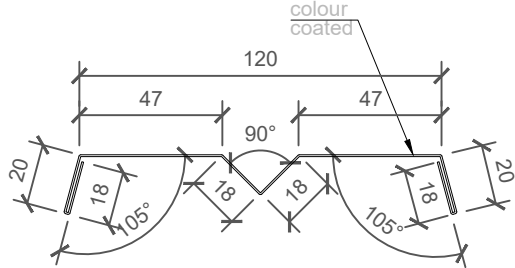


REFERENCE	
COLOUR	
LENGTH	
PIECES	

NOTES

material: Colored metal sheet
 thickness [mm]: 0.6
 sheet width [mm]: 196
 folds: 6
 Lmax [mm] = 6000

ELEMENT_O1674_Joint flashing

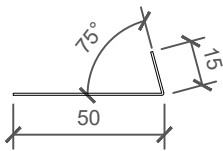


REFERENCE	
COLOUR	
LENGTH	
PIECES	

NOTES

material: Colored metal sheet
 thickness [mm]: 0.6
 sheet width [mm]: 206
 folds: 9
 Lmax [mm] = 6000

ELEMENT_O139_Joint flashing support



REFERENCE	
LENGTH	
PIECES	

NOTES

material: Galvanized metal sheet
 thickness [mm]: 0.7
 sheet width [mm]: 65
 folds: 1
 Lmax [mm] = 6000

HORIZONTAL INSTALLATION

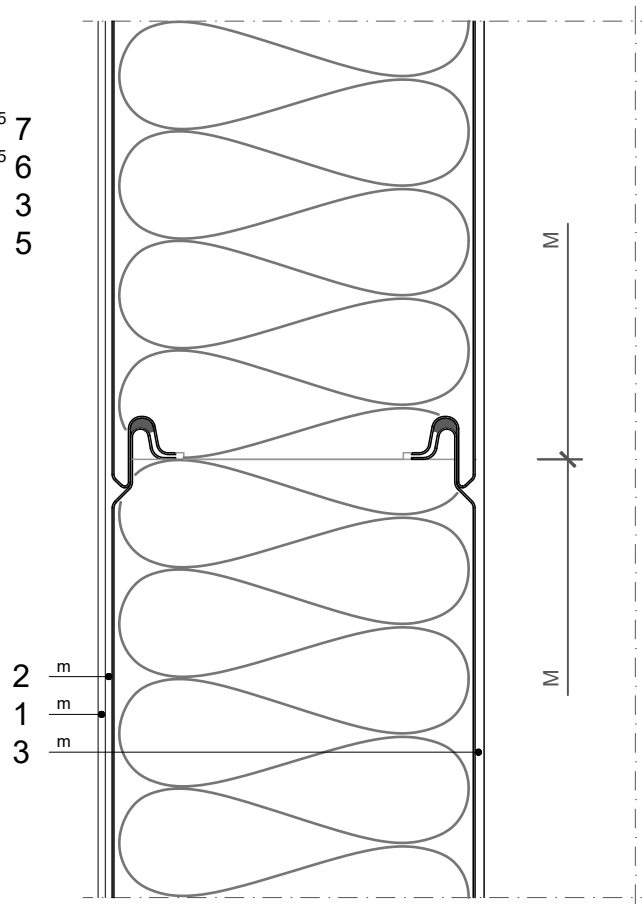
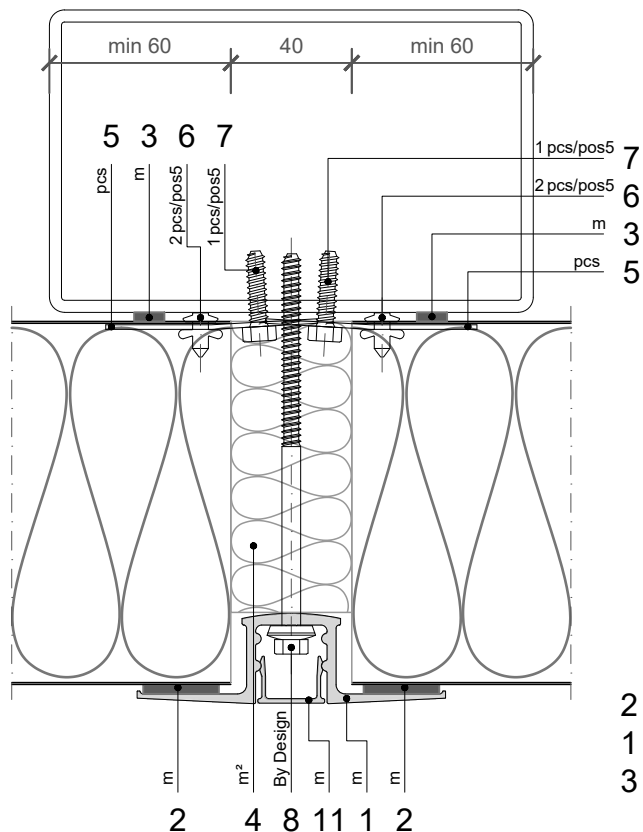
TRIMOTERM FTV

BUILDING APPLICATION

- External Facade
- Internal Wall
- Roof
- External Soffit
- Internal Ceiling
- Backing panel

HORIZONTAL CUT

VERTICAL CUT



NOTE

- The dimension A of the profile drip flashing pos O1397 - see dwg. TE-H-01.03 - ELEMENTS 03) should be adjusted
- Prolongation - see dwg. TE-H-01.03 - ELEMENTS 02
- Installation mastic seal - see dwg. TE-H-01.03 - ELEMENTS 01

POS	CODE	ELEMENT	AMOUNT	UNIT
1	HF102/1	Fixing extrusion		m
2	30007460	Self adhesive sealing tape 6x25xL		m
3	30006985	Self adhesive sealing tape 5x10xL		m
4	30027144	Thermal insulation		m ²
5	N032	Fixing element	dwg	
6	K011	Bulb tite rivet 5,2xL		pcs
7	V300	Fixing screw		pcs
8	V120	Fixing screw	By Design	
11	HF102/2	Decorative extrusion		m

SCALE: M 1:2.5

JOINT 01

Trimo Group holds full copyrights on the information and details provided on this media, therefore any unauthorized reproduction and distribution is strictly prohibited.

HORIZONTAL INSTALLATION

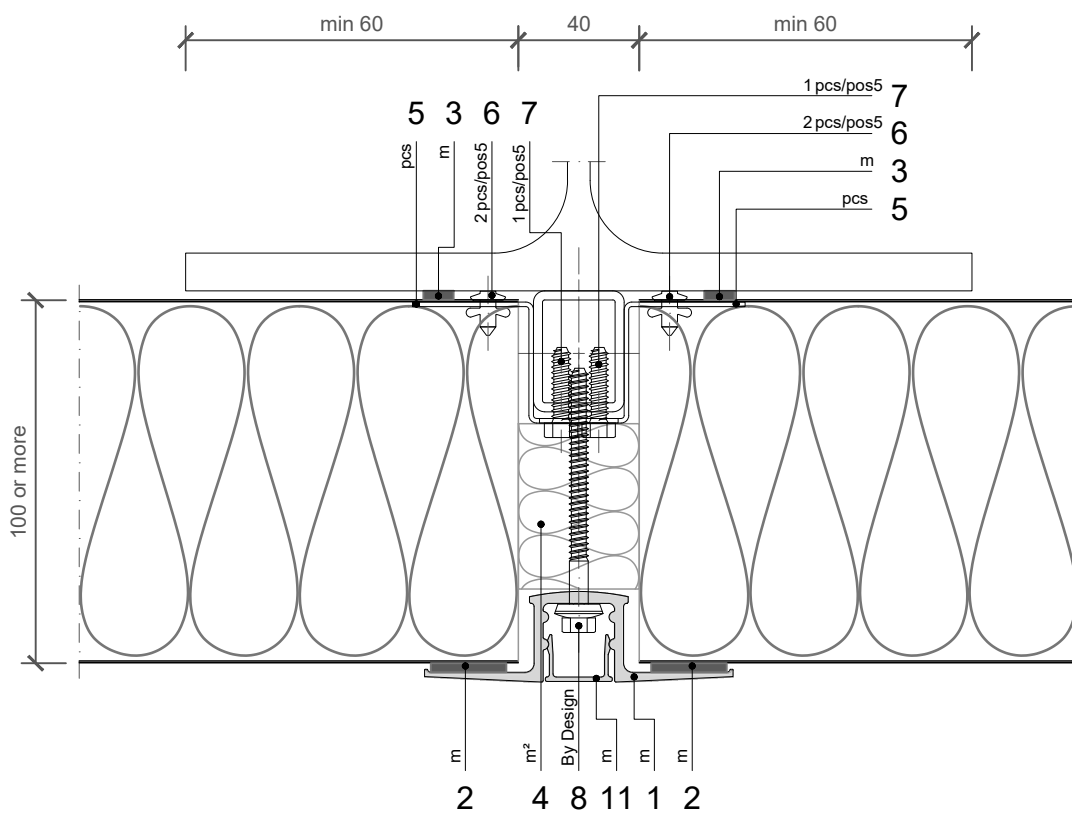
TRIMOTERM FTV

BUILDING APPLICATION

- External Facade
- Internal Wall
- Roof
- External Soffit
- Internal Ceiling
- Backing panel

HORIZONTAL CUT

Panel thickness = or > 100 mm



NOTE

- The dimension A of the profile drip flashing pos O1397 - see dwg. TE-H-01.03 - ELEMENTS 03) should be adjusted
- Prolongation - see dwg. TE-H-01.03 - ELEMENTS 02
- Installation mastic seal - see dwg. TE-H-01.03 - ELEMENTS 01

POS	CODE	ELEMENT	AMOUNT	UNIT
1	HF102/1	Fixing extrusion		m
2	30007460	Self adhesive sealing tape 6x25xL		m
3	30006985	Self adhesive sealing tape 5x10xL		m
4	30027144	Thermal insulation		m ²
5	N791	Fixing element	dwg	
6	K011	Bulb tite rivet 5,2xL		pcs
7	V300	Fixing screw		pcs
8	V120	Fixing screw	By Design	
11	HF102/2	Decorative extrusion		m

SCALE: M 1:2.5

JOINT 02

Trimo Group holds full copyrights on the information and details provided on this media, therefore any unauthorized reproduction and distribution is strictly prohibited.

HORIZONTAL INSTALLATION

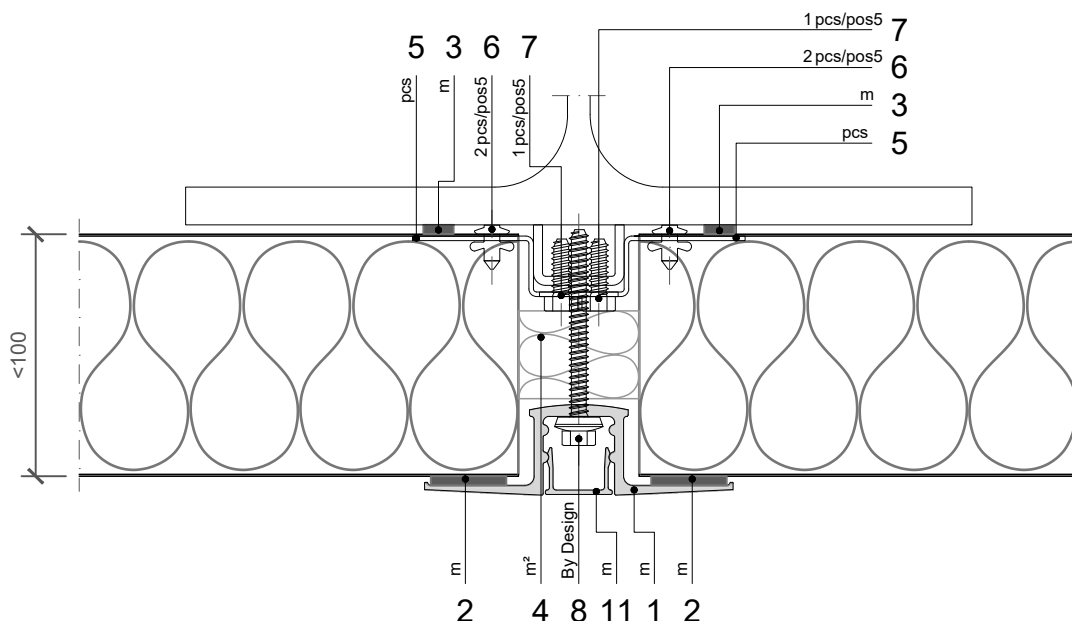
TRIMOTERM FTV

BUILDING APPLICATION

- External Facade
- Internal Wall
- Roof
- External Soffit
- Internal Ceiling
- Backing panel

HORIZONTAL CUT

Panel thickness < 100 mm



NOTE

- The dimension A of the profile drip flashing pos O1397 - see dwg. TE-H-01.03 - ELEMENTS 03) should be adjusted
- Prolongation - see dwg. TE-H-01.03 - ELEMENTS 02
- Installation mastic seal - see dwg. TE-H-01.03 - ELEMENTS 01

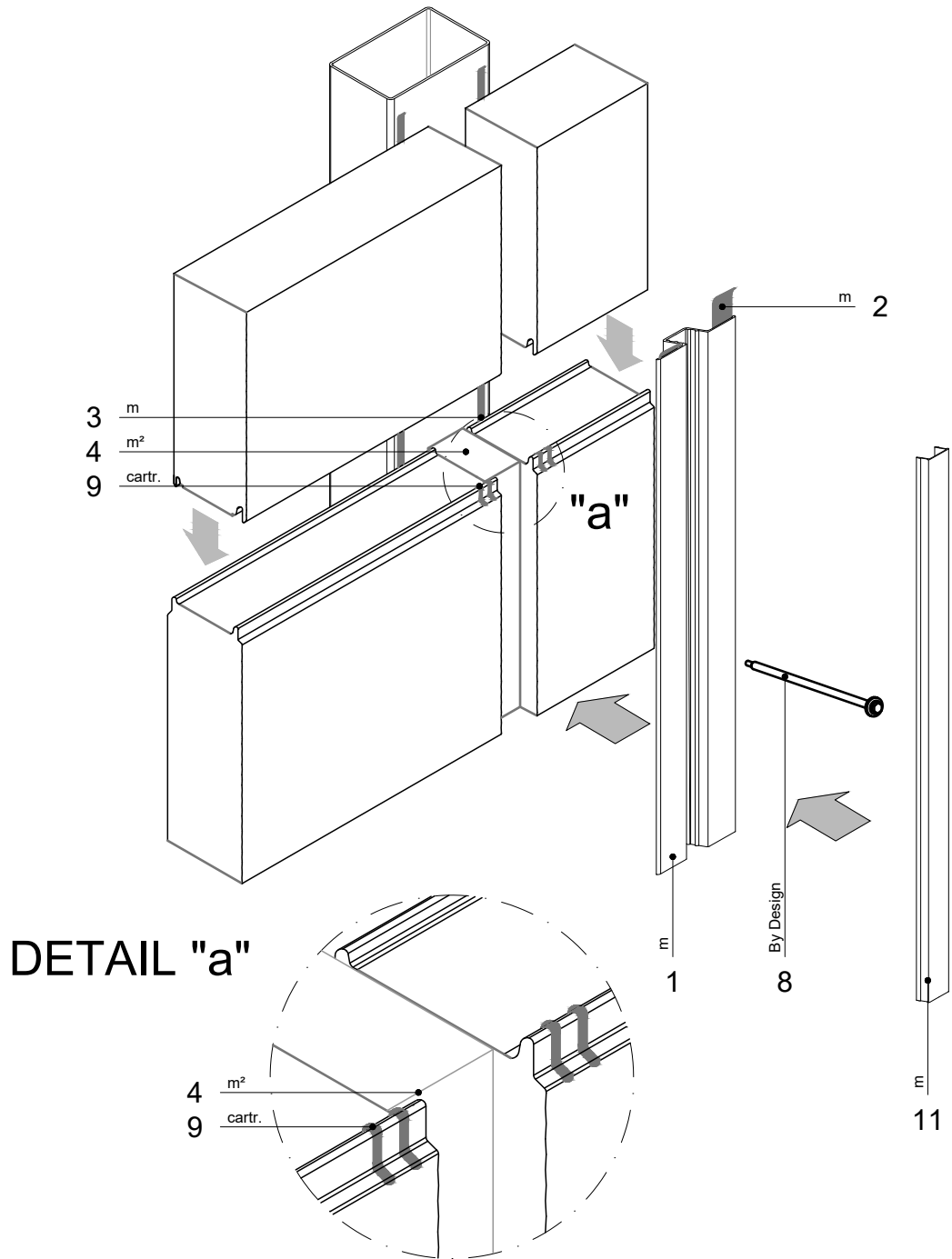
POS	CODE	ELEMENT	AMOUNT	UNIT
1	HF102/1	Fixing extrusion		m
2	30007460	Self adhesive sealing tape 6x25xL		m
3	30006985	Self adhesive sealing tape 5x10xL		m
4	30027144	Thermal insulation		m ²
5	N793	Fixing element	dwg	
6	K011	Bulb tite rivet 5,2xL		pcs
7	V300	Fixing screw		pcs
8	V120	Fixing screw	By Design	
11	HF102/2	Decorative extrusion		m

SCALE: M 1:2.5

JOINT 03

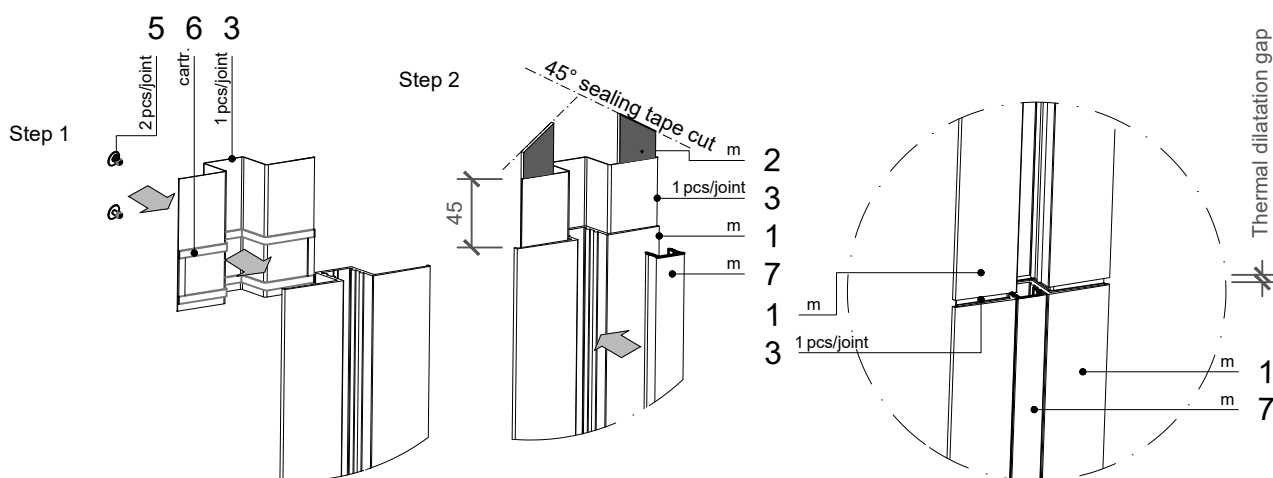
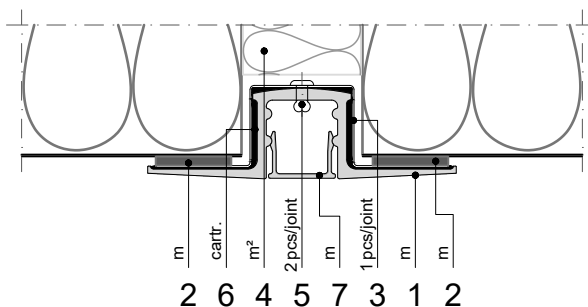
Trimo Group holds full copyrights on the information and details provided on this media, therefore any unauthorized reproduction and distribution is strictly prohibited.

INSTALLATION - MASTIC SEAL APPLICATION



POS	CODE	ELEMENT	AMOUNT	UNIT
1	HF102/1	Fixing extrusion		m
2	30007460	Self adhesive sealing tape 6x25xL		m
3	30006985	Self adhesive sealing tape 5x10xL		m
4	30027144	Thermal insulation		m ²
8	V120	Fixing screw	By Design	
9	30025810	Mastic sealant		cartr.
11	HF102/2	Decorative extrusion		m

INSTALLATION - PROLONGATION FLASHING APPLICATION



Step 1

- Apply the mastic seal (pos 6) in two longitudinal and transversal stripes on prolongation flashing (pos 3)
- Install prolongation flashing (pos 3) with mastic seal on the Alu profile (pos 1) and fix it with a rivet (pos 5)

Step 2

- Install the self adhesive sealing tape EPDM 6x25xL (pos 2) on inner side of the Alu fixing profile (pos 1)
- Prolongation of self adhesive sealing tape EPDM 6x25xL (pos 2) must be with angle of 45°

NOTE

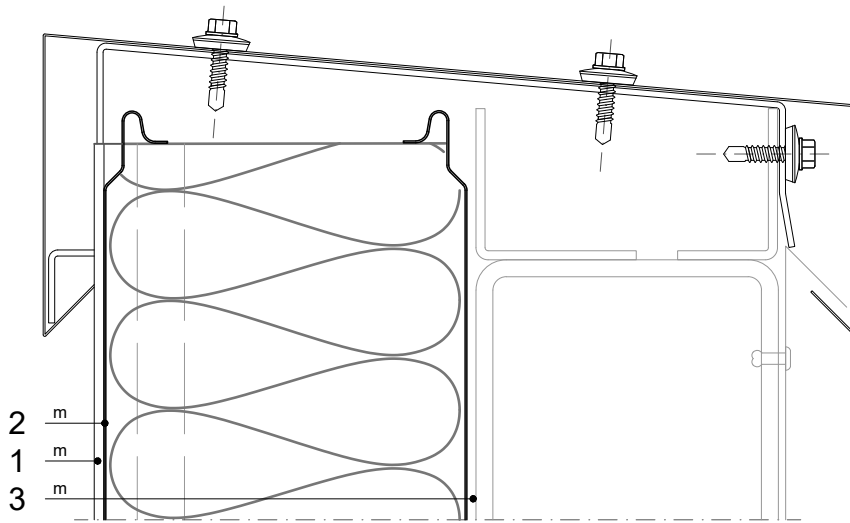
- Thermal dilatation gap on prolongation must be minimal 1 mm/1 m of profile +2 mm

POS	CODE	ELEMENT	AMOUNT	UNIT
1	HF102/1	Fixing extrusion		m
2	30007460	Self adhesive sealing tape 6x25xL		m
3	30031446	Prolongation flashing		m
4	30027144	Thermal insulation		m ²
5	4090393	Rivet 4x10		pcs
6	30025810	Mastic sealant		cartr.
7	HF102/2	Decorative extrusion		m

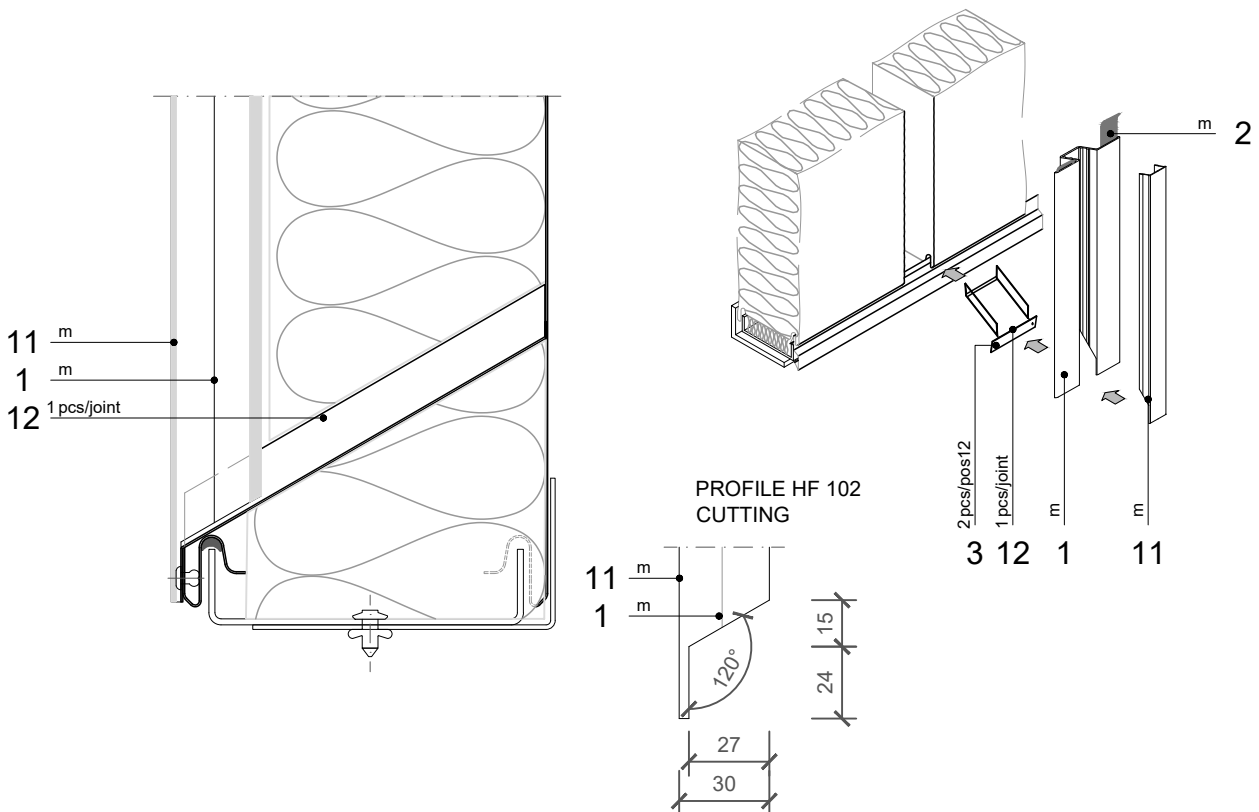
ELEMENTS 02

Trimo Group holds full copyrights on the information and details provided on this media, therefore any unauthorized reproduction and distribution is strictly prohibited.

INSTALLATION - ALU PROFILE MUST BE UNDER THE PARAPET CAP



INSTALLATION - BASE DETAIL



POS	CODE	ELEMENT	AMOUNT	UNIT
1	HF102/1	Fixing extrusion		m
2	30007460	Self adhesive sealing tape 6x25xL		m
3	4090393	Rivet 4x10		pcs
11	HF102/2	Decorative extrusion		m
12	O1397	Profile drip flashing		pcs

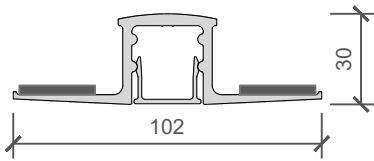
SCALE: M 1:2.5

ELEMENTS 03

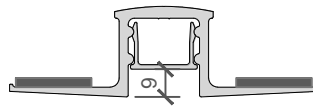
Trimo Group holds full copyrights on the information and details provided on this media, therefore any unauthorized reproduction and distribution is strictly prohibited.

ELEMENT_HF102_Fixing extrusion

OPTION 1

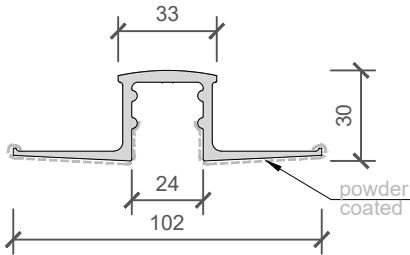


OPTION 2

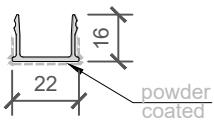


REFERENCE	
COLOUR	
LENGTH	
PIECES	

HF102/1_Fixing extrusion



HF102/2_Aluminium filler

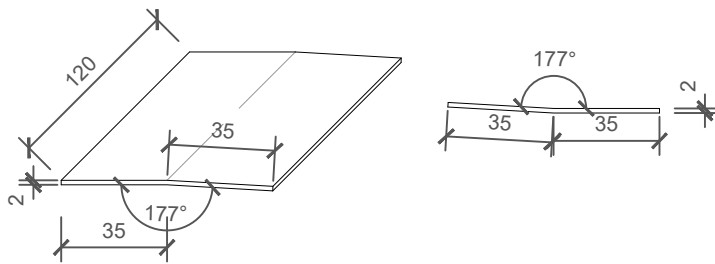


NOTES

material: EN AW-6060 T66
Lmax = 4000 mm (6000 mm)

ELEMENT_N032_Fixing element

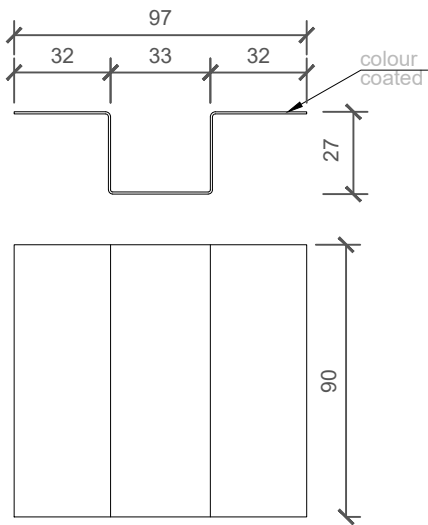
REFERENCE	
PIECES	



NOTES

material: Zinc - coated metal sheet
thickness [mm]: 1.5
sheet width [mm]: 70
folds: 1
L [mm] = 120

ELEMENT_30031446_Prolongation flashing

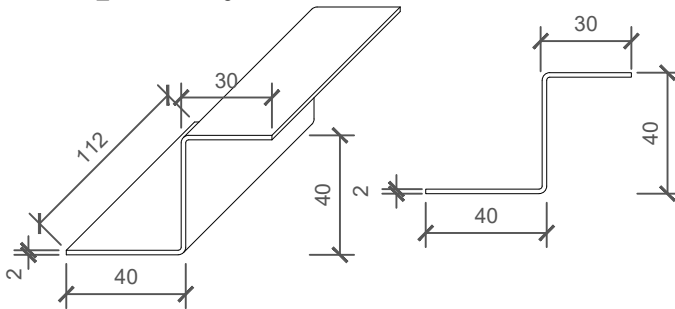


REFERENCE	
COLOUR	
PIECES	

NOTES

material: Galvanized metal sheet
 thickness [mm]: 0,7
 sheet width [mm]: 151
 folds: 4
 L [mm] = 90

ELEMENT_N791_Fixing element

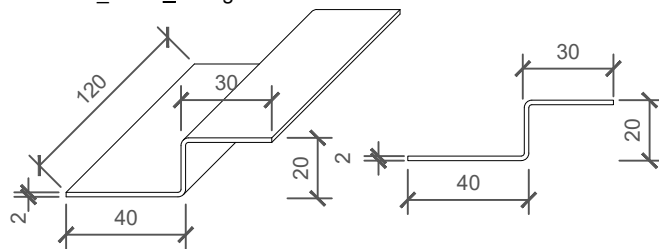


REFERENCE	
PIECES	

NOTES

material: Zinc - coated metal sheet
 thickness [mm]: 1.5
 sheet width [mm]: 104
 folds: 2
 L [mm] = 112

ELEMENT_N793_Fixing element



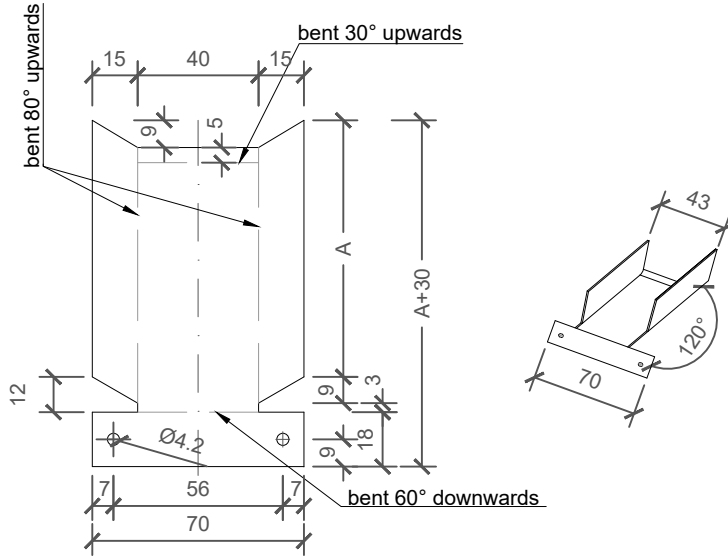
REFERENCE	
PIECES	

NOTES

material: Zinc - coated metal sheet
 thickness [mm]: 1.5
 sheet width [mm]: 84
 folds: 2
 L [mm] = 120

ELEMENT_ O1397_Profile drip flashing

PANEL THICKNESS	50	60	80	100	120	133	150	172	200	240	250
CODE	O1394	O1395	O1396	O1397	O1398	O1399	O1400	O1401	O1402	O1403	O1676
A	60	70	93	116	140	155	174	200	232	278	290
STEEL SHEET LENGTH (L)	90	100	123	146	170	185	204	230	262	308	320



REFERENCE	
PIECES	

NOTES

material: Stainless steel
 thickness [mm]: 0.6
 sheet width [mm]: 70
 folds: 4
 L = A+30

HORIZONTAL INSTALLATION

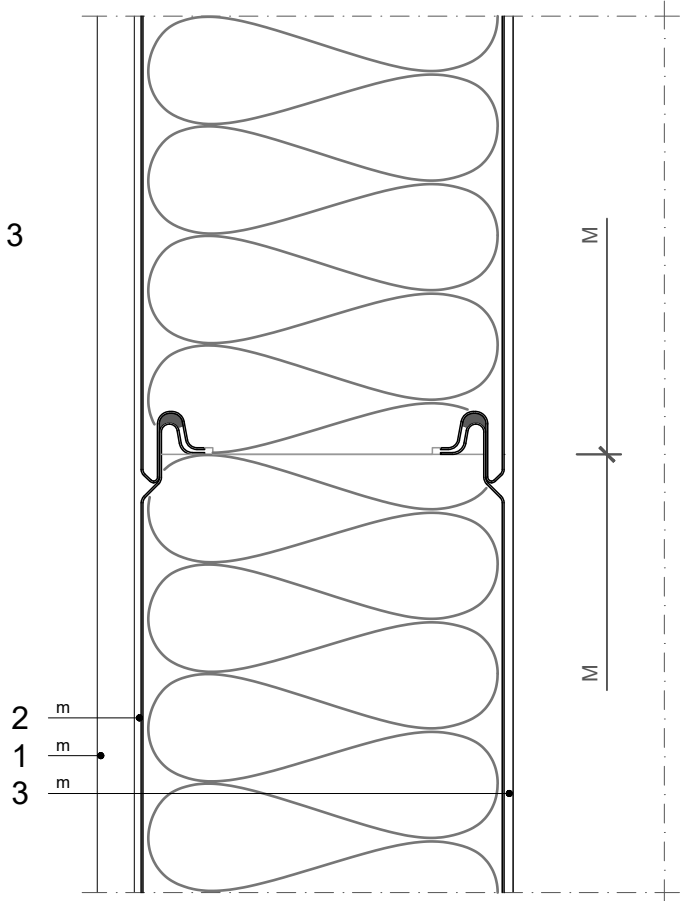
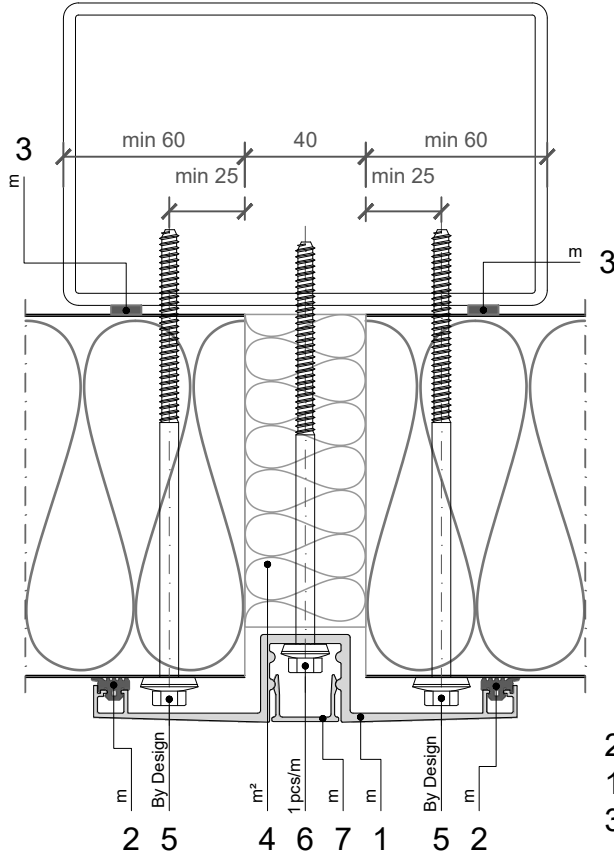
TRIMOTERM FTV

BUILDING APPLICATION

- External Facade
- Internal Wall
- Roof
- External Soffit
- Internal Ceiling
- Backing panel

HORIZONTAL CUT

VERTICAL CUT



NOTE

- The dimension A of the profile drip flashing pos O1397- see dwg. TE-H-01.04 - ELEMENTS 06) should be adjusted
- Prolongation - see dwg. TE-H-01.04 - ELEMENTS 03 and ELEMENTS 04
- Fixation and installation mastic seal - see dwg. TE-H-01.04 - ELEMENTS 01

POS	CODE	ELEMENT	AMOUNT	UNIT
1	HF140/1	Fixing extrusion		m
2	30023661	Gasket		m
3	30006985	Self adhesive sealing tape 5x10xL		m
4	30027144	Thermal insulation		m ²
5	V130	Fixing screw	By Design	
6	V120	Fixing screw		pcs
7	HF140/2	Decorative extrusion		m

SCALE: M 1:2.5

JOINT 01

Trimo Group holds full copyrights on the information and details provided on this media, therefore any unauthorized reproduction and distribution is strictly prohibited.

HORIZONTAL INSTALLATION

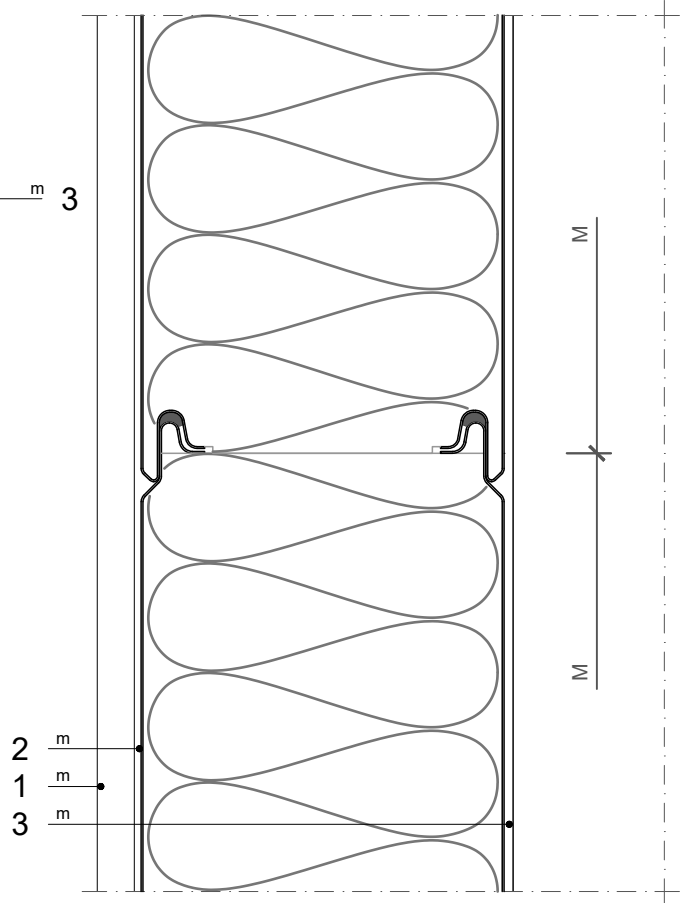
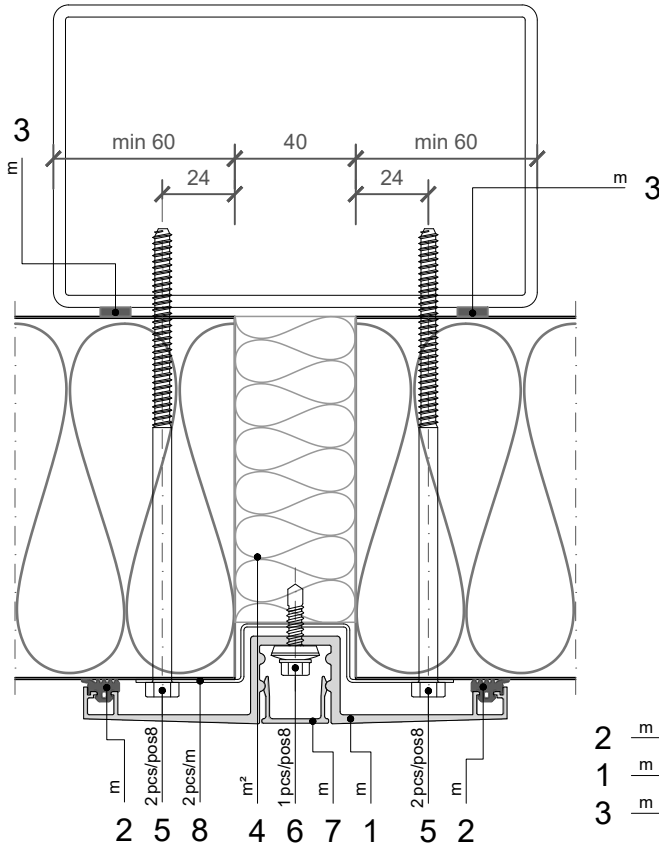
TRIMOTERM FTV

BUILDING APPLICATION

- External Facade
- Internal Wall
- Roof
- External Soffit
- Internal Ceiling
- Backing panel

HORIZONTAL CUT

VERTICAL CUT



NOTE

- The dimension A of the profile drip flashing pos O1397- see dwg. TE-H-01.04 - ELEMENTS 06) should be adjusted
- Prolongation - see dwg. TE-H-01.04 - ELEMENTS 03 and ELEMENTS 04
- Fixation and installation mastic seal - see dwg. TE-H-01.04 - ELEMENTS 02

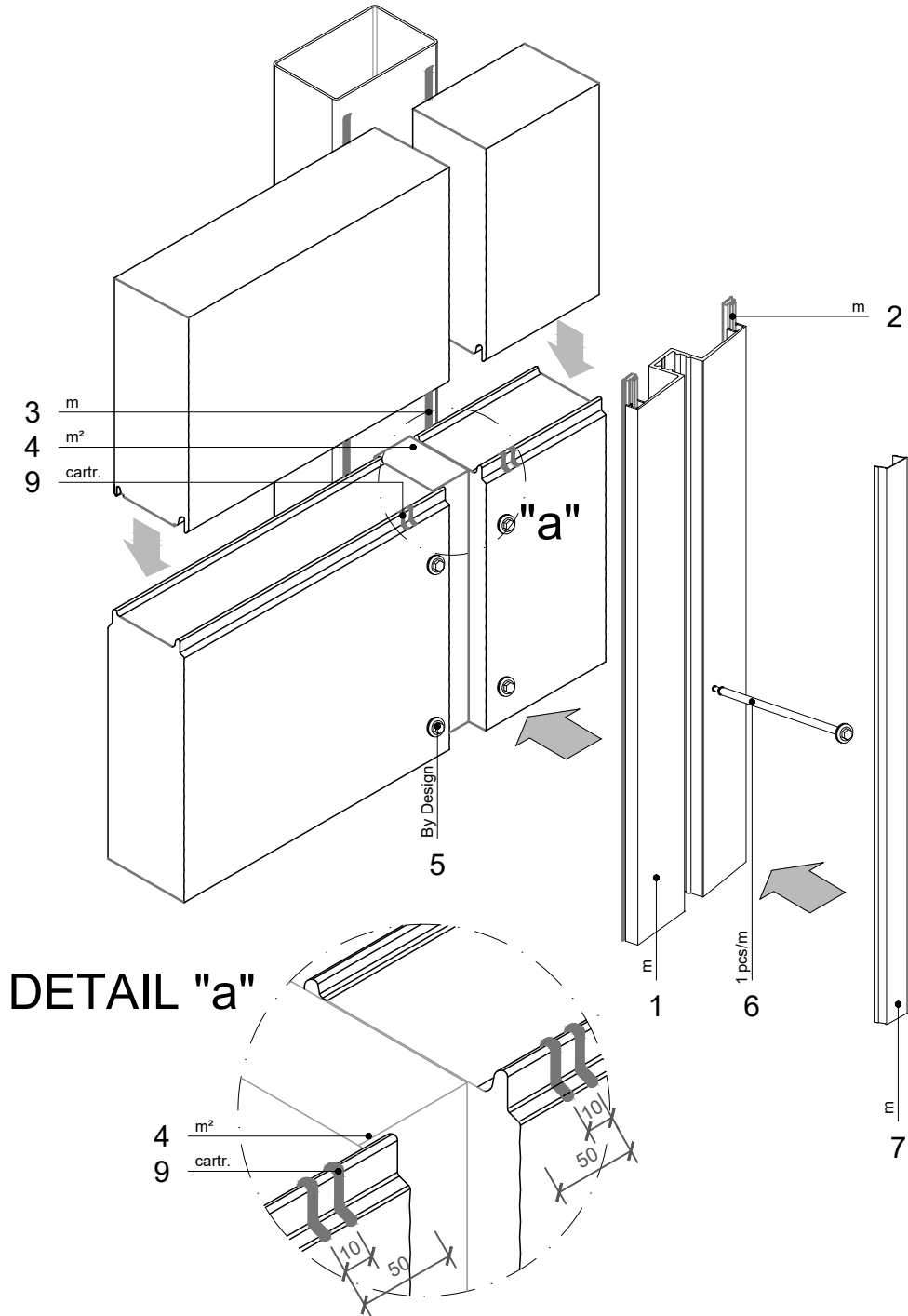
POS	CODE	ELEMENT	AMOUNT	UNIT
1	HF140/1	Aluminium fixing profile		m
2	30023661	Gasket		m
3	30006985	Self adhesive sealing tape 5x10xL		m
4	30027144	Thermal insulation		m ²
5	V100	Fixing screw		pcs
6	V220	Fixing screw		pcs
7	HF140/2	Decorative extrusion		m
8	N1283	Fixing profile		dwg

SCALE: M 1:2.5

JOINT 02

Trimo Group holds full copyrights on the information and details provided on this media, therefore any unauthorized reproduction and distribution is strictly prohibited.

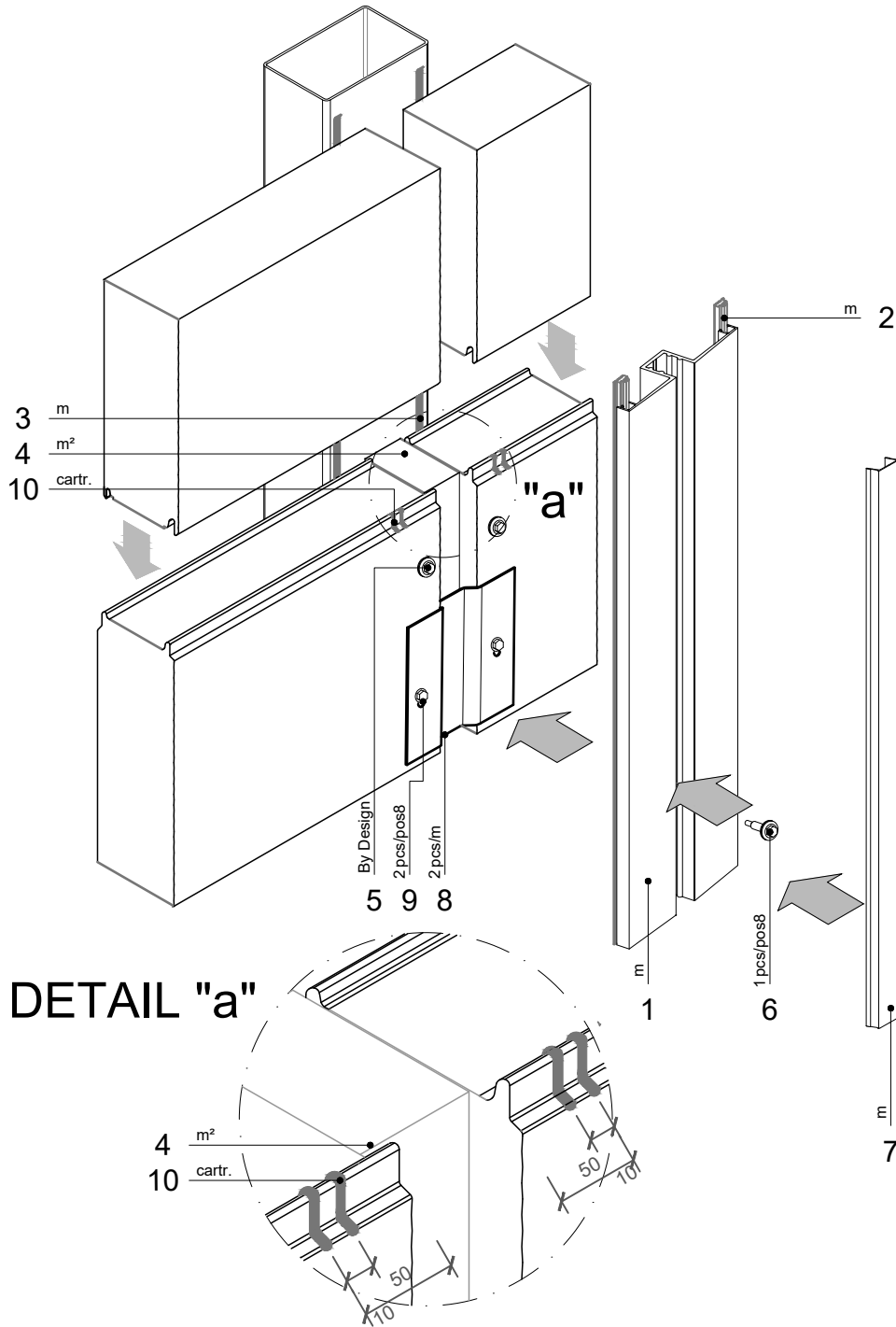
INSTALLATION - MASTIC SEAL APPLICATION - JOINT



POS	CODE	ELEMENT	AMOUNT	UNIT
1	HF140/1	Fixing extrusion		m
2	30023661	Gasket		m
3	30006985	Self adhesive sealing tape 5x10xL		m
4	30027144	Thermal insulation		m ²
5	V130	Fixing screw	By Design	
6	V120	Fixing screw		pcs
7	HF140/2	Decorative extrusion		m
9	30025810	Mastic sealant		cartr.

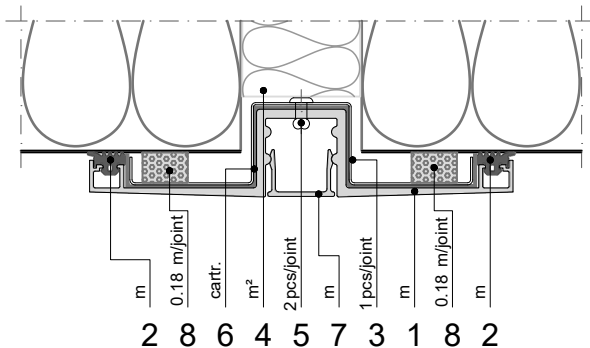
ELEMENTS 01

INSTALLATION - MASTIC SEAL APPLICATION - JOINT 01

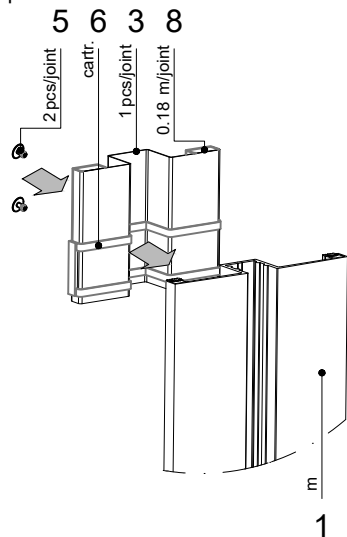


POS	CODE	ELEMENT	AMOUNT	UNIT
1	HF140/1	Fixing extrusion		m
2	30023661	Gasket		m
3	30006985	Self adhesive sealing tape 5x10xL		m
4	30027144	Thermal insulation		m ²
5	V130	Fixing screw	By Design	
6	V220	Fixing screw		pcs
7	HF140/2	Decorative extrusion		m
8	N1283	Fixing profile	dwg	
9	V100	Fixing screw		pcs
10	30025810	Mastic sealant		cartr.

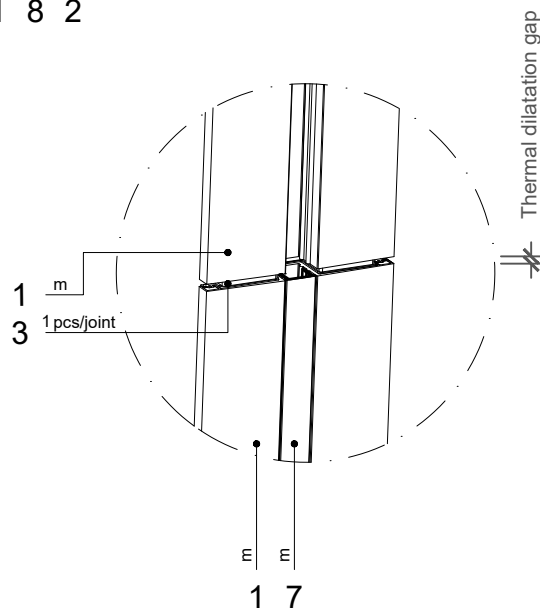
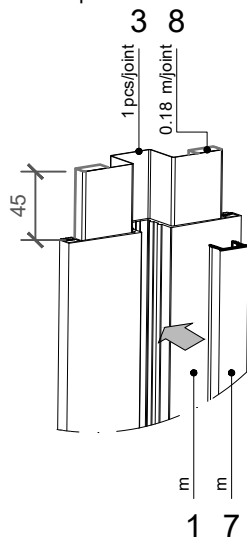
INSTALLATION - PROLONGATION FLASHING APPLICATION



Step 1



Step 2



Step 1

- Apply the mastic seal (pos 6) in two longitudinal and transversal stripes on prolongation flashing (pos 3)
- Install prolongation flashing (pos 3) with mastic seal on the Alu profile (pos 1) and fix it with a rivet (pos 5)
- Install the self adhesive pre-compressed sealing tape (pos 4) on inner side of the prolongation flashing (pos 3)

Step 2

- Holes around EPDM gasket (pos 2) must be filled with mastic seal (pos 6)

NOTE

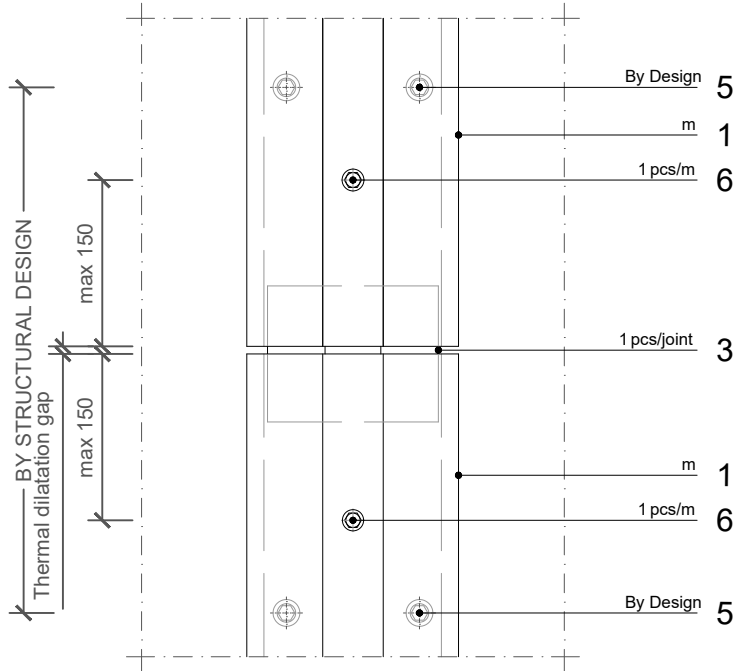
- Thermal dilatation gap on prolongation must be minimal 1 mm/1 m of profile +2 mm

POS	CODE	ELEMENT	AMOUNT	UNIT
1	HF140/1	Fixing extrusion		m
2	30023661	Gasket		m
3	30028904	Prolongation flashing		pcs
4	30027144	Thermal insulation		m ²
5	4090393	Rivet 4x10		pcs
6	30025810	Mastic sealant		cartr.
7	HF140/2	Decorative extrusion		m
8	30028072	Self adhesive pre-compressed sealing tape		m

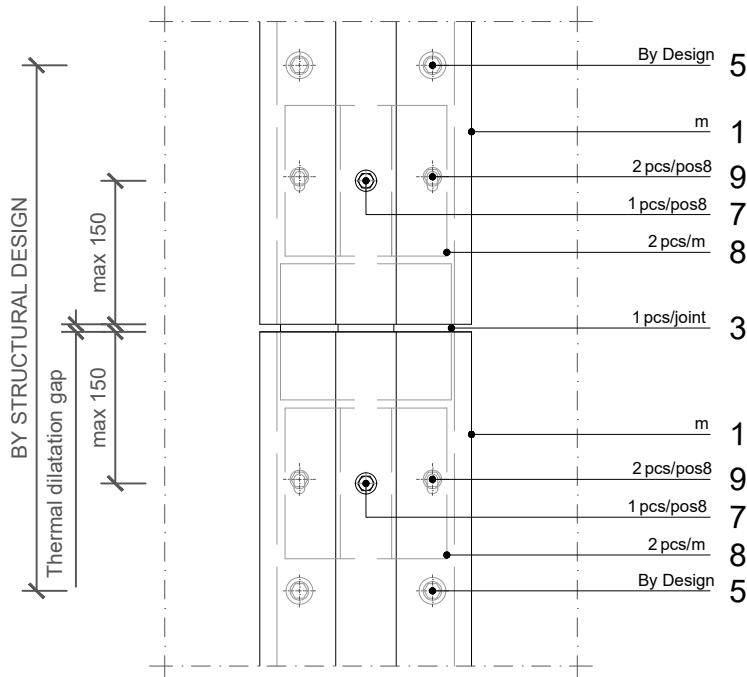
ELEMENTS 03

Trimo Group holds full copyrights on the information and details provided on this media, therefore any unauthorized reproduction and distribution is strictly prohibited.

INSTALLATION - HF14 PROLONGATION - JOINT

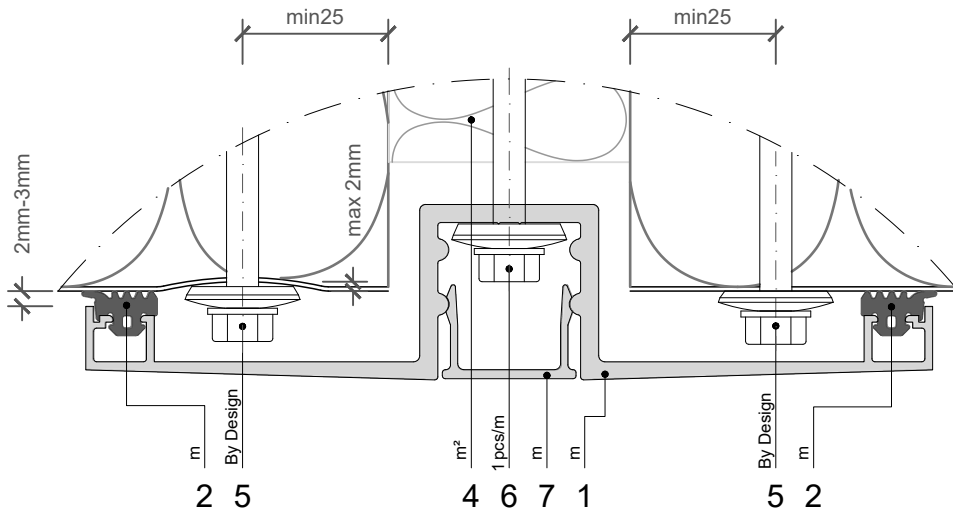


INSTALLATION - HF14 PROLONGATION - JOINT 01



POS	CODE	ELEMENT	AMOUNT	UNIT
1	HF140/1	Fixing extrusion		m
3	30028904	Prolongation flashing		pcs
5	V130	Fixing screw	By Design	
6	V120	Fixing screw		pcs
7	V220	Fixing screw		pcs
8	N1283	Fixing profile		pcs
9	V100	Fixing screw		pcs

INSTALLATION - FIXATION TOLERANCES

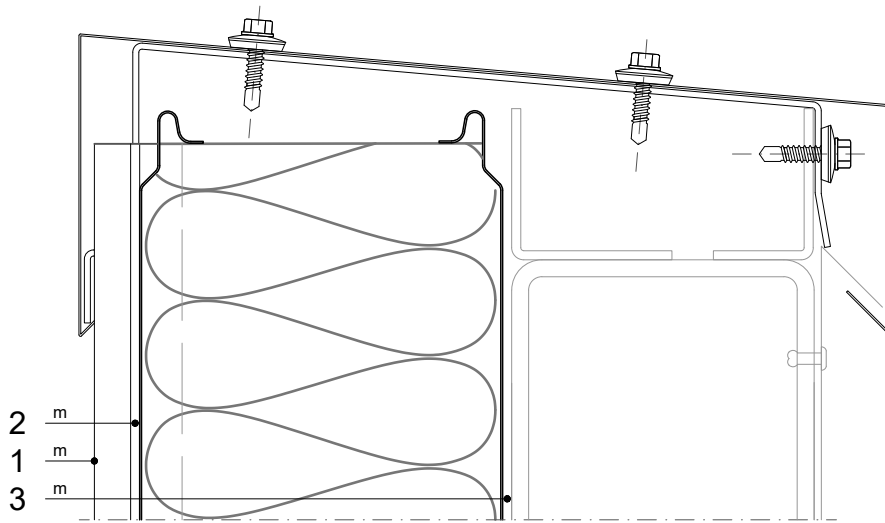


NOTE

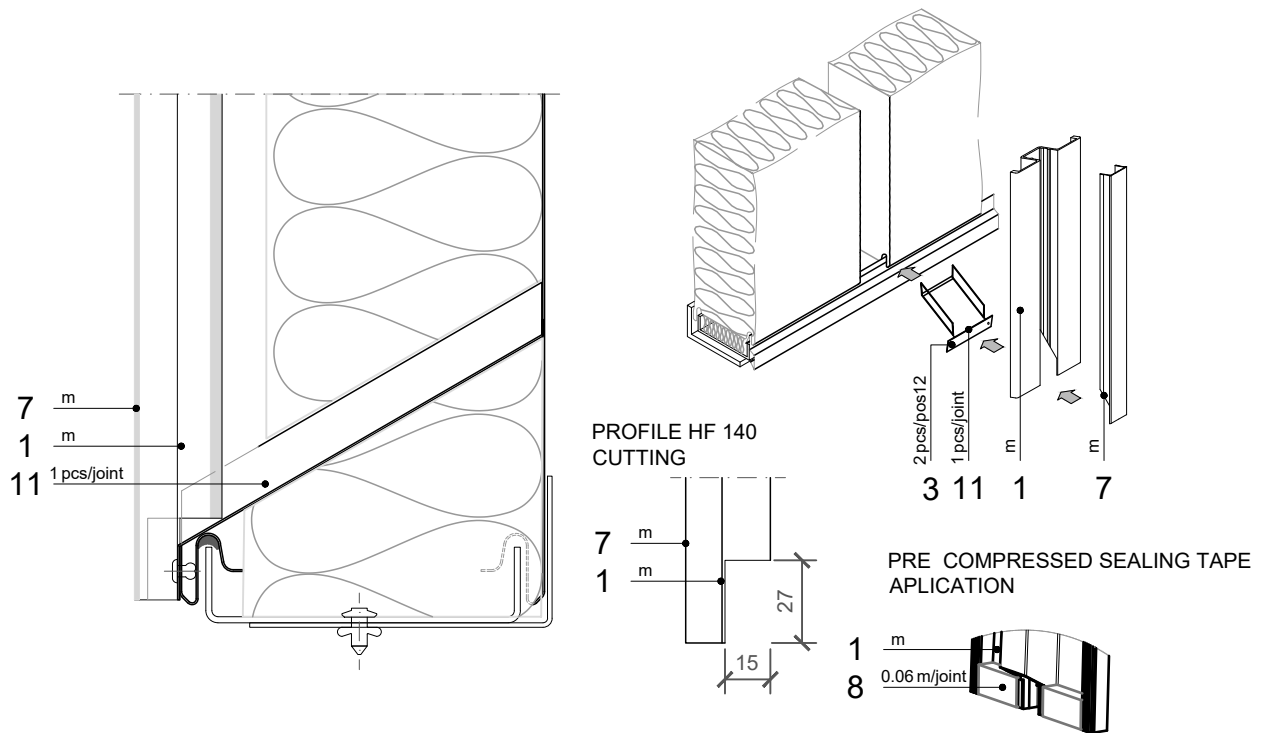
- Allowed distance between Alu profile and panel surface is 2 to 3 mm to insure sufficient water tightness
- Allowed deformation on panel surface under screw is max 2 mm

POS	CODE	ELEMENT	AMOUNT	UNIT
1	HF140/1	Fixing extrusion		m
2	30023661	Gasket		m
5	V130	Fixing screw	By Design	
6	V120	Fixing screw		pcs
7	HF140/2	Decorative extrusion		m

INSTALLATION - ALU PROFILE MUST BE UNDER THE PARAPET CAP



INSTALLATION - BASE DETAIL



POS	CODE	ELEMENT	AMOUNT	UNIT
1	HF140/1	Fixing extrusion		m
2	30023661	Gasket		m
3	4090393	Rivet 4x10		pcs
7	HF140/2	Decorative extrusion		m
8	30028072	Self adhesive pre-compressed sealing tape		m
11	O1397	Profile drip flashing		pcs

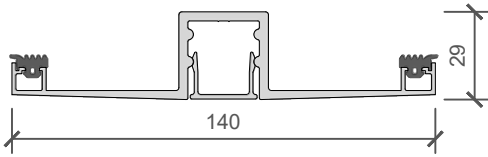
SCALE: M 1:2.5

ELEMENTS 06

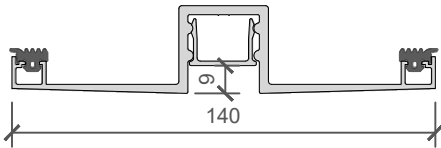
Trimo Group holds full copyrights on the information and details provided on this media, therefore any unauthorized reproduction and distribution is strictly prohibited.

ELEMENT_ HF140/1_Fixing extrusion

OPTION 1

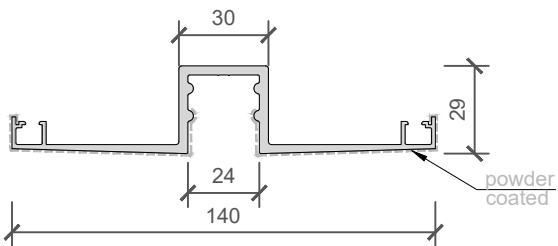


OPTION 2

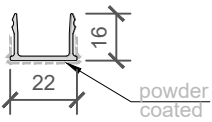


REFERENCE	
COLOUR	
LENGTH	
PIECES	

HF140/1_Fixing extrusion



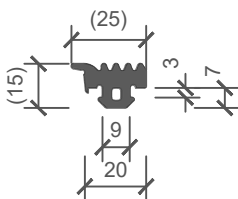
HF140/2_Decorative extrusion



NOTES

material: EN AW-6060 T66
Lmax = 4000 mm (6000 mm)

30023661_EPDM gasket

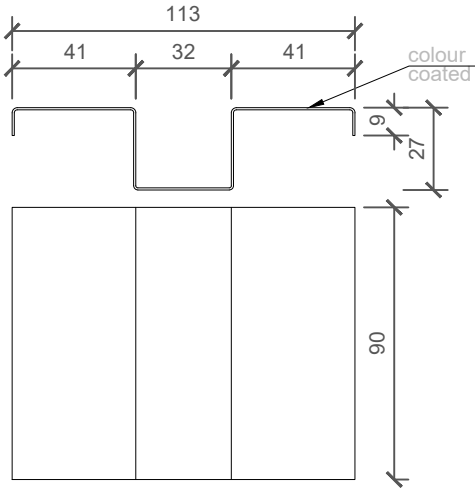


NOTES

material: EPDM

REFERENCE	
LENGTH	
PIECES	

ELEMENT_30028904_Prolongation flashing

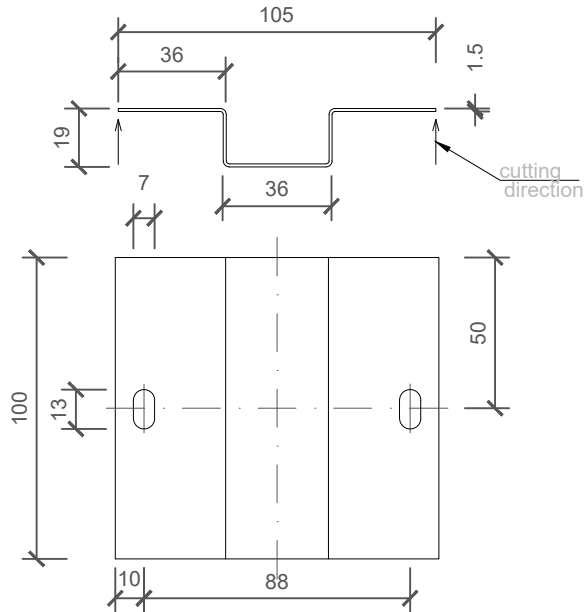


REFERENCE	
COLOUR	
PIECES	

NOTES

material: Galvanized metal sheet
 thickness [mm]: 0.7
 sheet width [mm]: 186
 folds: 6
 L [mm] = 90

ELEMENT_N1283_Fixing profile



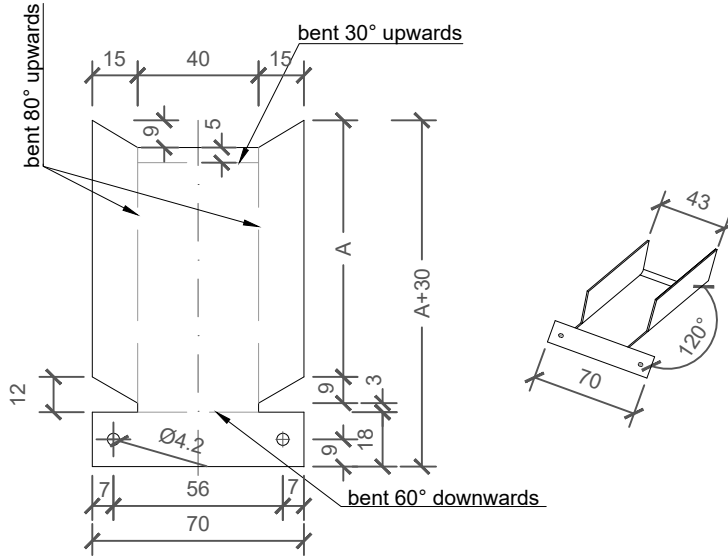
REFERENCE	
PIECES	

NOTES

material: Zinc - coated metal sheet
 thickness [mm]: 1.5
 sheet width [mm]: 131
 folds: 4
 L [mm] = 100

ELEMENT_ O1397_Profile drip flashing

PANEL THICKNESS	50	60	80	100	120	133	150	172	200	240	250
CODE	O1394	O1395	O1396	O1397	O1398	O1399	O1400	O1401	O1402	O1403	O1676
A	60	70	93	116	140	155	174	200	232	278	290
STEEL SHEET LENGTH (L)	90	100	123	146	170	185	204	230	262	308	320



REFERENCE	
PIECES	

NOTES
 material: Stainless steel
 thickness [mm]: 0.6
 sheet width [mm]: 70
 folds: 4
 L = A+30

HORIZONTAL INSTALLATION

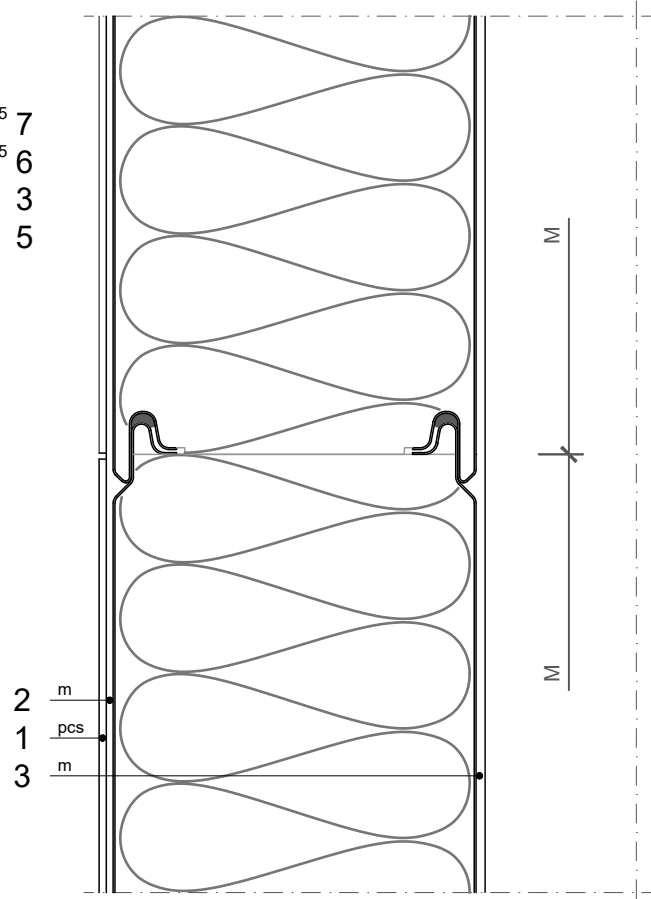
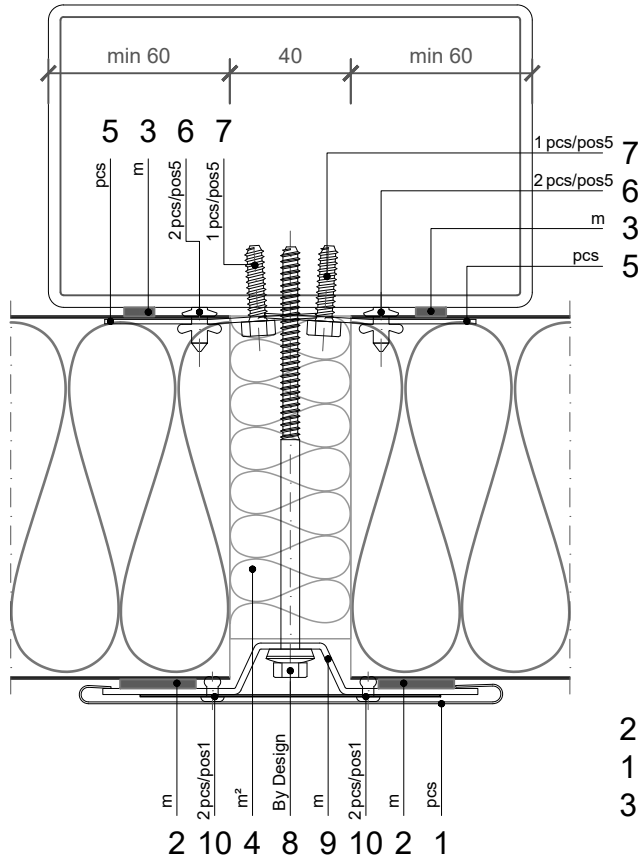
TRIMOTERM FTV

BUILDING APPLICATION

- External Facade
- Internal Wall
- Roof
- External Soffit
- Internal Ceiling
- Backing panel

HORIZONTAL CUT

VERTICAL CUT



NOTE

- Installation - see dwg. TE-H-01.05 - ELEMENTS 01
- Installation mastic seal - see dwg. TE-H-01.01 - ELEMENTS 01

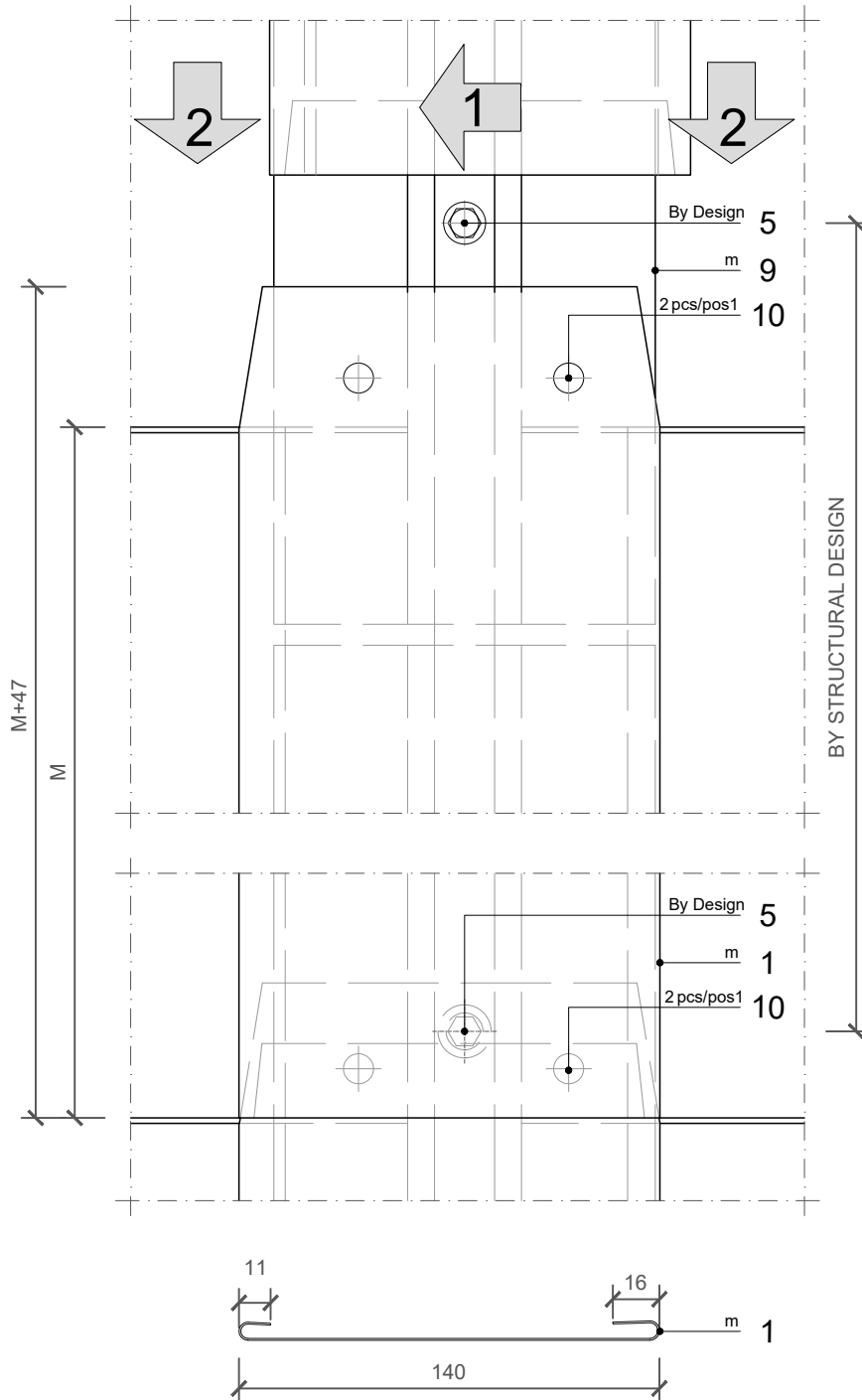
POS	CODE	ELEMENT	AMOUNT	UNIT
1	O652	Joint flashing	dwg	
2	30007460	Self adhesive sealing tape 6x25xL		m
3	30006985	Self adhesive sealing tape 5x10xL		m
4	30027144	Thermal insulation		m ²
5	N032	Fixing element	dwg	
6	K011	Bulb tite rivet 5,2xL		pcs
7	V300	Fixing screw		pcs
8	V120	Fixing screw	By Design	
9	N191	Fixing profile		m
10	K001	Rivet 4xL		pcs

SCALE: M 1:2.5

JOINT 01

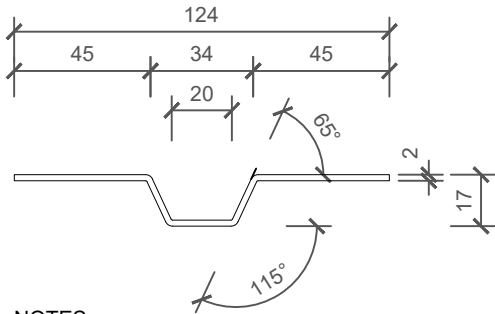
Trimo Group holds full copyrights on the information and details provided on this media, therefore any unauthorized reproduction and distribution is strictly prohibited.

INSTALLATION



POS	CODE	ELEMENT	AMOUNT	UNIT
1	O652	Joint flashing	dwg	
5	V120	Fixing screw	By Design	
3	30006985	Self adhesive sealing tape 5x10xL		m
9	N191	Fixing profile	dwg	
10	K001	Rivet 4xL		pcs

ELEMENT_N191_Fixing profile

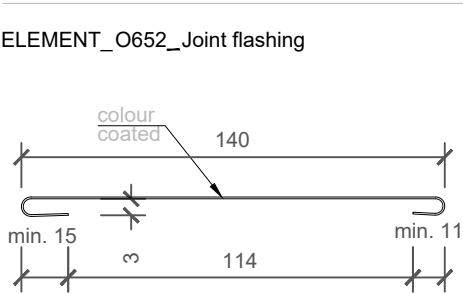


REFERENCE	
LENGTH	
PIECES	

NOTES

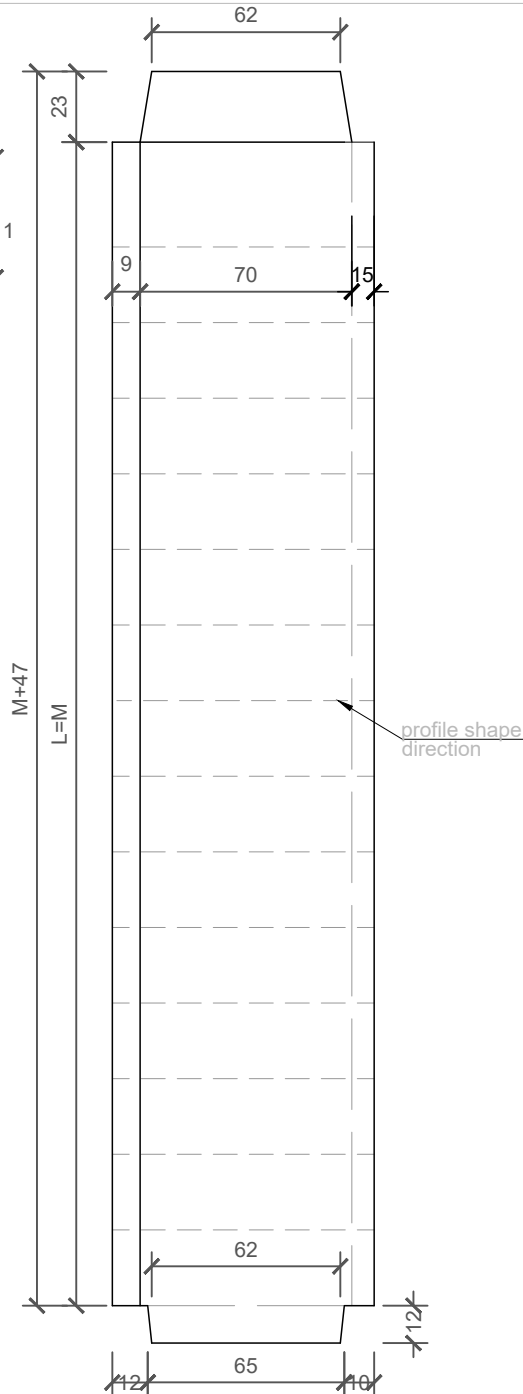
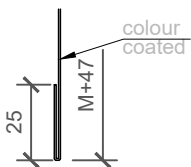
material: Zinc - coated metal sheet
 thickness [mm]: 2.0
 sheet width [mm]: 128
 folds: 4
 Lmax [mm] = 4000

ELEMENT_O652_Joint flashing



REFERENCE	
COLOUR	
LENGTH	
PIECES	

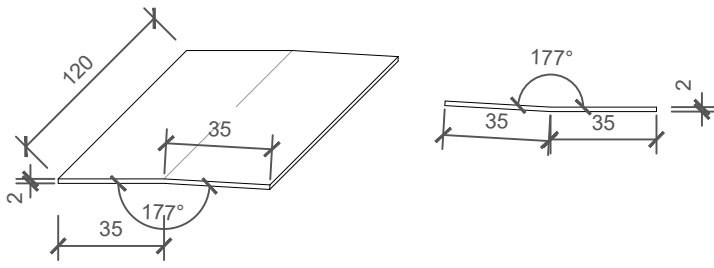
Lower edge



NOTES

material: Colored metal sheet
 thickness [mm]: 0,6
 sheet width [mm]: 169
 folds: 5
 L [mm] = M+47

ELEMENT_N032_Fixing element



REFERENCE	
PIECES	

NOTES
 material: Zinc - coated metal sheet
 thickness [mm]: 1.5
 sheet width [mm]: 70
 folds: 1
 L [mm] = 120

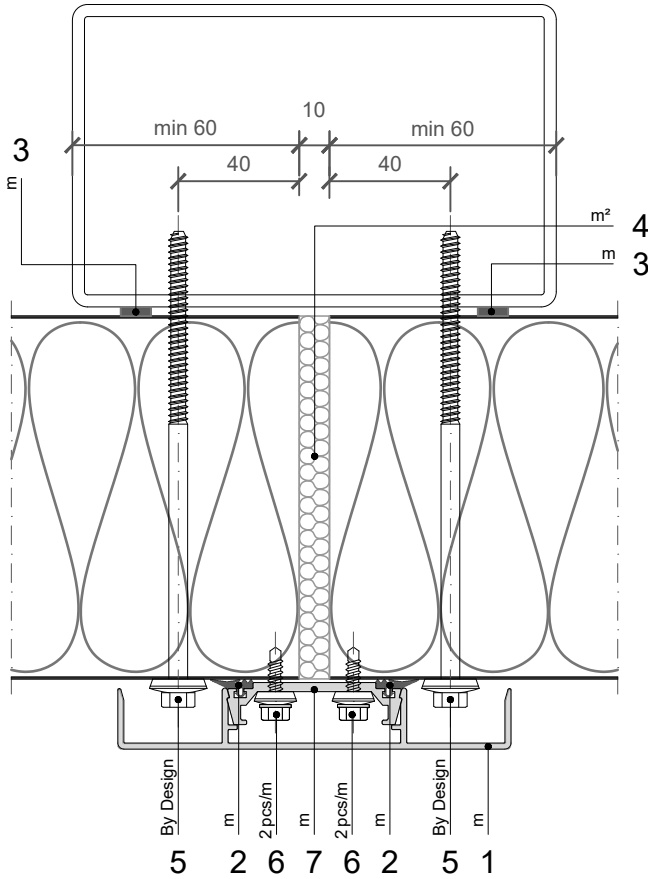
HORIZONTAL INSTALLATION

TRIMOTERM FTV

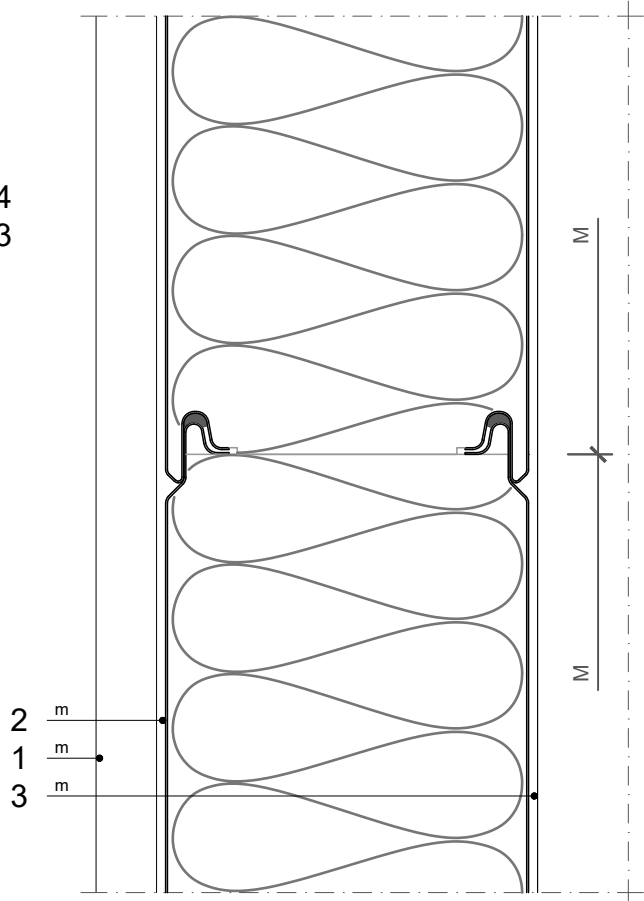
BUILDING APPLICATION

- External Facade
- Internal Wall
- Roof
- External Soffit
- Internal Ceiling
- Backing panel

HORIZONTAL CUT



VERTICAL CUT



NOTE

- Prolongation and fixation - see dwg. TE-H-01.06 - ELEMENTS 01
- Installation mastic seal - see dwg. TE-H-01.01 - ELEMENTS 01

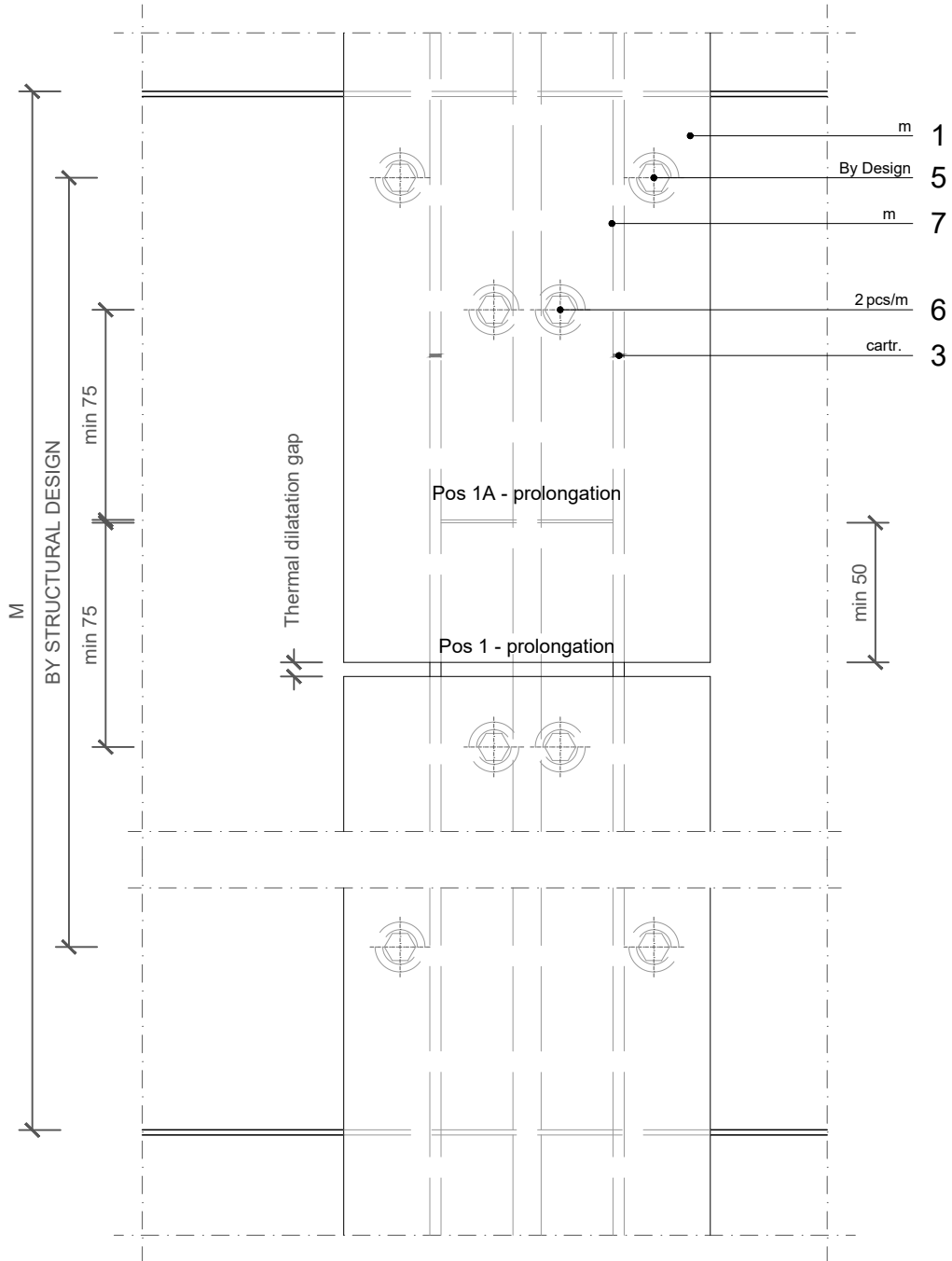
POS	CODE	ELEMENT	AMOUNT	UNIT
1	HF4/1	Decorative extrusion		m
2	5017628	Gasket		m
3	30006985	Self adhesive sealing tape 5x10xL		m
4	30027144	Thermal insulation		m ²
5	V130	Fixing screw	By Design	
6	V210	Fixing screw		pcs
7	HF4/2	Aluminium fixing profile		m

SCALE: M 1:2.5

JOINT 01

Trimo Group holds full copyrights on the information and details provided on this media, therefore any unauthorized reproduction and distribution is strictly prohibited.

PROLONGATION



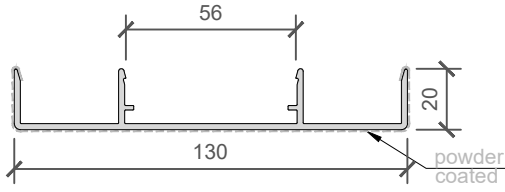
NOTE

- Thermal dilatation gap on prolongation must be minimal 1 mm/1 m of profile +2 mm

POS	CODE	ELEMENT	AMOUNT	UNIT
1	HF4/1	Decorative extrusion		m
3	30025810	Mastic sealant		cartr.
5	V130	Fixing screw	By Design	
6	V210	Fixing screw		pcs
7	HF4/2	Aluminium fixing profile		m

ELEMENT_HF4/1_Decorative extrusion

HF4/1_Cover profile

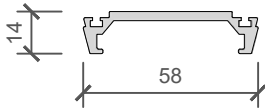


REFERENCE	
COLOUR	
LENGTH	
PIECES	

NOTES

material: ALU
Lmax = 4000 mm (6000 mm)

HF4/2_Fixing extrusion

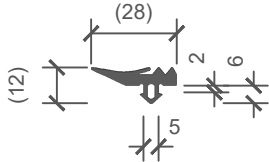


REFERENCE	
LENGTH	
PIECES	

NOTES

material: ALU
Lmax = 4000 mm (6000 mm)

5017628_EPDM gasket



REFERENCE	
LENGTH	
PIECES	

NOTES

material: EPDM

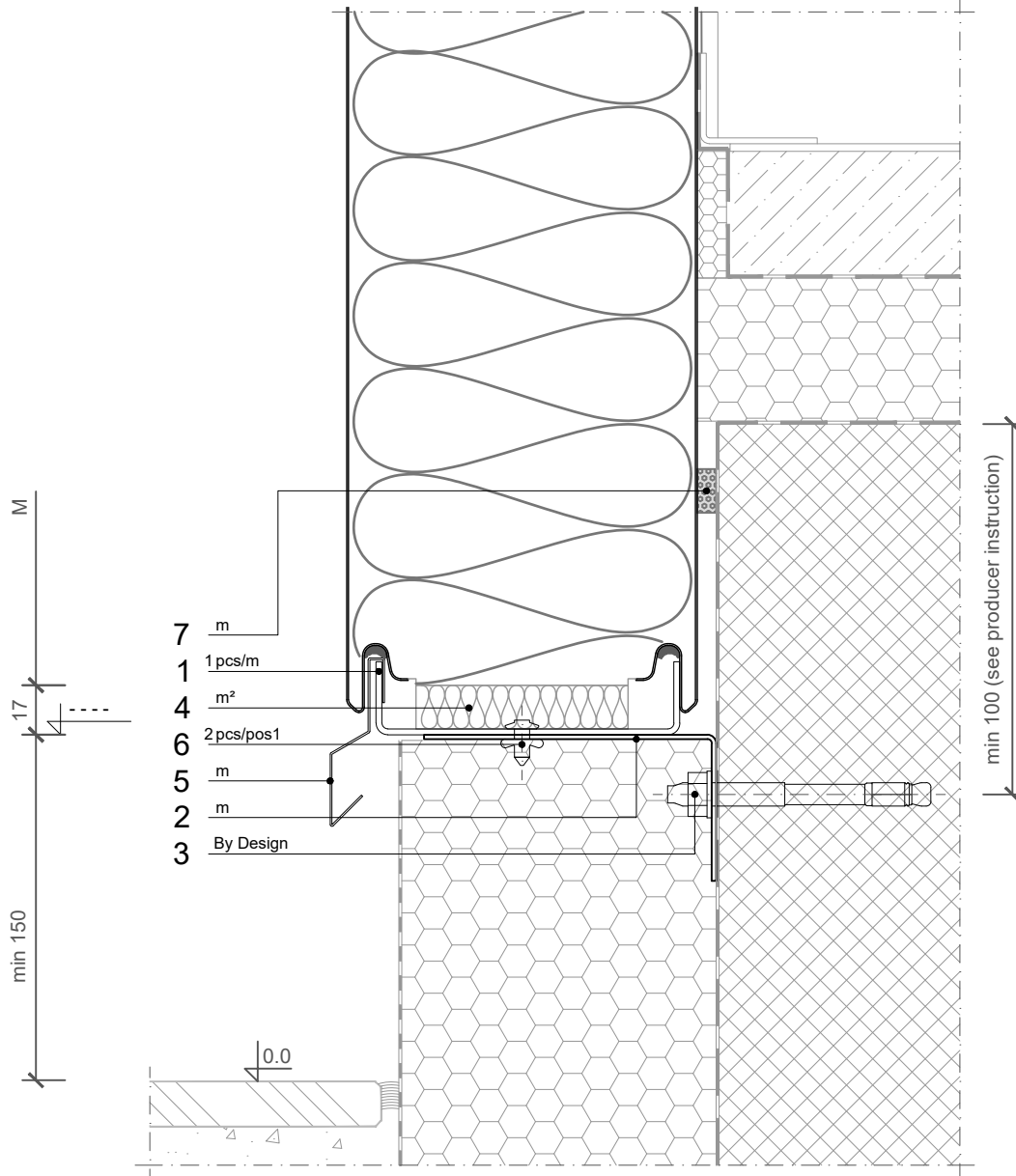
HORIZONTAL INSTALLATION

TRIMOTERM FTV

BUILDING APPLICATION

- External Facade
- Internal Wall
- Roof
- External Soffit
- Internal Ceiling
- Backing panel

VERTICAL CUT



NOTE

- The flashing is to be fitted by a 50 mm overlap.

POS	CODE	ELEMENT	AMOUNT	UNIT
1	N005	Panel support profile	dwg	
2	N014	Support profile	dwg	
3	S001	Anchor screw	By Design	
4	30027144	Thermal insulation		m ²
5	O001	Drip flashing	dwg	
6	K011	Bulb tite rivet 5,2xL		pcs
7	30028072	Self adhesive pre-compressed sealing tape		m

SCALE: M 1:2.5

BASE 01

Trimo Group holds full copyrights on the information and details provided on this media, therefore any unauthorized reproduction and distribution is strictly prohibited.

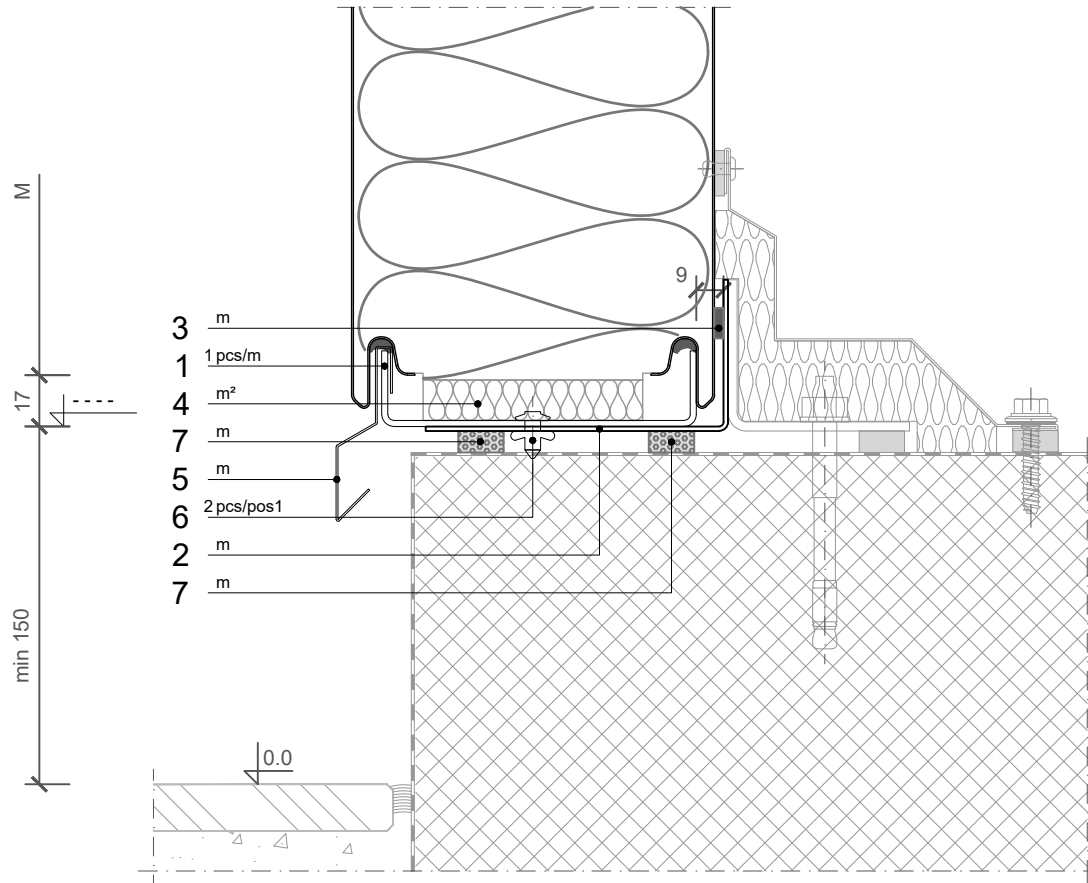
HORIZONTAL INSTALLATION

TRIMOTERM FTV

BUILDING APPLICATION

- External Facade
- Internal Wall
- Roof
- External Soffit
- Internal Ceiling
- Backing panel

VERTICAL CUT



NOTE

- The flashing is to be fitted by a 50 mm overlap.

POS	CODE	ELEMENT	AMOUNT	UNIT
1	N005	Panel support profile	dwg	
2	N014	Support profile	dwg	
3	30006985	Self adhesive sealing tape 5x10xL		m
4	30027144	Thermal insulation		m ²
5	O001	Drip flashing	dwg	
6	K011	Bulb tite rivet 5,2xL		pcs
7	30028072	Self adhesive pre-compressed sealing tape		m

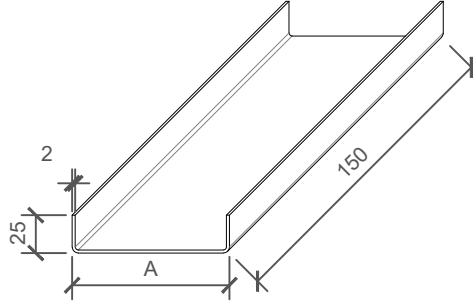
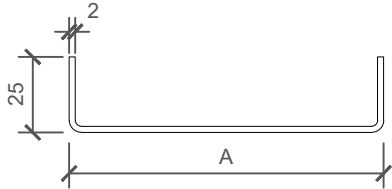
SCALE: M 1:2.5

BASE 02

Trimo Group holds full copyrights on the information and details provided on this media, therefore any unauthorized reproduction and distribution is strictly prohibited.

ELEMENT_ N005_Panel support profile

PANEL THICKNESS	50	60	80	100	120	133	150	172	200	240	250
CODE	N0001	N0002	N0003	N0004	N0005	N0006	N0007	N0008	N0009	N0010	N0011
A	34	44	64	84	104	117	134	156	184	224	234
STEEL SHEET WIDTH	76	86	106	126	146	159	176	198	226	266	276



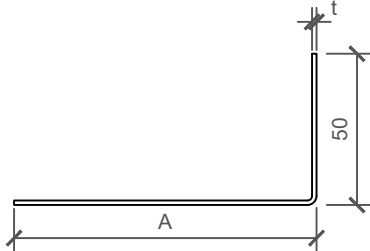
REFERENCE	
A	0
SHEET WIDTH	42
PIECES	

NOTES

material: Zinc - coated metal sheet
 thickness [mm]: 2
 sheet width [mm]: 42+A
 folds: 2
 L [mm] = 150

ELEMENT_ N014_Support profile

PANEL THICKNESS	50	60	80	100	120	133	150	172	200	240	250
CODE	N0013	N0014	N0015	N0016	N0017	N0018	N0019	N0020	N0021	N0022	N0023
A	30	40	60	80	100	113	130	152	180	220	230
t	1,5	1,5	1,5	1,5	1,5	2	2	2	2	2	2
STEEL SHEET WIDTH	77	87	107	127	147	159	176	198	226	266	276

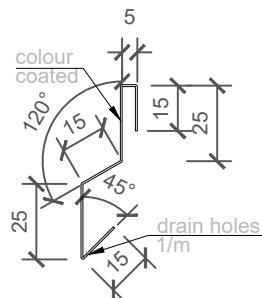


REFERENCE	
A	0
t	0.0
SHEET WIDTH	50
LENGTH	
PIECES	

NOTES

material: Zinc - coated metal sheet
 thickness [mm]: t
 sheet width [mm]: 50-2t+A
 folds: 1
 Lmax [mm] = 4000
 option: powder coated

ELEMENT_ O001_Drip flashing



REFERENCE	
COLOUR	
LENGTH	
PIECES	

NOTES

material: Colored metal sheet
 thickness [mm]: 0,6
 sheet width [mm]: 100
 folds: 5
 Lmax [mm] = 6000

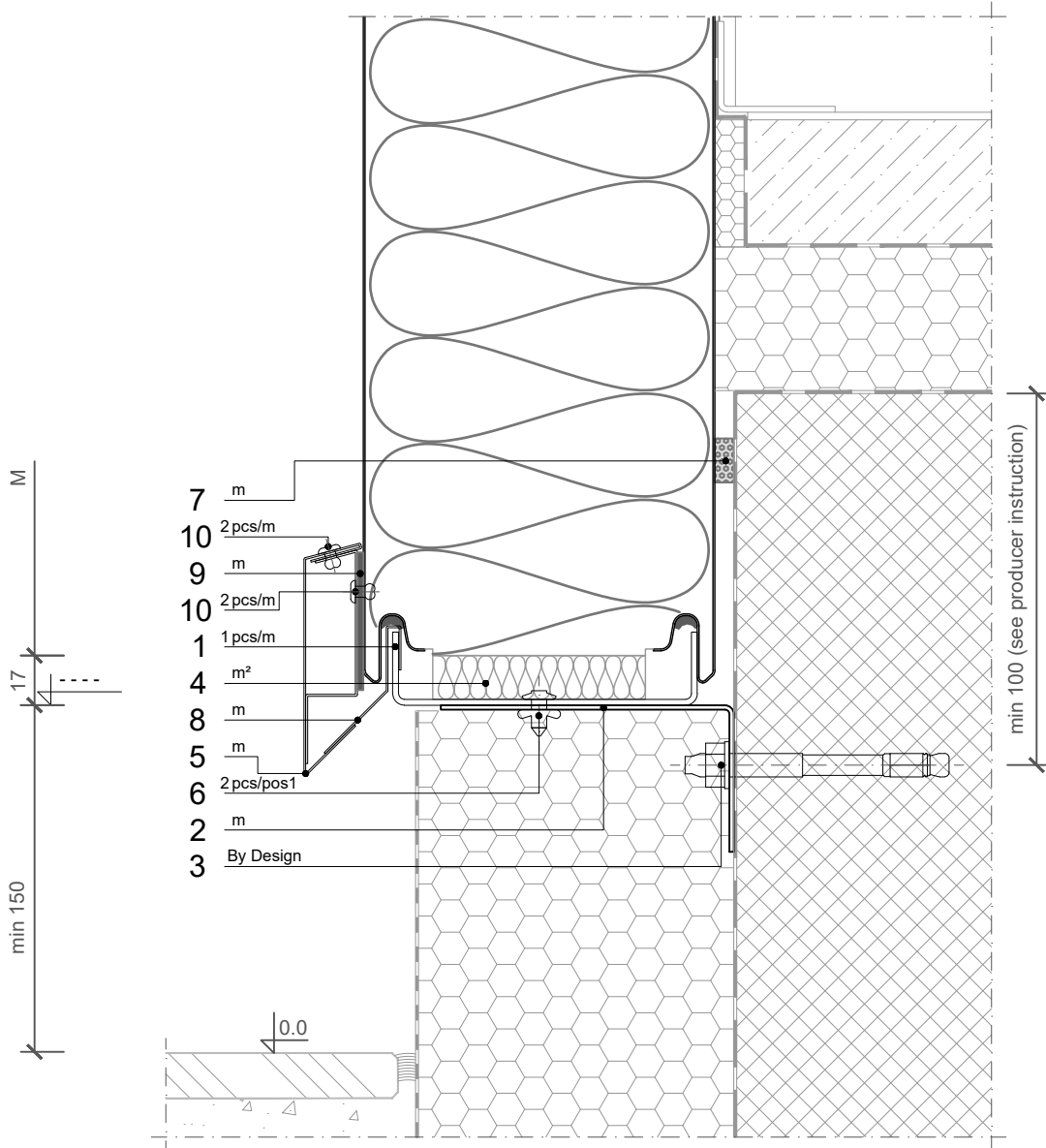
HORIZONTAL INSTALLATION

TRIMOTERM FTV

BUILDING APPLICATION

- External Facade
- Internal Wall
- Roof
- External Soffit
- Internal Ceiling
- Backing panel

VERTICAL CUT



NOTE

- The flashing is to be fitted by a 50 mm overlap.

POS	CODE	ELEMENT	AMOUNT	UNIT
1	N005	Panel support profile	dwg	
2	N014	Support profile	dwg	
3	S001	Anchor screw	By Design	
4	30027144	Thermal insulation		m ²
5	O076	Drip flashing mask	dwg	
6	K011	Bulb tite rivet 5,2xL		pcs
7	30028072	Self adhesive pre-compressed sealing tape		m
8	O174	Drip flashing	dwg	
9	5012487	Self adhesive sealing tape 2x47x100 (under the fixing)		m
10	K001	Rivet 4xL		pcs

SCALE: M 1:2.5

BASE 01

Trimo Group holds full copyrights on the information and details provided on this media, therefore any unauthorized reproduction and distribution is strictly prohibited.

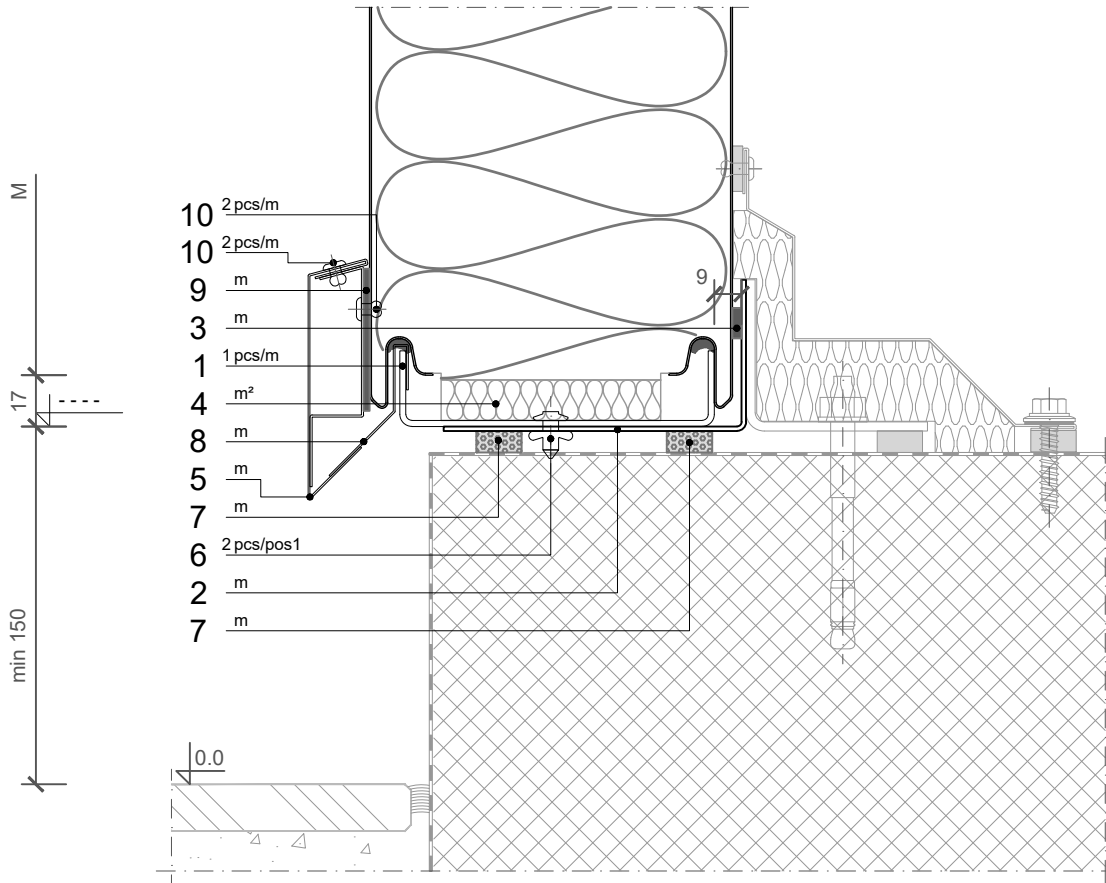
HORIZONTAL INSTALLATION

TRIMOTERM FTV

BUILDING APPLICATION

- External Facade
- Internal Wall
- Roof
- External Soffit
- Internal Ceiling
- Backing panel

VERTICAL CUT



NOTE

- The flashing is to be fitted by a 50 mm overlap.

POS	CODE	ELEMENT	AMOUNT	UNIT
1	N005	Panel support profile	dwg	
2	N014	Support profile	dwg	
3	30006985	Self adhesive sealing tape 5x10xL		m
4	30027144	Thermal insulation		m ²
5	O076	Drip flashing mask	dwg	
6	K011	Bulb tite rivet 5,2xL		pcs
7	30028072	Self adhesive pre-compressed sealing tape		m
8	O174	Drip flashing	dwg	
9	5012487	Self adhesive sealing tape 2x47x100 (under the fixing)		m
10	K001	Rivet 4xL		pcs

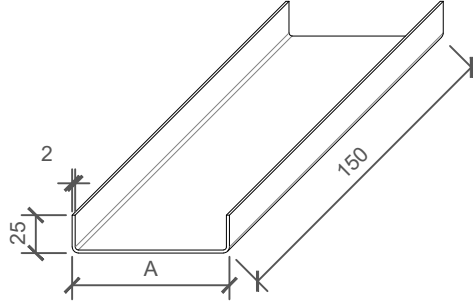
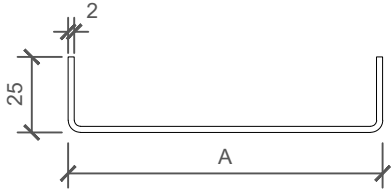
SCALE: M 1:2.5

BASE 02

Trimo Group holds full copyrights on the information and details provided on this media, therefore any unauthorized reproduction and distribution is strictly prohibited.

ELEMENT_ N005_Panel support profile

PANEL THICKNESS	50	60	80	100	120	133	150	172	200	240	250
CODE	N0001	N0002	N0003	N0004	N0005	N0006	N0007	N0008	N0009	N0010	N0011
A	34	44	64	84	104	117	134	156	184	224	234
STEEL SHEET WIDTH	76	86	106	126	146	159	176	198	226	266	276



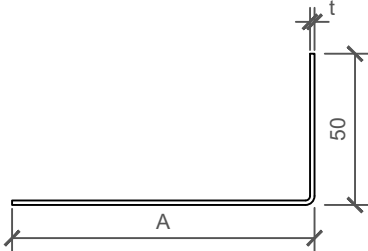
REFERENCE	
A	0
SHEET WIDTH	42
PIECES	

NOTES

material: Zinc - coated metal sheet
 thickness [mm]: 2
 sheet width [mm]: 42+A
 folds: 2
 L [mm] = 150

ELEMENT_ N014_Support profile

PANEL THICKNESS	50	60	80	100	120	133	150	172	200	240	250
CODE	N0013	N0014	N0015	N0016	N0017	N0018	N0019	N0020	N0021	N0022	N0023
A	30	40	60	80	100	113	130	152	180	220	230
t	1,5	1,5	1,5	1,5	1,5	2	2	2	2	2	2
STEEL SHEET WIDTH	77	87	107	127	147	159	176	198	226	266	276

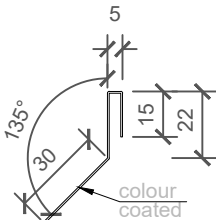


REFERENCE	
A	0
t	0.0
SHEET WIDTH	50
LENGTH	
PIECES	

NOTES

material: Zinc - coated metal sheet
 thickness [mm]: t
 sheet width [mm]: 50-2t+A
 folds: 1
 Lmax [mm] = 4000
 option: powder coated

ELEMENT_ O174_Drip flashing

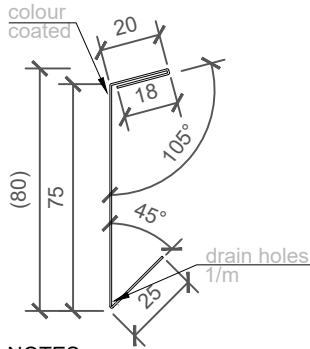


REFERENCE	
COLOUR	
LENGTH	
PIECES	

NOTES

material: Colored metal sheet
 thickness [mm]: 0,6
 sheet width [mm]: 72
 folds: 3
 Lmax [mm] = 6000

ELEMENT_ O076_ Drip flashing mask

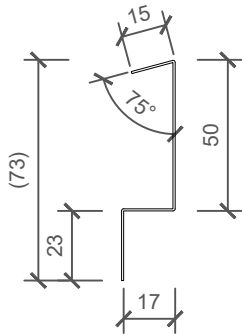


REFERENCE	
COLOUR	
LENGTH	
PIECES	

NOTES

material: Colored metal sheet
 thickness [mm]: 0,6
 sheet width [mm]: 138
 folds: 4
 Lmax [mm] = 6000

ELEMENT_ O078_ Drip flashing mask support



REFERENCE	
LENGTH	
PIECES	

NOTES

material: Galvanized metal sheet
 thickness [mm]: 0,7
 sheet width [mm]: 105
 folds: 3
 Lmax [mm] = 6000

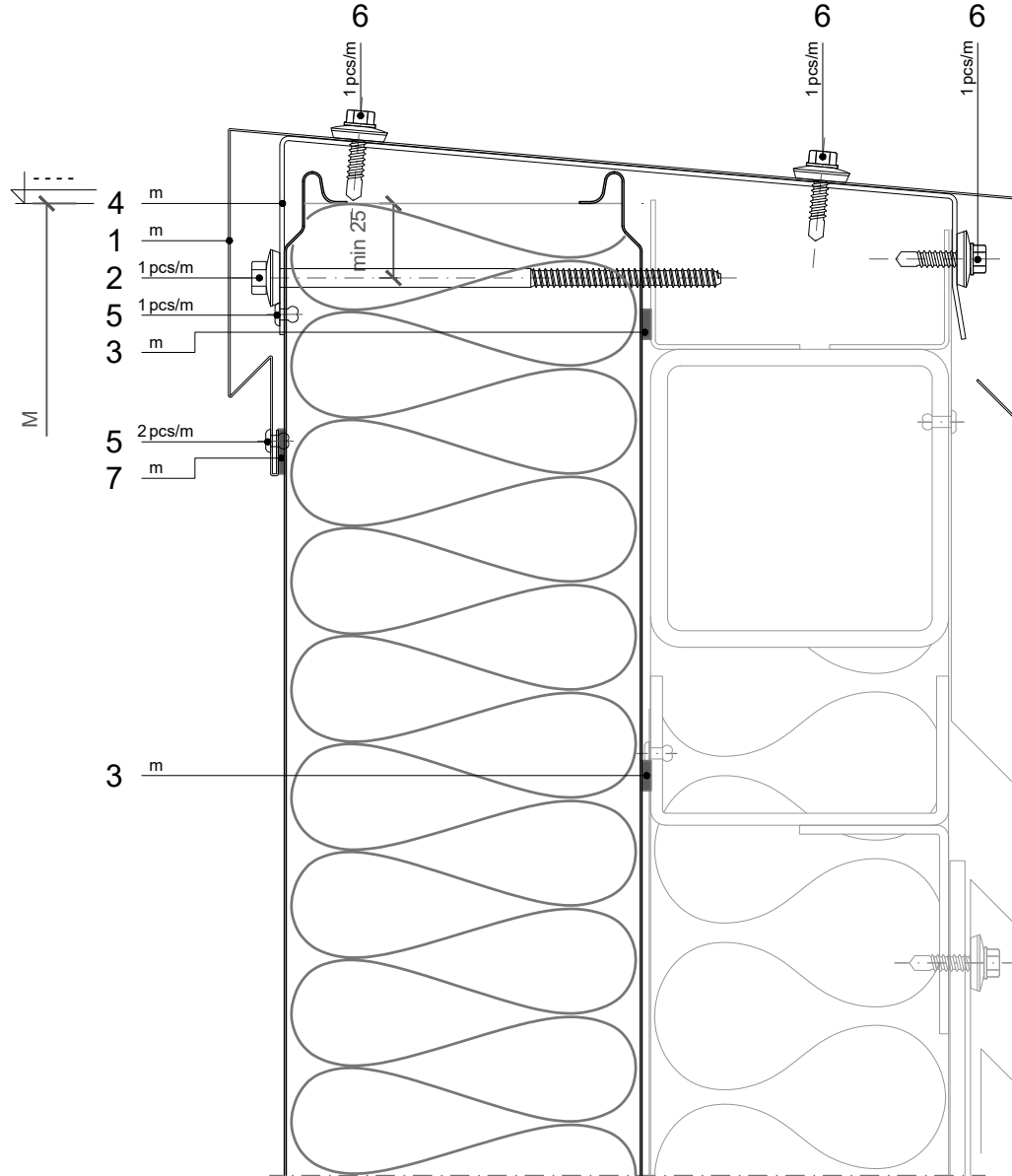
HORIZONTAL INSTALLATION

TRIMOTERM FTV

BUILDING APPLICATION

- External Facade
- Internal Wall
- Roof
- External Soffit
- Internal Ceiling
- Backing panel

VERTICAL CUT



NOTE

- Standard Plumbing connection is used for Eaves flashing prolongation.

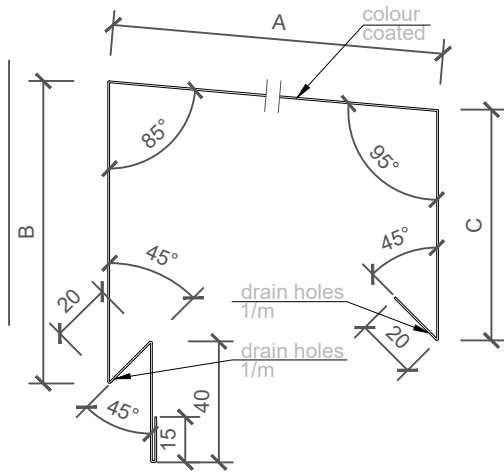
POS	CODE	ELEMENT	AMOUNT	UNIT
1	O025	Parapet cap flashing	dwg	
2	V130	Fixing screw		pcs
3	30006985	Self adhesive sealing tape 5x10xL		m
4	N079	Parapet cap support profile	dwg	
5	K001	Rivet 4xL		pcs
6	V230	Fixing screw		pcs
7	30031696	Self adhesive sealing tape 3x15xL		m

SCALE: M 1:2.5

PARAPET 01

Trimo Group holds full copyrights on the information and details provided on this media, therefore any unauthorized reproduction and distribution is strictly prohibited.

ELEMENT_ O025_Parapet cap flashing

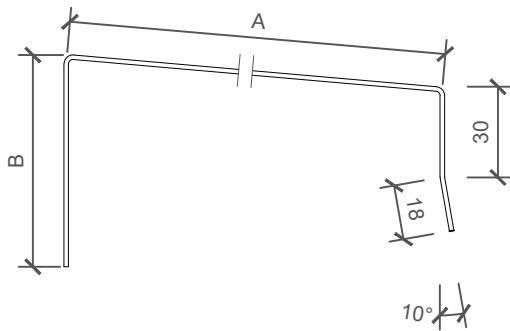


REFERENCE	
A	0
B	0
C	0
SHEET WIDTH	95
COLOUR	
LENGTH	
PIECES	

NOTES

material: Colored metal sheet
 thickness [mm]: 0,6
 sheet width [mm]: $95+A+B+C$
 folds: 7
 Lmax [mm] = 6000

ELEMENT_ N079_Parapet cap support profile



REFERENCE	
A	0
B	0
SHEET WIDTH	42
COLOUR	
LENGTH	
PIECES	

NOTES

material: Zinc - coated metal sheet
 thickness [mm]: 1,5
 sheet width [mm]: $42+A+B$
 folds: 3
 Lmax [mm] = 4000

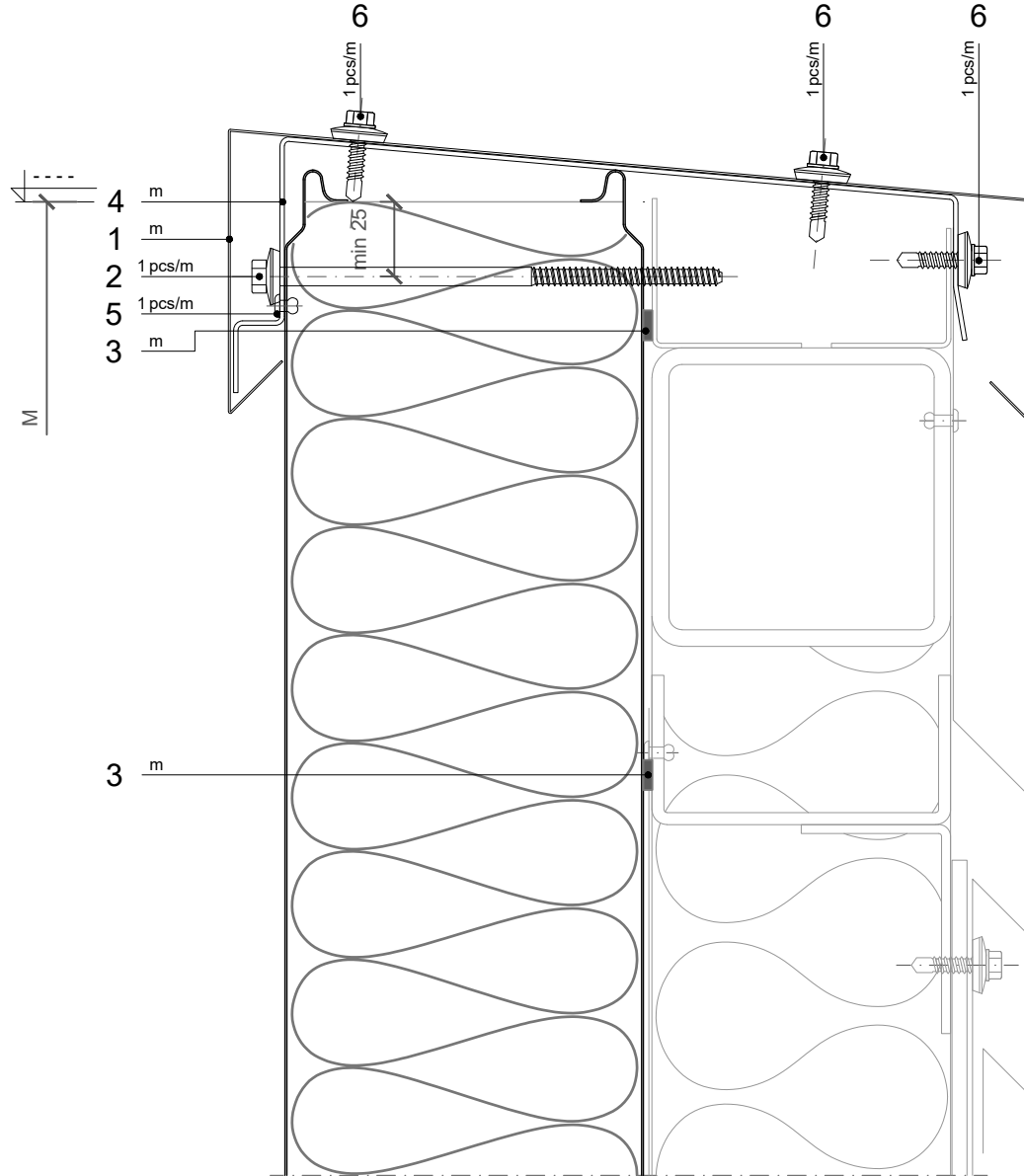
HORIZONTAL INSTALLATION

TRIMOTERM FTV

BUILDING APPLICATION

- External Facade
- Internal Wall
- Roof
- External Soffit
- Internal Ceiling
- Backing panel

VERTICAL CUT



NOTE

- Standard Plumbing connection is used for Eaves flashing prolongation.

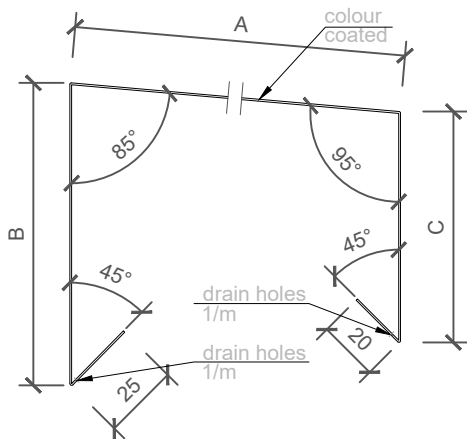
POS	CODE	ELEMENT	AMOUNT	UNIT
1	O126	Parapet cap flashing	dwg	
2	V130	Fixing screw		pcs
3	30006985	Self adhesive sealing tape 5x10xL		m
4	N094	Parapet cap support profile	dwg	
5	K001	Rivet 4xL		pcs
6	V230	Fixing screw		pcs

SCALE: M 1:2.5

PARAPET 01

Trimo Group holds full copyrights on the information and details provided on this media, therefore any unauthorized reproduction and distribution is strictly prohibited.

ELEMENT_O126_Parapet cap flashing

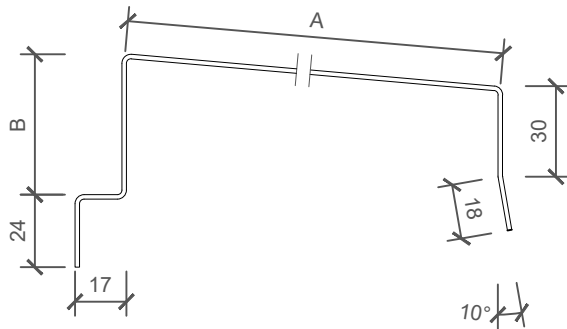


REFERENCE	
A	0
B	0
C	0
SHEET WIDTH	45
COLOUR	
LENGTH	
PIECES	

NOTES

material: Colored metal sheet
 thickness [mm]: 0,6
 sheet width [mm]: $45+A+B+C$
 folds: 4
 Lmax [mm] = 6000

ELEMENT_N094_Parapet cap support profile



REFERENCE	
A	0
B	0
SHEET WIDTH	70
COLOUR	
LENGTH	
PIECES	

NOTES

material: Zinc - coated metal sheet
 thickness [mm]: 1,5
 sheet width [mm]: $70+A+B$
 folds: 5
 Lmax [mm] = 4000

HORIZONTAL INSTALLATION

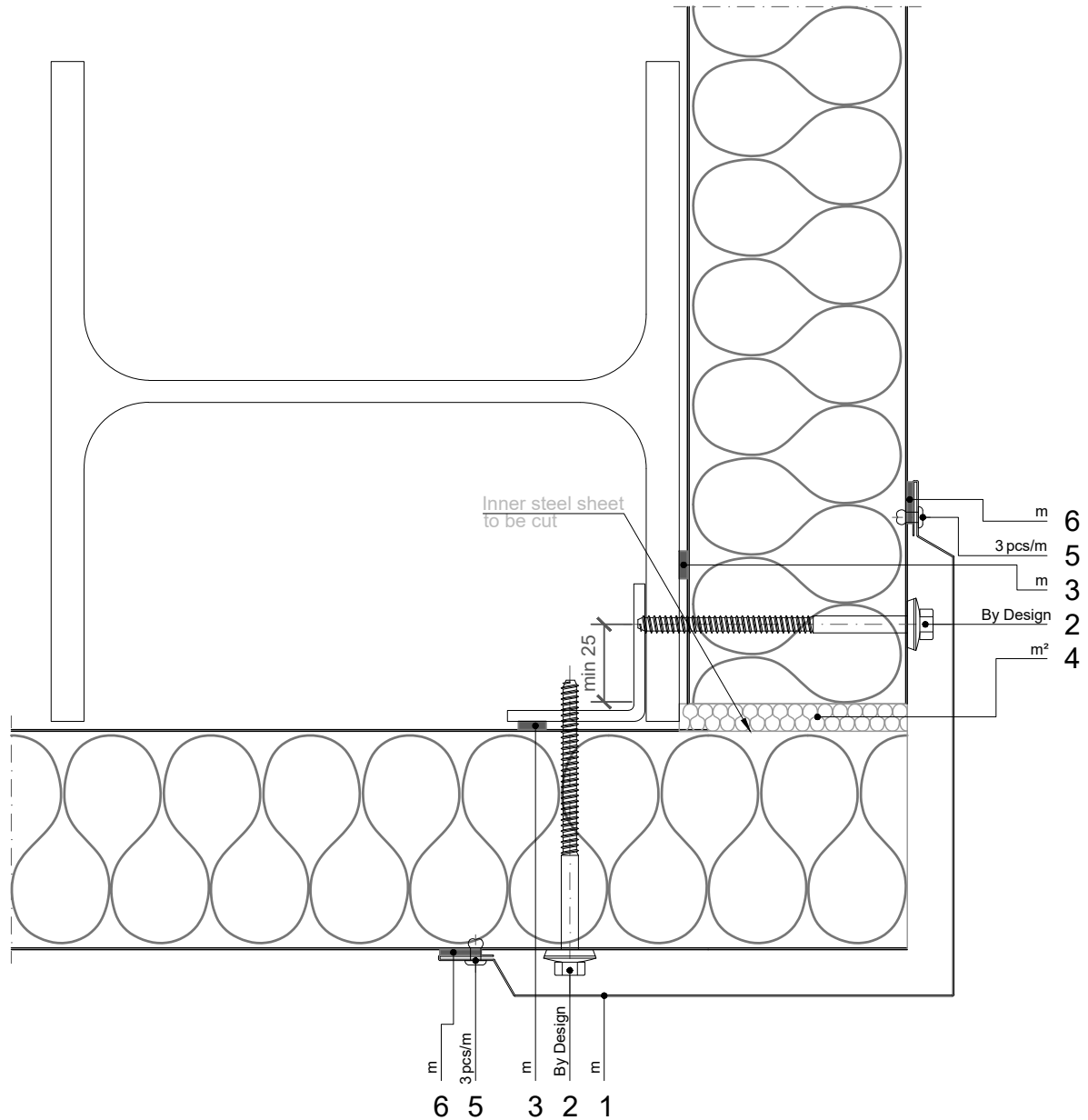
TRIMOTERM FTV

BUILDING APPLICATION

- External Facade
- Internal Wall
- Roof
- External Soffit
- Internal Ceiling
- Backing panel

HORIZONTAL CUT

Panel thickness < 100 mm



NOTE

- The flashing is to be fitted by a 50 mm overlap.
- Installation mastic seal - see dwg. TE-H-01.01 - ELEMENTS 01

POS	CODE	ELEMENT	AMOUNT	UNIT
1	O015	Corner flashing	dwg	
2	V130	Fixing screw	By Design	
3	30006985	Self adhesive sealing tape 5x10xL		m
4	30027144	Thermal insulation		m ²
5	K001	Rivet 4xL		pcs
6	30031696	Self adhesive sealing tape 3x15xL		m

SCALE: M 1:2.5

EXTERNAL CORNER 01

Trimo Group holds full copyrights on the information and details provided on this media, therefore any unauthorized reproduction and distribution is strictly prohibited.

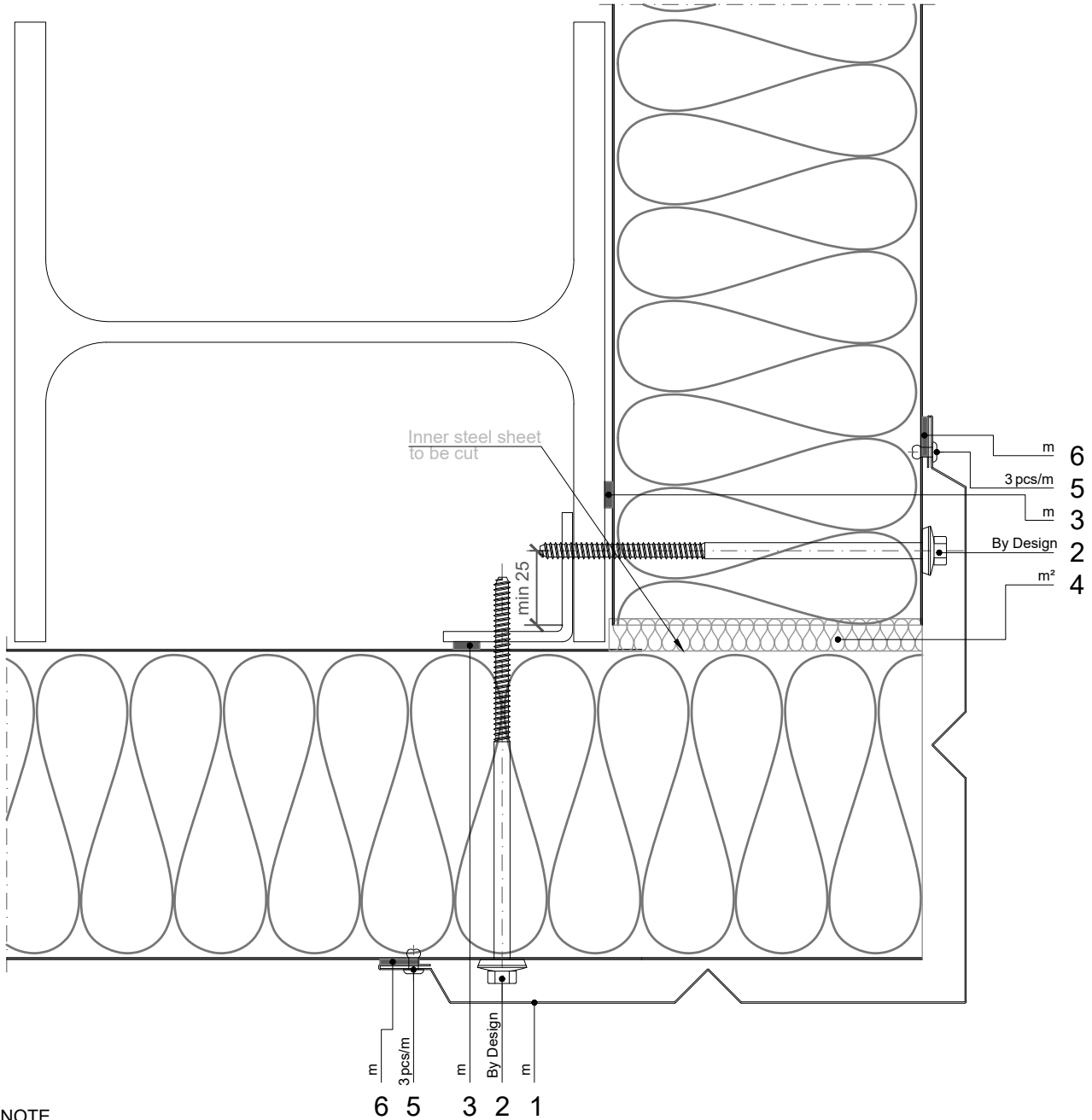
HORIZONTAL INSTALLATION

TRIMOTERM FTV

BUILDING APPLICATION

- External Facade
- Internal Wall
- Roof
- External Soffit
- Internal Ceiling
- Backing panel

HORIZONTAL CUT



NOTE

- The flashing is to be fitted by a 50 mm overlap.
- Installation mastic seal - see dwg. TE-H-01.01 - ELEMENTS 01

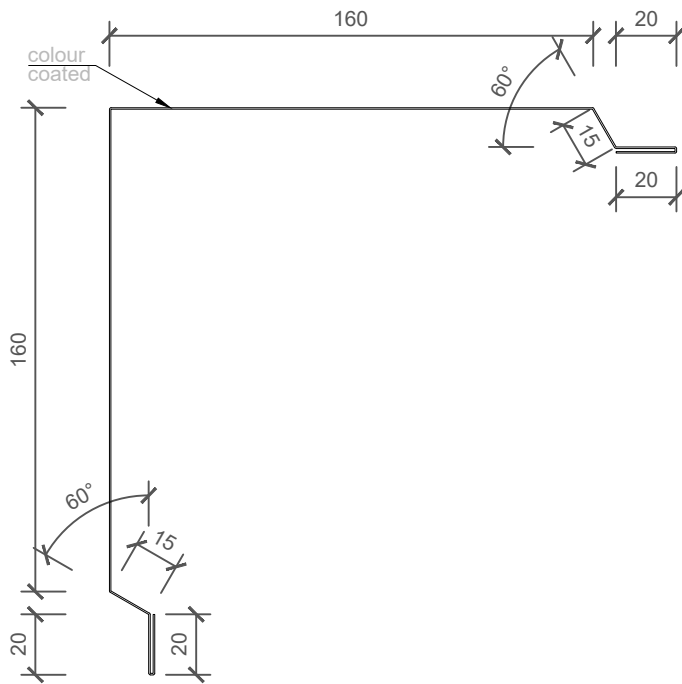
POS	CODE	ELEMENT	AMOUNT	UNIT
1	O017	Corner flashing	dwg	
2	V130	Fixing screw	By Design	
3	30006985	Self adhesive sealing tape 5x10xL		m
4	30027144	Thermal insulation		m ²
5	K001	Rivet 4xL		pcs
6	30031696	Self adhesive sealing tape 3x15xL		m

SCALE: M 1:2.5

EXTERNAL CORNER 02

Trimo Group holds full copyrights on the information and details provided on this media, therefore any unauthorized reproduction and distribution is strictly prohibited.

ELEMENT_ O015_Corner flashing



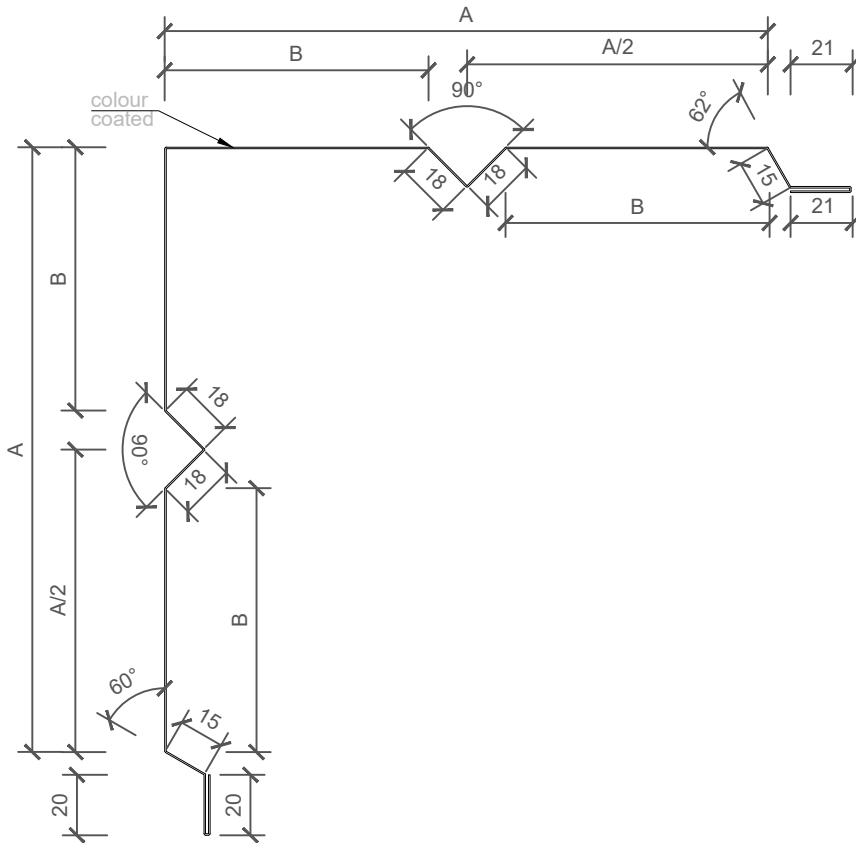
REFERENCE	
COLOUR	
LENGTH	
PIECES	

NOTES

material: Colored metal sheet
 thickness [mm]: 0,6
 sheet width [mm]: 430
 folds: 9
 Lmax [mm] = 6000
 Panel thickness <= 100 mm

ELEMENT_ O017_Corner flashing

PANEL THICKNESS	100	120	133	150	172	200	240	250
CODE	O0001	O0002	O0003	O0004	O0005	O0006	O0007	O0008
A	180	200	213	230	252	280	320	330
B	77	87	94.5	102	113	127	147	152
STEEL SHEET WIDTH	490	530	558	590	634	690	770	790



REFERENCE	
COLOUR	
A	
B	0
SHEET WIDTH	182
LENGTH	
PIECES	

NOTES

material: Colored metal sheet
 thickness [mm]: 0,6
 sheet width [mm]: $182+(4*B)$
 folds: 15
 L_{max} [mm] = 6000
 Panel thickness > 100 mm

HORIZONTAL INSTALLATION

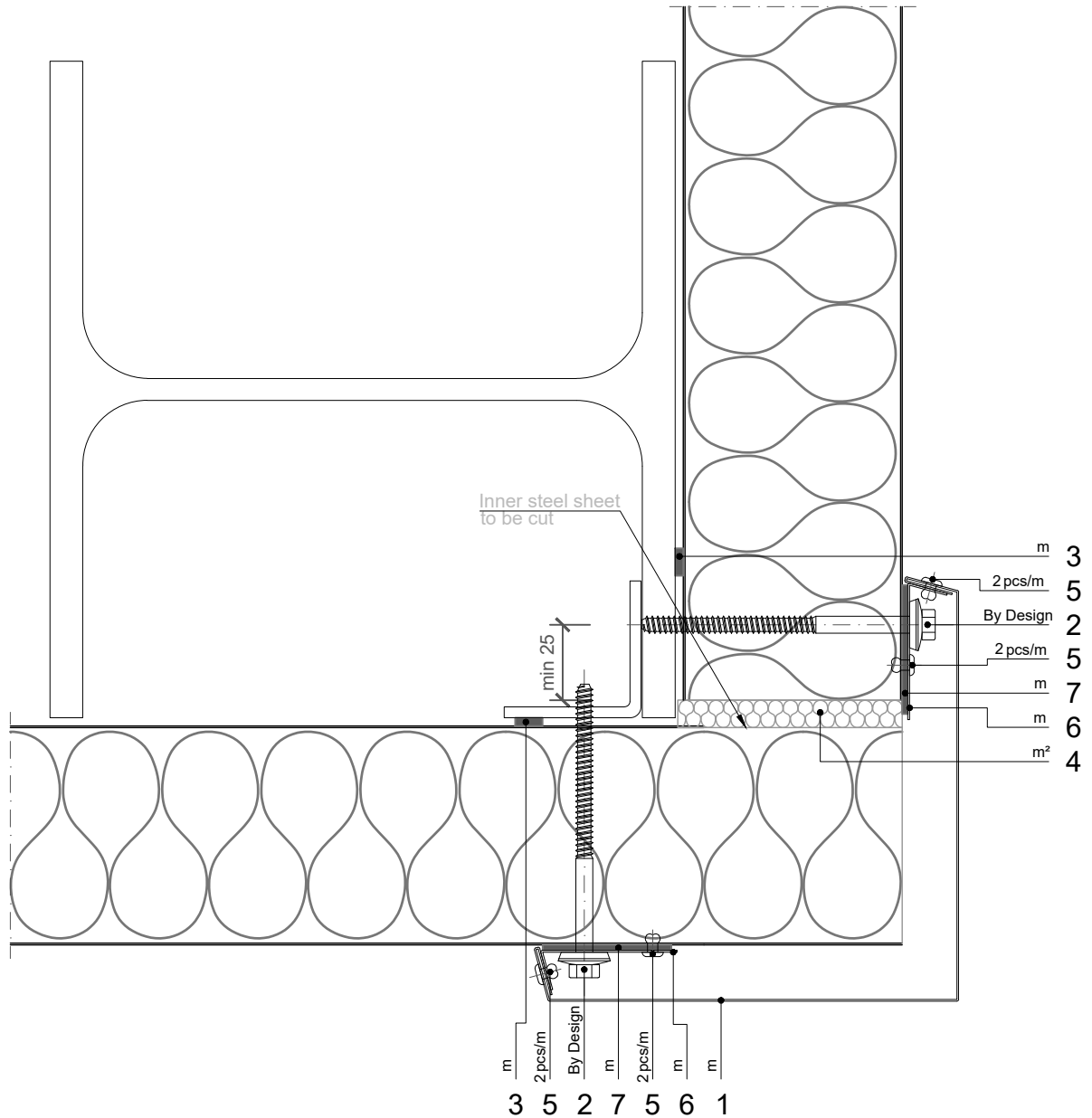
TRIMOTERM FTV

BUILDING APPLICATION

- External Facade
- Internal Wall
- Roof
- External Soffit
- Internal Ceiling
- Backing panel

HORIZONTAL CUT

Panel thickness < 100 mm



NOTE

- The flashing is to be fitted by a 50 mm overlap.
- Installation mastic seal - see dwg. TE-H-02.01 - ELEMENTS 01

POS	CODE	ELEMENT	AMOUNT	UNIT
1	O136	Corner flashing	dwg	
2	V130	Fixing screw	By Design	
3	30006985	Self adhesive sealing tape 5x10xL		m
4	30027144	Thermal insulation		m ²
5	K001	Rivet 4xL		pcs
6	O139	Joint flashing support	dwg	
7	5012487	Self adhesive sealing tape 2x47xL		m

SCALE: M 1:2.5

EXTERNAL CORNER 01

Trimo Group holds full copyrights on the information and details provided on this media, therefore any unauthorized reproduction and distribution is strictly prohibited.

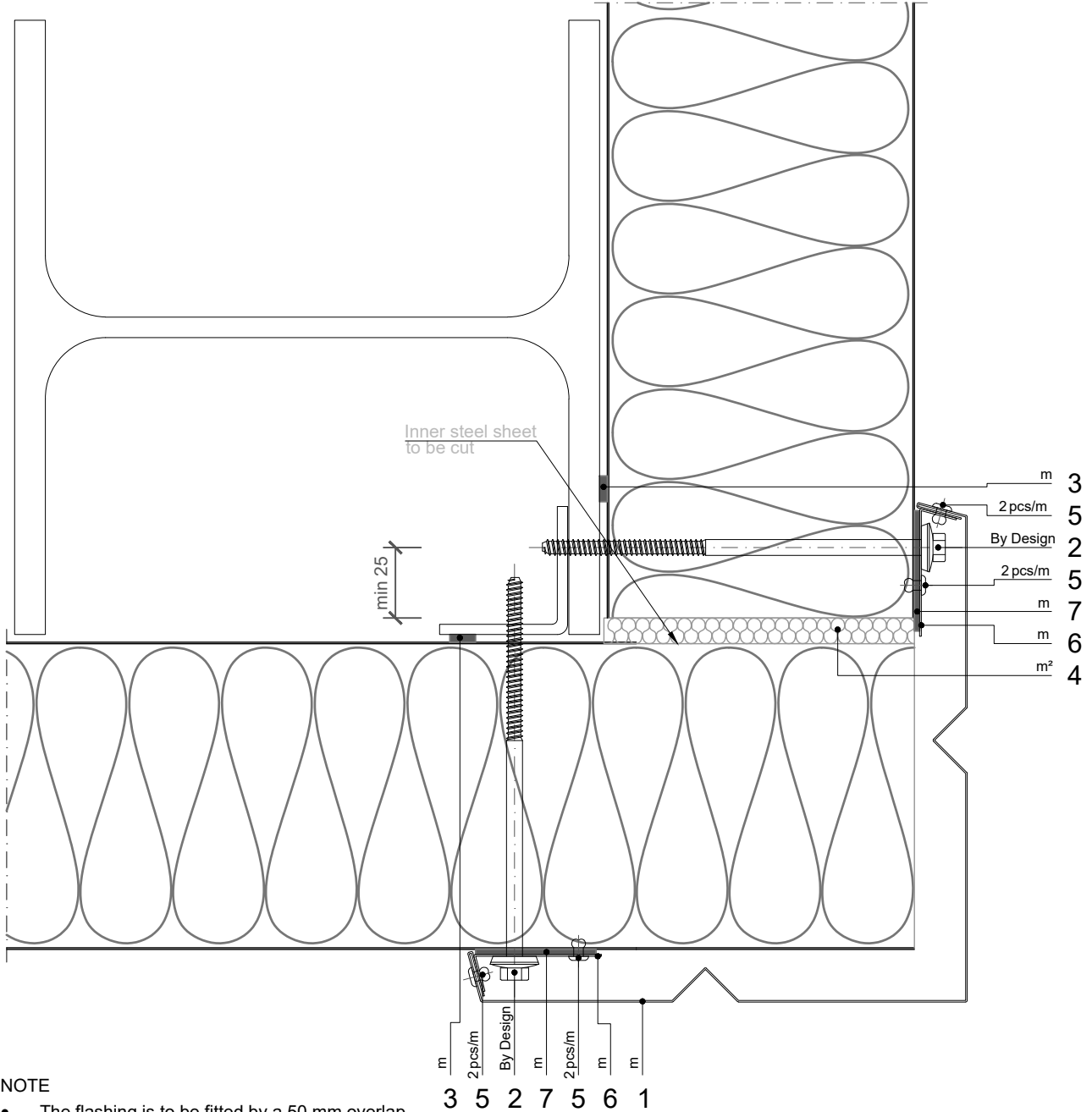
HORIZONTAL INSTALLATION

TRIMOTERM FTV

BUILDING APPLICATION

- External Facade
- Internal Wall
- Roof
- External Soffit
- Internal Ceiling
- Backing panel

HORIZONTAL CUT



NOTE

- The flashing is to be fitted by a 50 mm overlap.
- Installation mastic seal - see dwg. TE-H-02.01 - ELEMENTS 01

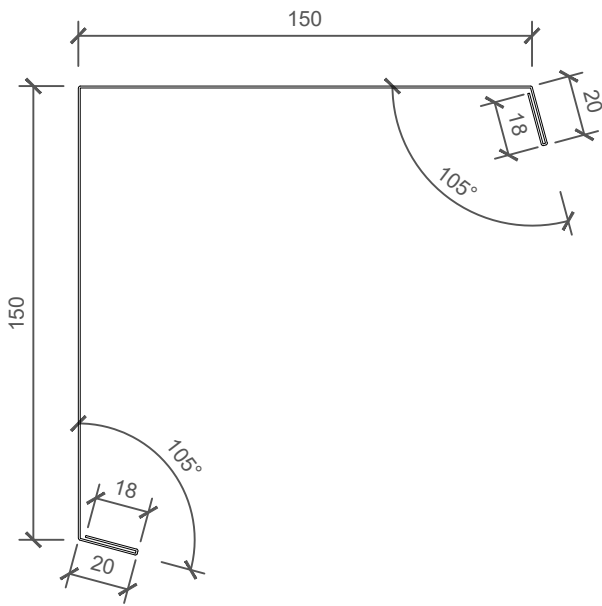
POS	CODE	ELEMENT	AMOUNT	UNIT
1	O137	Corner flashing	dwg	
2	V130	Fixing screw	By Design	
3	30006985	Self adhesive sealing tape 5x10xL		m
4	30027144	Thermal insulation		m ²
5	K001	Rivet 4xL		pcs
6	O139	Joint flashing support	dwg	
7	5012487	Self adhesive sealing tape 2x47xL		m

SCALE: M 1:2.5

EXTERNAL CORNER 02

Trimo Group holds full copyrights on the information and details provided on this media, therefore any unauthorized reproduction and distribution is strictly prohibited.

ELEMENT_ O136_Corner flashing



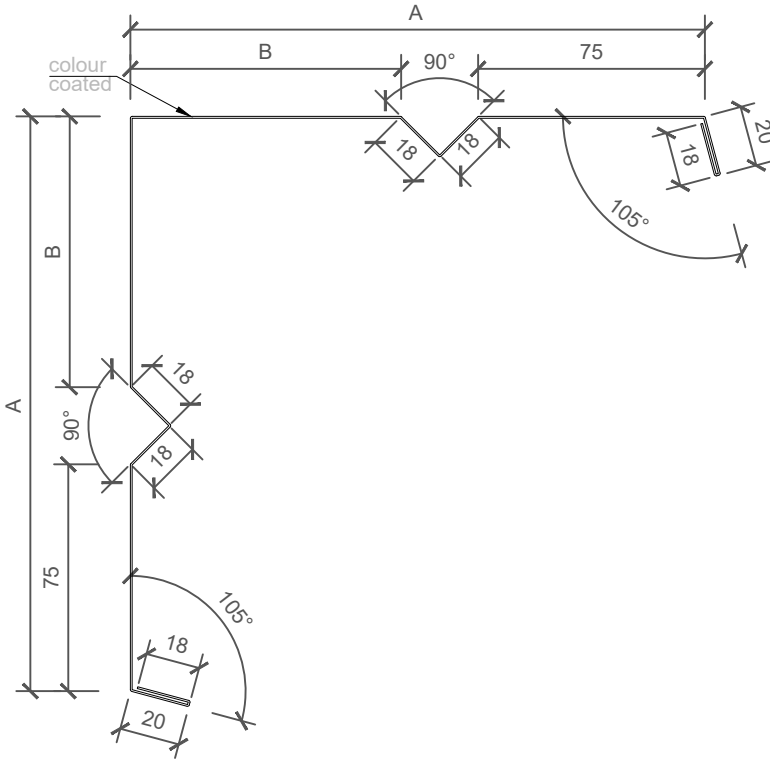
REFERENCE	
COLOUR	
LENGTH	
PIECES	

NOTES

material: Colored metal sheet
 thickness [mm]: 0,6
 sheet width [mm]: 376
 folds: 7
 Lmax [mm] = 6000
 Panel thickness <= 100 mm

ELEMENT_ O137_Corner flashing

PANEL THICKNESS	100	120	133	150	172	200	240	250
CODE	O0010	O0011	O0012	O0013	O0014	O0015	O0016	O0017
A	170	190	203	220	242	270	310	320
B	70	90	103	120	142	170	210	220
STEEL SHEET WIDTH	438	478	504	538	582	638	718	738

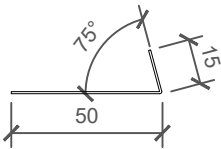


REFERENCE	
COLOUR	
A	
B	0
SHEET WIDTH	298
LENGTH	
PIECES	

NOTES

material: Colored metal sheet
 thickness [mm]: 0,6
 sheet width [mm]: $298+(2*B)$
 folds: 13
 L_{max} [mm] = 6000
 Panel thickness > 100 mm

ELEMENT_ O139_Joint flashing support



REFERENCE	
LENGTH	
PIECES	

NOTES

material: Galvanized metal sheet
 thickness [mm]: 0,7
 sheet width [mm]: 65
 folds: 1
 L_{max} [mm] = 6000

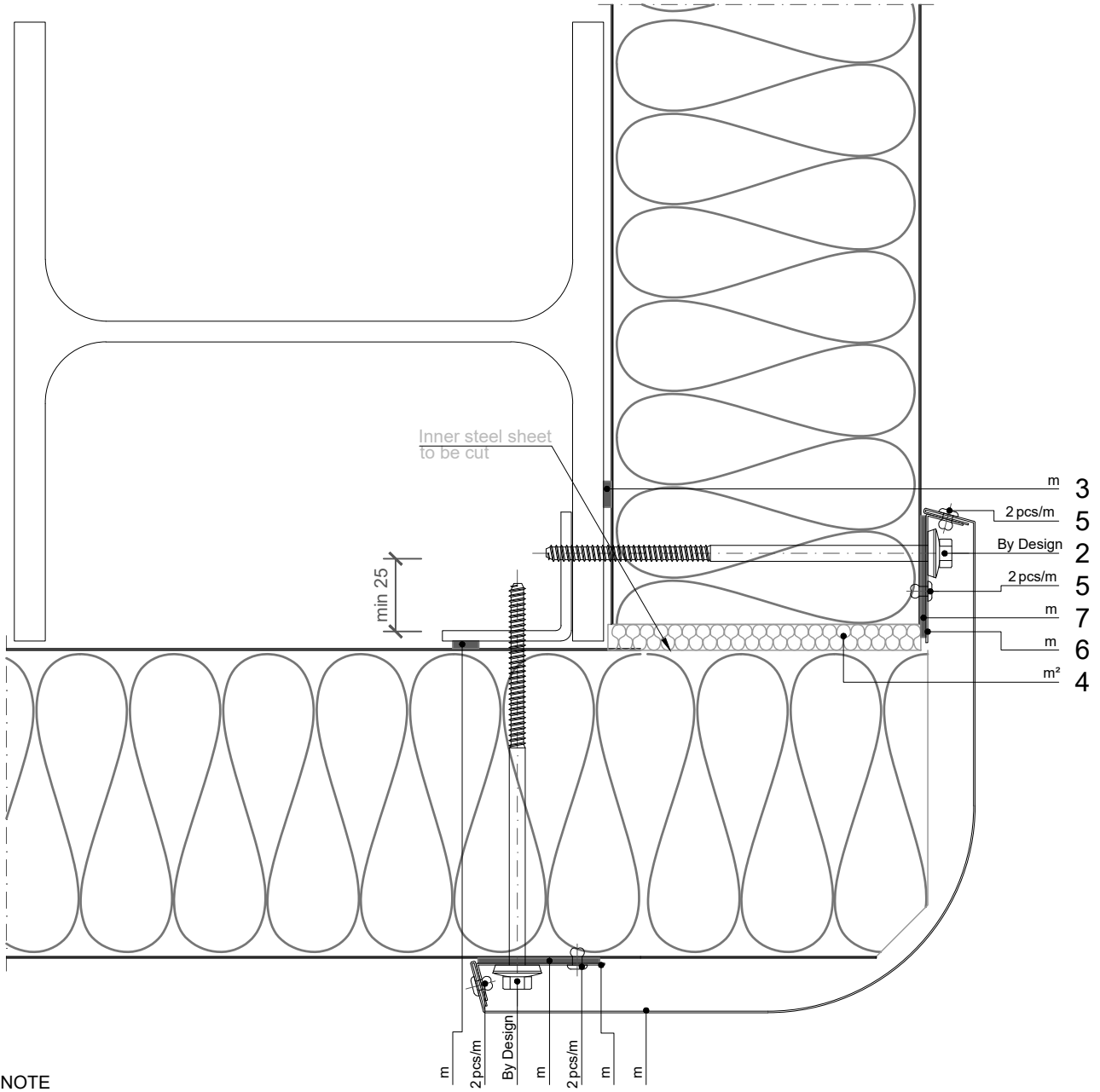
HORIZONTAL INSTALLATION

TRIMOTERM FTV

BUILDING APPLICATION

- External Facade
- Internal Wall
- Roof
- External Soffit
- Internal Ceiling
- Backing panel

HORIZONTAL CUT



NOTE

- The flashing is to be fitted by a 50 mm overlap.
- Installation mastic seal - see dwg. TE-H-02.01 - ELEMENTS 01

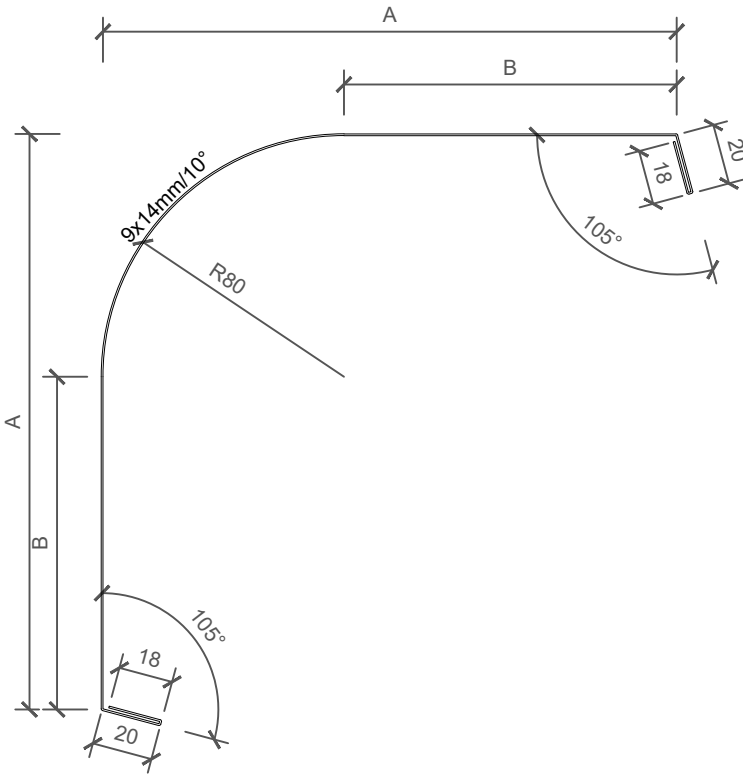
POS	CODE	ELEMENT	AMOUNT	UNIT
1	O480	Corner flashing	dwg	
2	V130	Fixing screw	By Design	
3	30006985	Self adhesive sealing tape 5x10xL		m
4	30027144	Thermal insulation		m ²
5	K001	Rivet 4xL		pcs
6	O139	Joint flashing support	dwg	
7	5012487	Self adhesive sealing tape 2x47xL		m

EXTERNAL CORNER 01

Trimo Group holds full copyrights on the information and details provided on this media, therefore any unauthorized reproduction and distribution is strictly prohibited.

ELEMENT_ O480_Corner flashing

PANEL THICKNESS	50	60	80	100	120	133	150	172	200	240	250
CODE	O0203	O0204	O0205	O0206	O0207	O0208	O0209	O0210	O0211	O0212	O0213
A	150	150	150	170	190	203	220	242	270	310	320
B	70	70	70	90	110	123	140	162	190	230	240
STEEL SHEET WIDTH	342	342	342	382	422	448	482	526	582	662	682

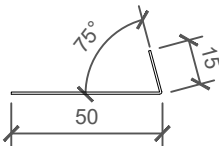


REFERENCE	
COLOUR	
B	0
SHEET WIDTH	202
LENGTH	
PIECES	

NOTES

material: Colored metal sheet
 thickness [mm]: 0,6
 sheet width [mm]: $202+(2*B)$
 folds: 16
 L_{max} [mm] = 6000

ELEMENT_ O139_Joint flashing support



REFERENCE	
LENGTH	
PIECES	

NOTES

material: Galvanized metal sheet
 thickness [mm]: 0,7
 sheet width [mm]: 65
 folds: 1
 L_{max} [mm] = 6000

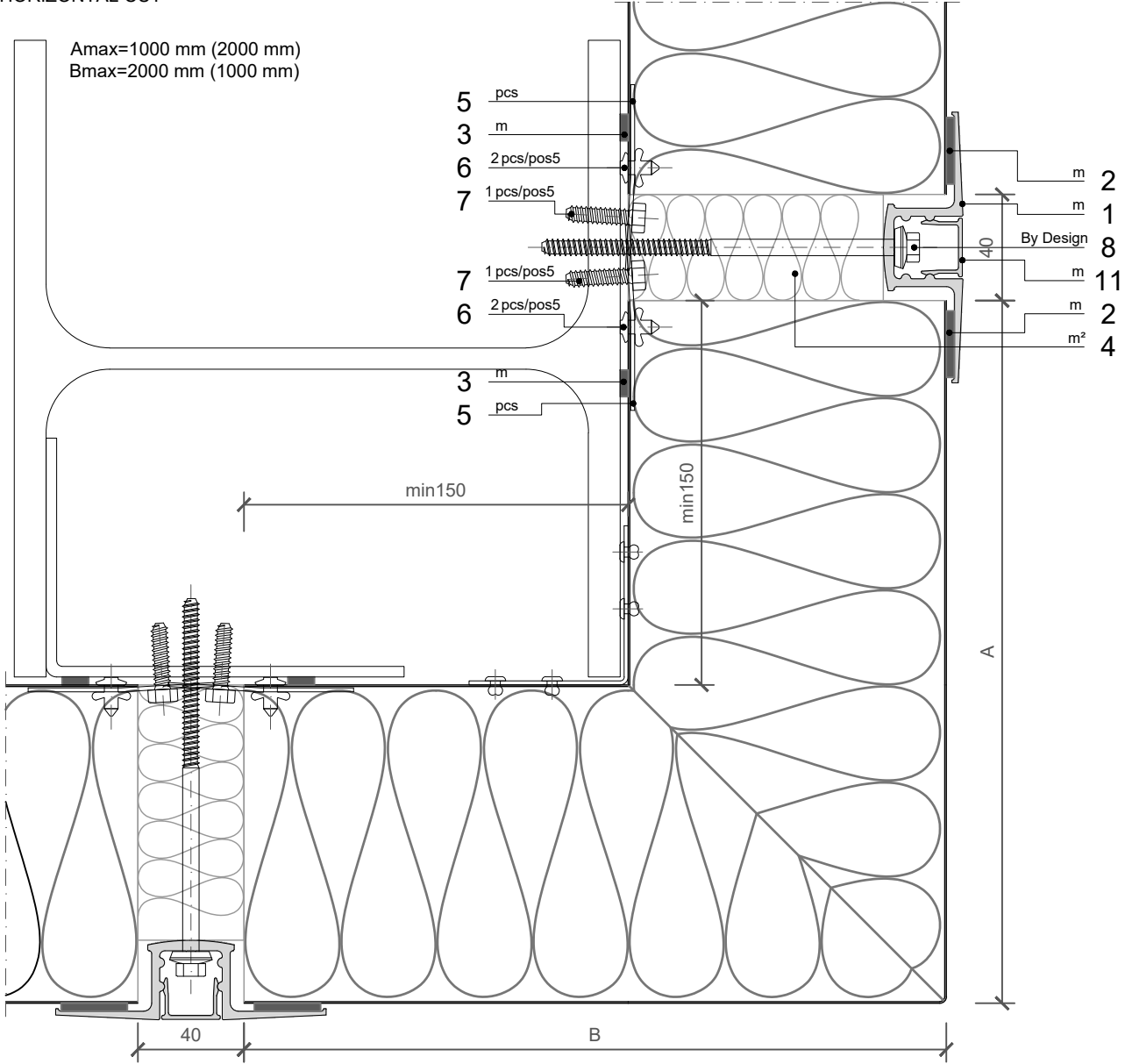
HORIZONTAL INSTALLATION

TRIMOTERM FTV

BUILDING APPLICATION

- External Facade
- External Soffit
- Internal Wall
- Internal Ceiling
- Roof
- Backing panel

HORIZONTAL CUT



NOTE

Joint (according to TE-H-01.03)

POS	CODE	ELEMENT	AMOUNT	UNIT
1	HF102/1	Fixing extrusion		m
2	30007460	Self adhesive sealing tape 6x25xL		m
3	30006985	Self adhesive sealing tape 5x10xL		m
4	30027144	Thermal insulation		m ²
5	N032	Fixing element	dwg	
6	K011	Bulb tite rivet 5,2xL		pcs
7	V300	Fixing screw		pcs
8	V120	Fixing screw	By Design	
11	HF102/2	Decorative extrusion		m

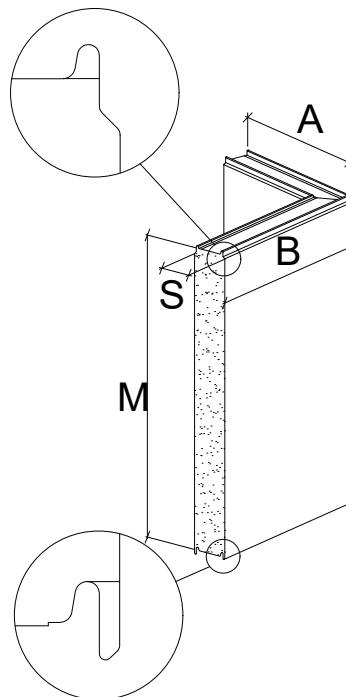
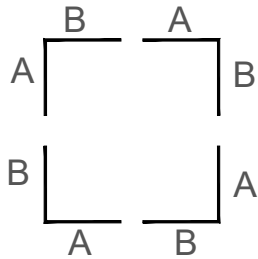
SCALE: M 1:2.5

EXTERNAL CORNER 01

Trimo Group holds full copyrights on the information and details provided on this media, therefore any unauthorized reproduction and distribution is strictly prohibited.

ELEMENT_Corner panel

REFERENCES	PIECES	DIMENSIONS				COATING		COLOUR	
		S	M	A	B	EXT	INT	EXT	INT
---	---	---	---	---	---	---	---	---	---



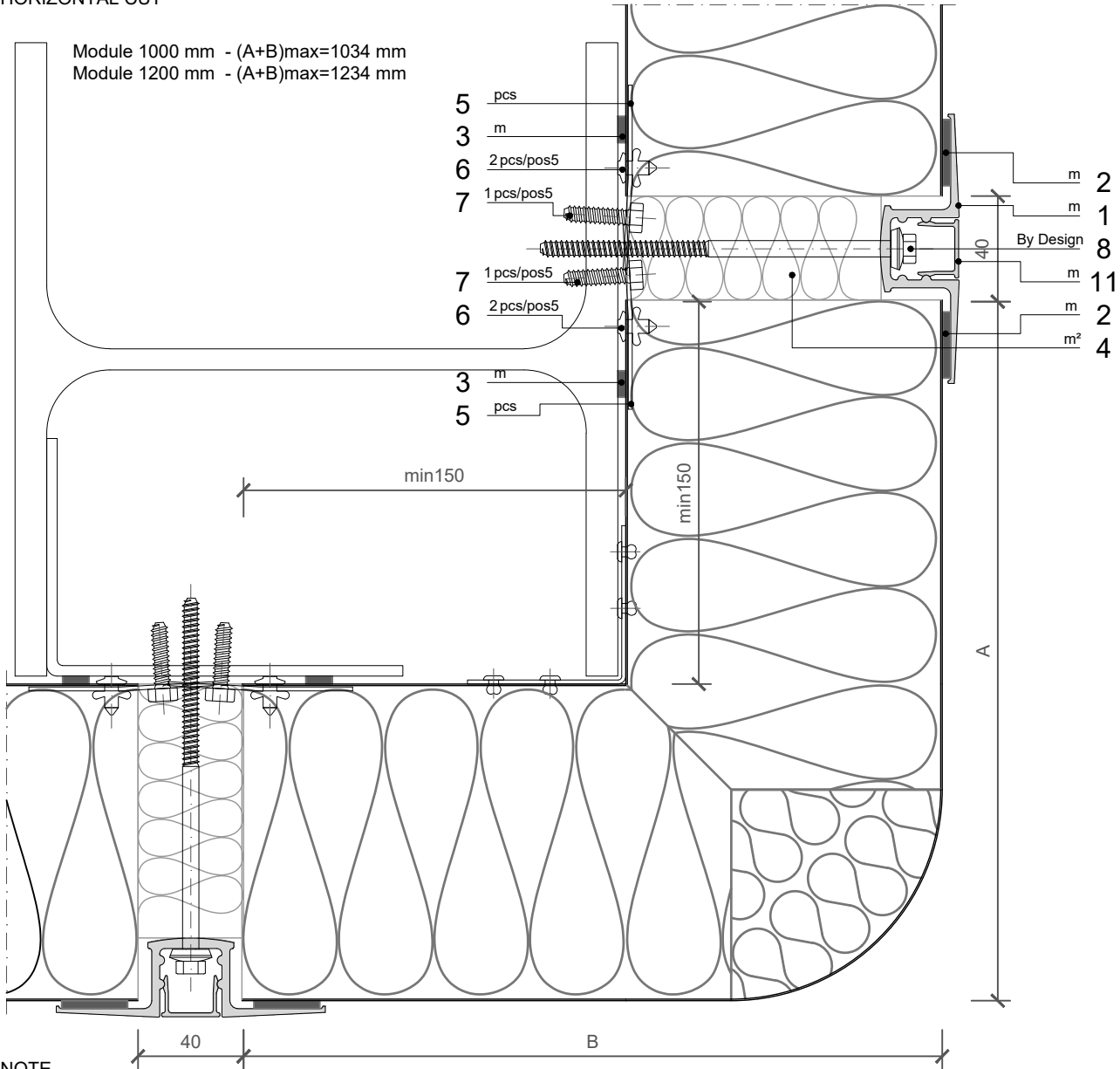
HORIZONTAL INSTALLATION

TRIMOTERM FTV

BUILDING APPLICATION

- External Facade
- External Soffit
- Internal Wall
- Internal Ceiling
- Roof
- Backing panel

HORIZONTAL CUT



NOTE

- Rounded corner can be produced only when the outside steel sheet profile is microlined.
- Joint (according to TE-H-01.03)

POS	CODE	ELEMENT	AMOUNT	UNIT
1	HF102/1	Fixing extrusion		m
2	30007460	Self adhesive sealing tape 6x25xL		m
3	30006985	Self adhesive sealing tape 5x10xL		m
4	30027144	Thermal insulation		m²
5	N032	Fixing element	dwg	
6	K011	Bulb tite rivet 5,2xL		pcs
7	V300	Fixing screw		pcs
8	V120	Fixing screw	By Design	
11	HF102/2	Decorative extrusion		m

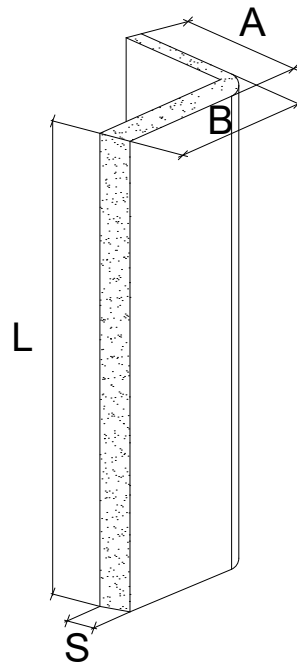
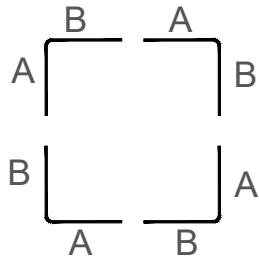
SCALE: M 1:2.5

EXTERNAL CORNER 01

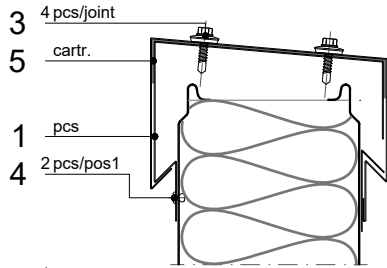
Trimo Group holds full copyrights on the information and details provided on this media, therefore any unauthorized reproduction and distribution is strictly prohibited.

ELEMENT_Corner panel

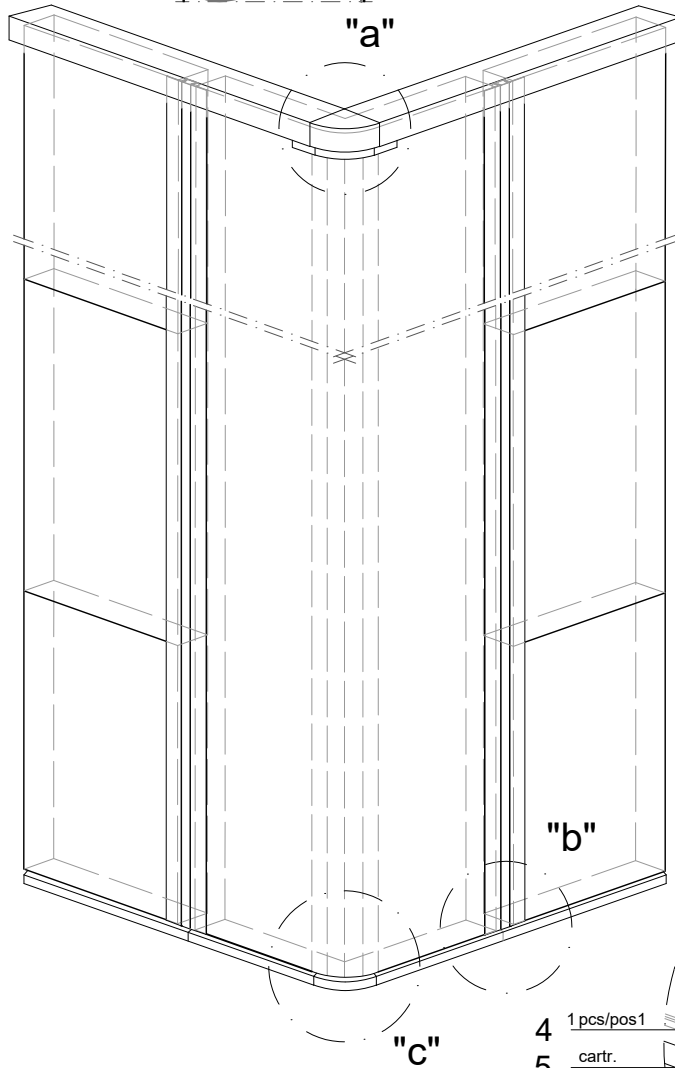
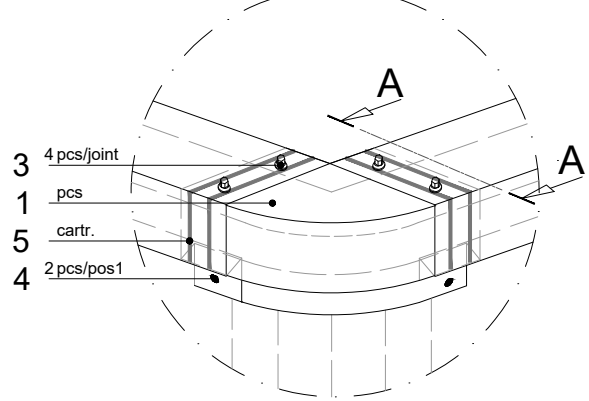
REFERENCES	PIECES	DIMENSIONS				COATING		COLOUR	
		S	L	A	B	EXT	INT	EXT	INT
---	---	---	---	---	---	---	---	---	---



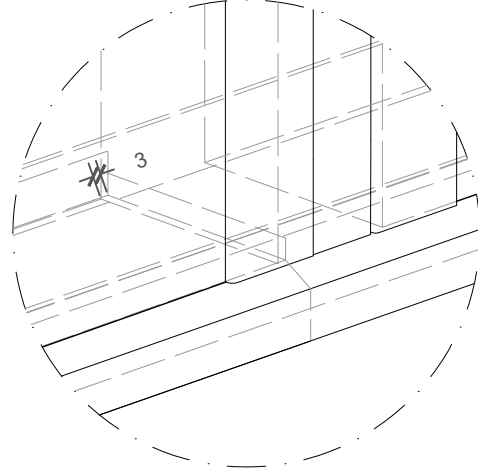
Section A-A



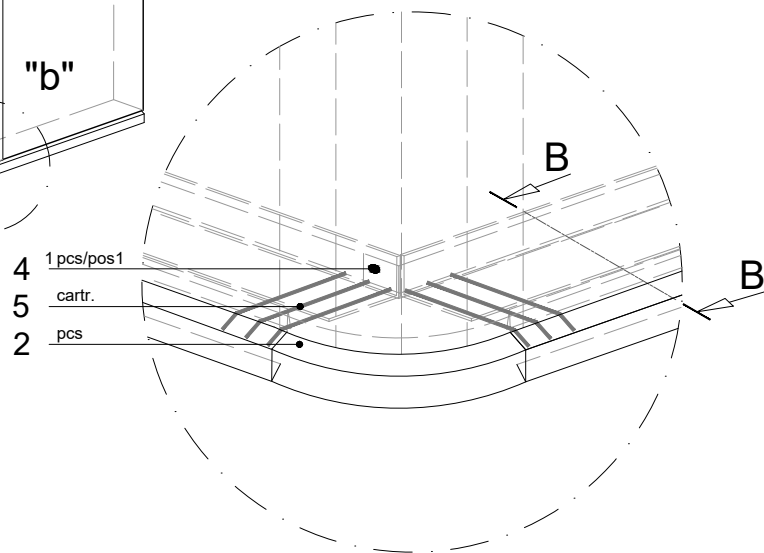
Detail "a"



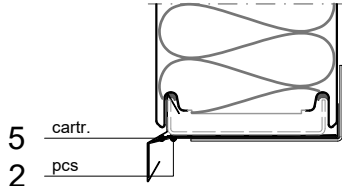
Detail "b"



Detail "c"



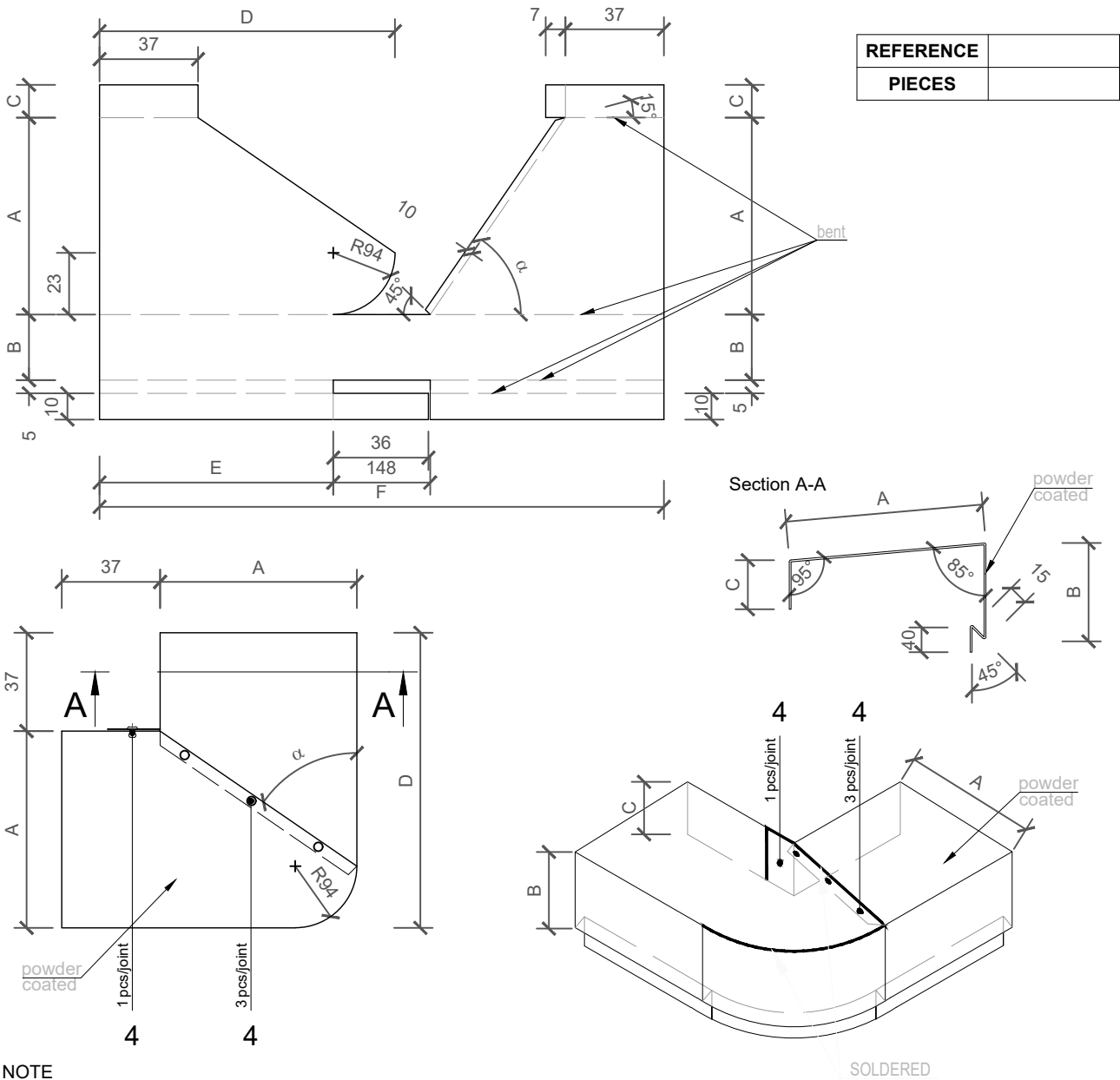
Section B-B



POS	CODE	ELEMENT	AMOUNT	UNIT
1	O205	Parapet cap of the rounded corner	dwg	
2	O204	Drip flashing of the rounded corner	dwg	
3	V230	Fixing screw		pcs
4	K001	Rivet 4xL		pcs
5	30025810	Mastic sealant		cartr.

ELEMENT_ O205_Parapet cap of the rounded corner

COLOUR	---	---	---	---	---	---	---	---	---	---	---	---	---	---
A	---	---	---	---	---	---	---	---	---	---	---	---	---	---
B	---	---	---	---	---	---	---	---	---	---	---	---	---	---
C	---	---	---	---	---	---	---	---	---	---	---	---	---	---
D	---	---	---	---	---	---	---	---	---	---	---	---	---	---
E	---	---	---	---	---	---	---	---	---	---	---	---	---	---
F	---	---	---	---	---	---	---	---	---	---	---	---	---	---
α	---	---	---	---	---	---	---	---	---	---	---	---	---	---
STEEL SHEET WIDTH	---	---	---	---	---	---	---	---	---	---	---	---	---	---
STEEL SHEET LENGTH	---	---	---	---	---	---	---	---	---	---	---	---	---	---
PIECES	---	---	---	---	---	---	---	---	---	---	---	---	---	---



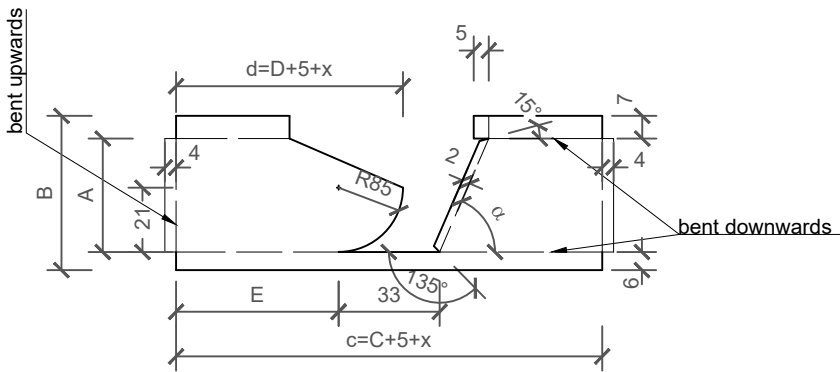
NOTE

- material: Galvanised steel sheet (0,6 mm)
- The complete element should be varnished

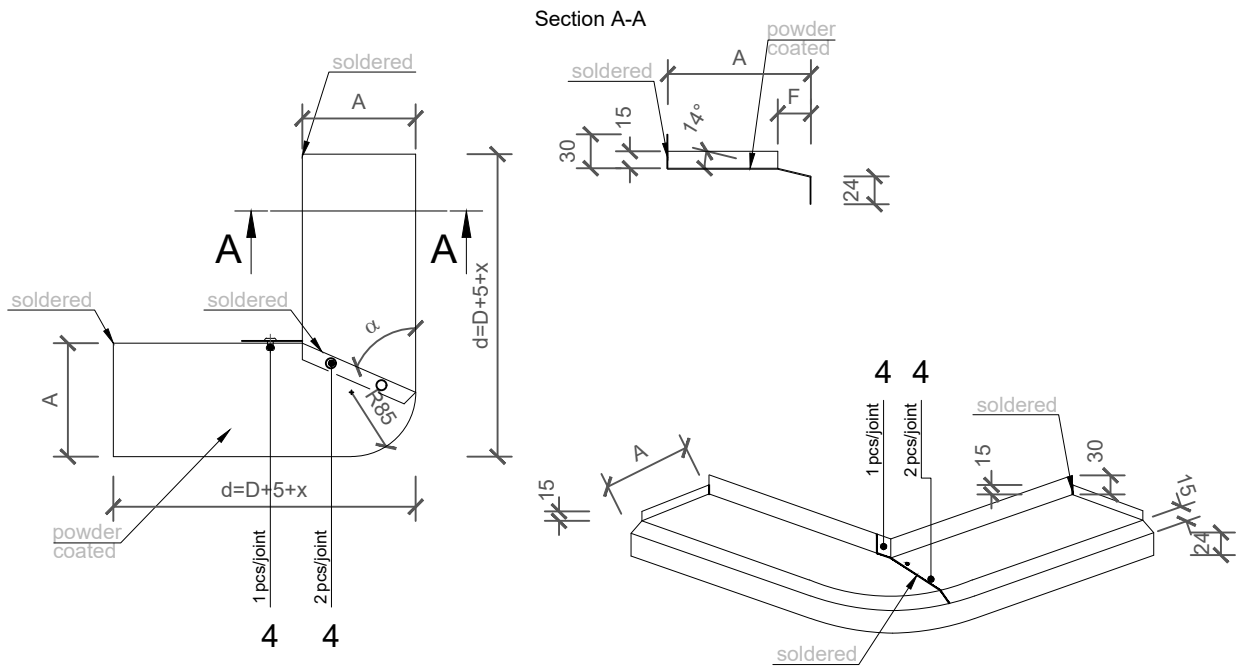
POS	CODE	ELEMENT	AMOUNT	UNIT
4	K001	Rivet 4xL	4	pcs

ELEMENT_ O204_ Drip flashing of the rounded corner

COLOUR	---	---	---	---	---	---	---	---	---	---	---	---	---	---
A	---	---	---	---	---	---	---	---	---	---	---	---	---	---
B	---	---	---	---	---	---	---	---	---	---	---	---	---	---
C	---	---	---	---	---	---	---	---	---	---	---	---	---	---
D	---	---	---	---	---	---	---	---	---	---	---	---	---	---
E	---	---	---	---	---	---	---	---	---	---	---	---	---	---
α	---	---	---	---	---	---	---	---	---	---	---	---	---	---
STEEL SHEET WIDTH	---	---	---	---	---	---	---	---	---	---	---	---	---	---
STEEL SHEET LENGTH	---	---	---	---	---	---	---	---	---	---	---	---	---	---
PIECES	---	---	---	---	---	---	---	---	---	---	---	---	---	---



REFERENCE	
PIECES	



NOTE

- material: Galvanised steel sheet (0,6 mm)
- The complete element should be powder coated
- $X=b-D$. The drip flashing is to be extended from d to the length of the side of the corner panel (b) by additional 5 mm so that the corner panel fits the drip flashing tightly ($d=D+5+x$ or $d=b+5mm$)
- All dimensions are to be extended (in the drawing stated as s) for the difference between the dimension D and d . Example: $C+(x+5)$.

POS	CODE	ELEMENT	AMOUNT	UNIT
4	K001	Rivet 4xL	3	pcs

ELEMENTS 04

Trimo Group holds full copyrights on the information and details provided on this media, therefore any unauthorized reproduction and distribution is strictly prohibited.

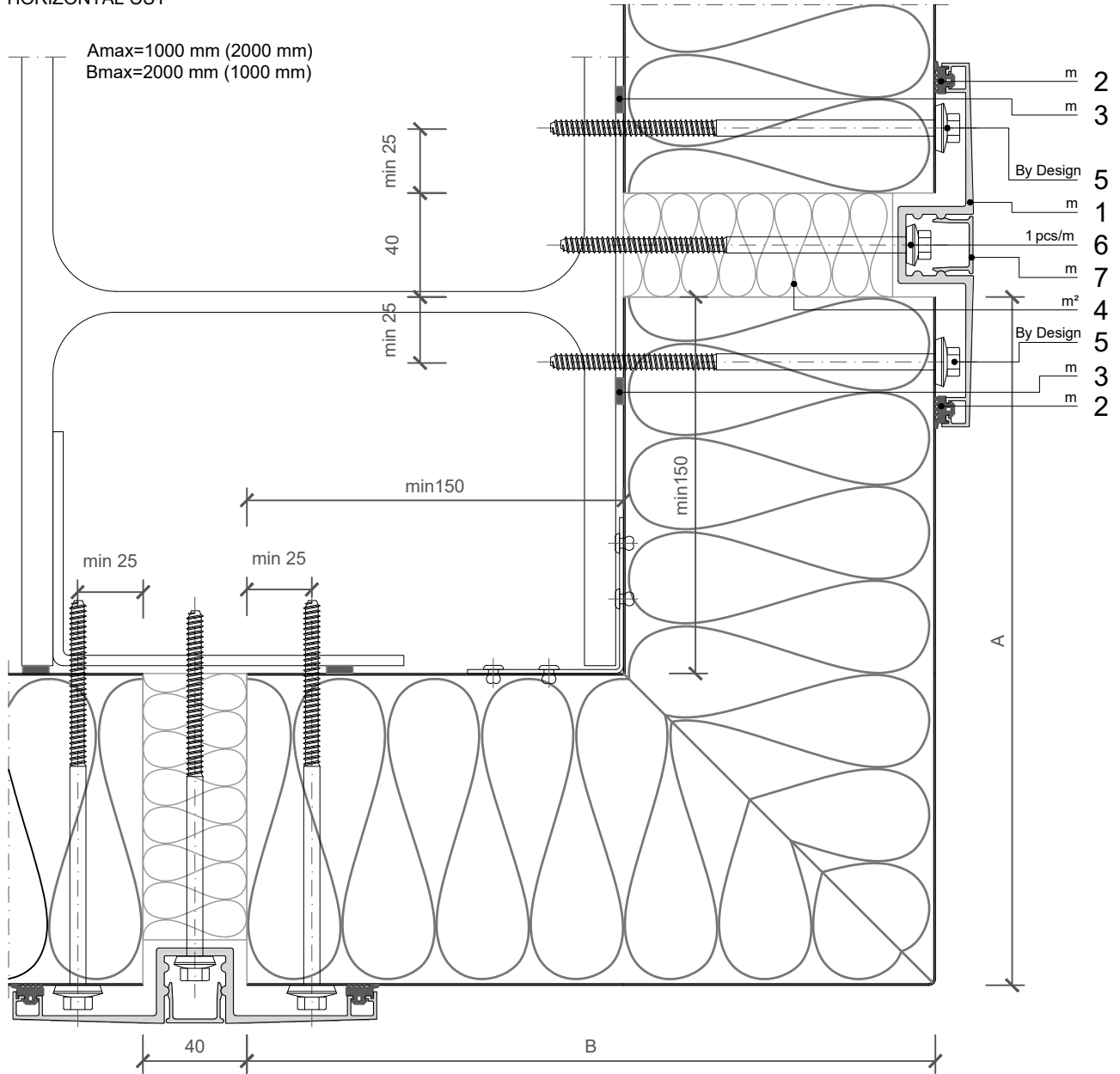
HORIZONTAL INSTALLATION

TRIMOTERM FTV

BUILDING APPLICATION

- External Facade
- Internal Wall
- Roof
- External Soffit
- Internal Ceiling
- Backing panel

HORIZONTAL CUT



NOTE

Joint (according to TE-H-01.04)

POS	CODE	ELEMENT	AMOUNT	UNIT
1	HF140/1	Fixing extrusion		m
2	30023661	Gasket		m
3	30006985	Self adhesive sealing tape 5x10xL		m
4	30027144	Thermal insulation		m ²
5	V130	Fixing screw	By Design	
6	V120	Fixing screw		pcs
7	HF140/2	Decorative extrusion		m

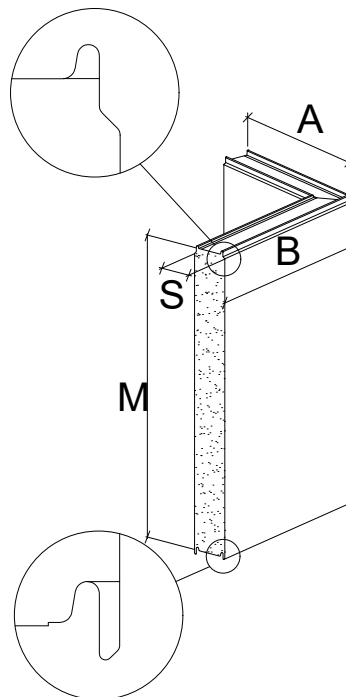
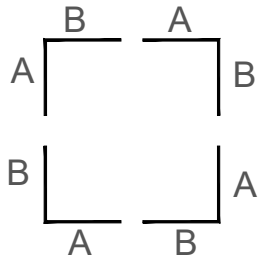
SCALE: M 1:2.5

EXTERNAL CORNER 01

Trimo Group holds full copyrights on the information and details provided on this media, therefore any unauthorized reproduction and distribution is strictly prohibited.

ELEMENT_Corner panel

REFERENCES	PIECES	DIMENSIONS				COATING		COLOUR	
		S	M	A	B	EXT	INT	EXT	INT
---	---	---	---	---	---	---	---	---	---



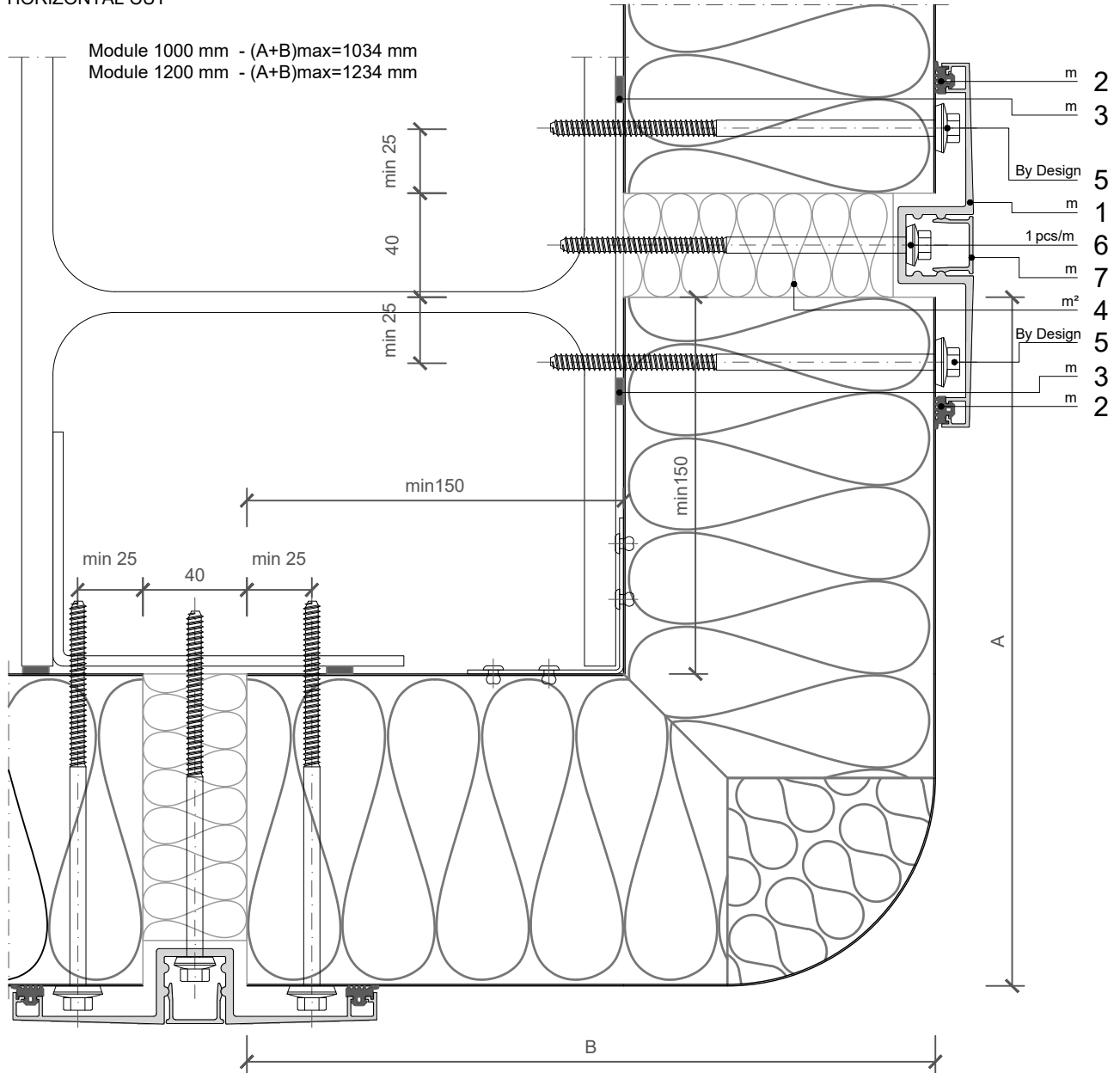
HORIZONTAL INSTALLATION

TRIMOTERM FTV

BUILDING APPLICATION

- External Facade
- Internal Wall
- Roof
- External Soffit
- Internal Ceiling
- Backing panel

HORIZONTAL CUT



NOTE

- Rounded corner can be produced only when the outside steel sheet profile is microlined.
- Joint (according to TE-H-01.04)

POS	CODE	ELEMENT	AMOUNT	UNIT
1	HF140/1	Fixing extrusion		m
2	30023661	Gasket		m
3	30006985	Self adhesive sealing tape 5x10xL		m
4	30027144	Thermal insulation		m²
5	V130	Fixing screw	By Design	
6	V120	Fixing screw		pcs
7	HF140/2	Decorative extrusion		m

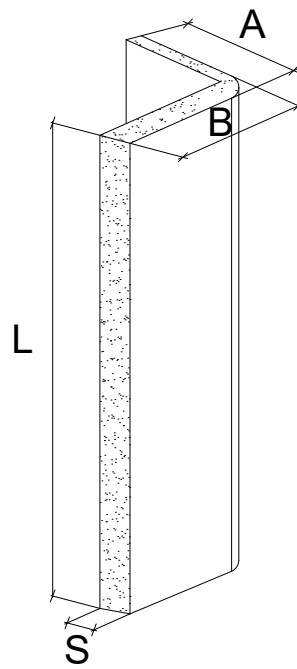
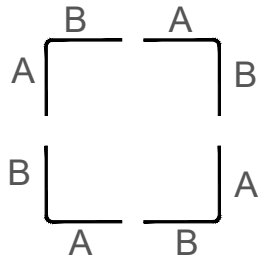
SCALE: M 1:2.5

EXTERNAL CORNER 01

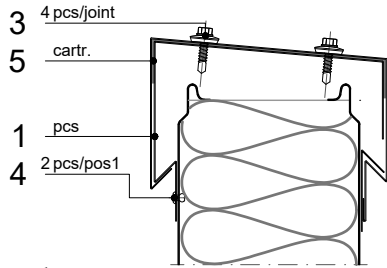
Trimo Group holds full copyrights on the information and details provided on this media, therefore any unauthorized reproduction and distribution is strictly prohibited.

ELEMENT_Corner panel

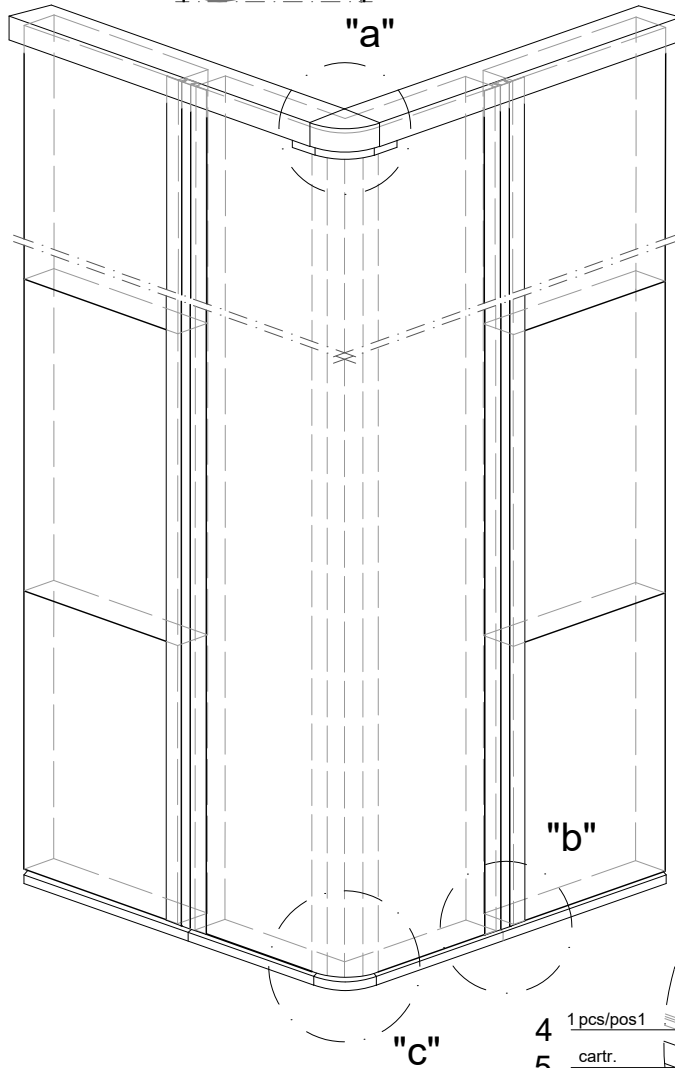
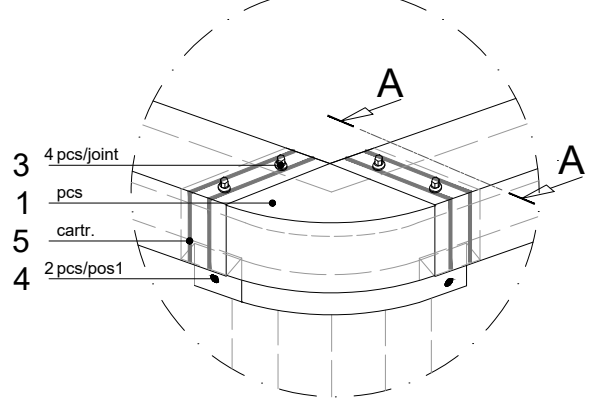
REFERENCES	PIECES	DIMENSIONS				COATING		COLOUR	
		S	L	A	B	EXT	INT	EXT	INT
---	---	---	---	---	---	---	---	---	---



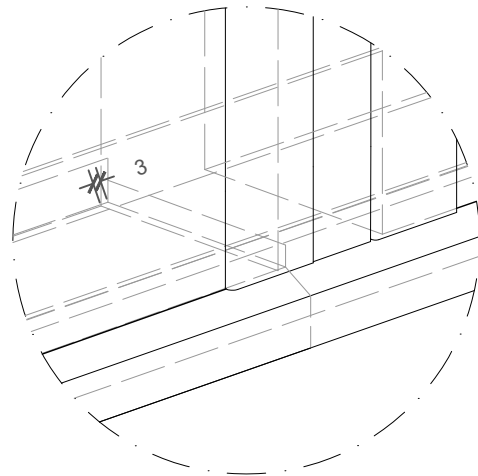
Section A-A



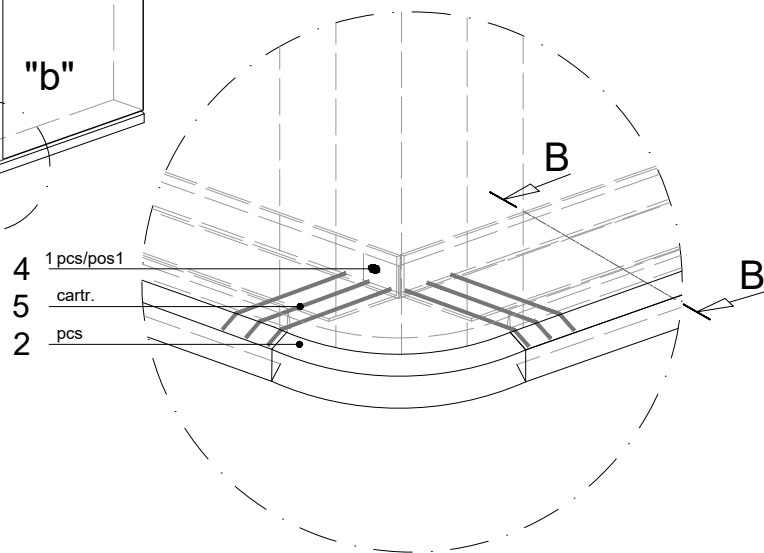
Detail "a"



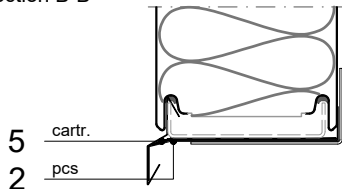
Detail "b"



Detail "c"



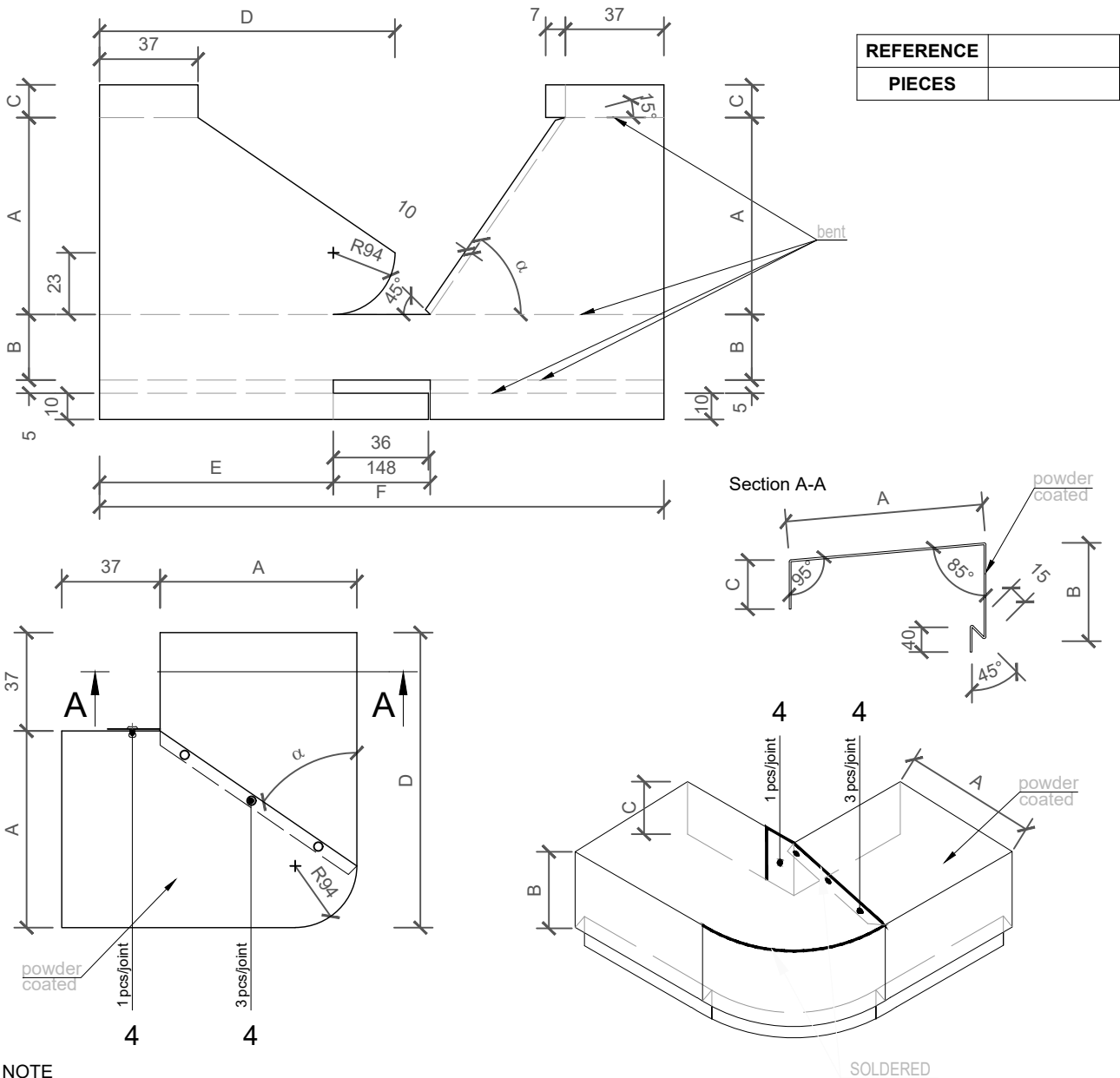
Section B-B



POS	CODE	ELEMENT	AMOUNT	UNIT
1	O205	Parapet cap of the rounded corner	dwg	
2	O204	Drip flashing of the rounded corner	dwg	
3	V230	Fixing screw		pcs
4	K001	Rivet 4xL		pcs
5	30025810	Mastic sealant		cartr.

ELEMENT_ O205_Parapet cap of the rounded corner

COLOUR	---	---	---	---	---	---	---	---	---	---	---	---	---	---
A	---	---	---	---	---	---	---	---	---	---	---	---	---	---
B	---	---	---	---	---	---	---	---	---	---	---	---	---	---
C	---	---	---	---	---	---	---	---	---	---	---	---	---	---
D	---	---	---	---	---	---	---	---	---	---	---	---	---	---
E	---	---	---	---	---	---	---	---	---	---	---	---	---	---
F	---	---	---	---	---	---	---	---	---	---	---	---	---	---
α	---	---	---	---	---	---	---	---	---	---	---	---	---	---
STEEL SHEET WIDTH	---	---	---	---	---	---	---	---	---	---	---	---	---	---
STEEL SHEET LENGTH	---	---	---	---	---	---	---	---	---	---	---	---	---	---
PIECES	---	---	---	---	---	---	---	---	---	---	---	---	---	---



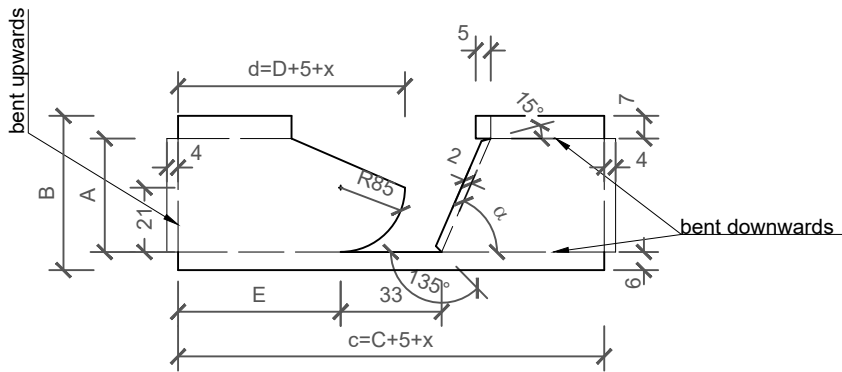
NOTE

- material: Galvanised steel sheet (0,6 mm)
- The complete element should be varnished

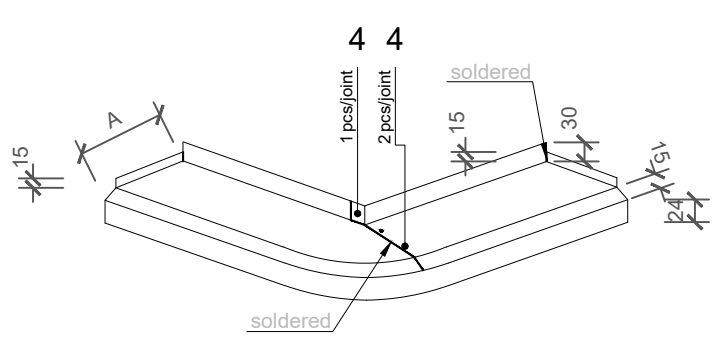
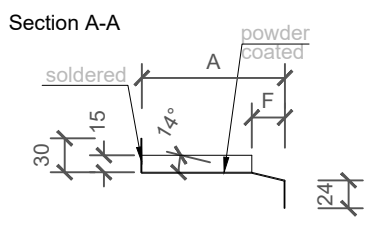
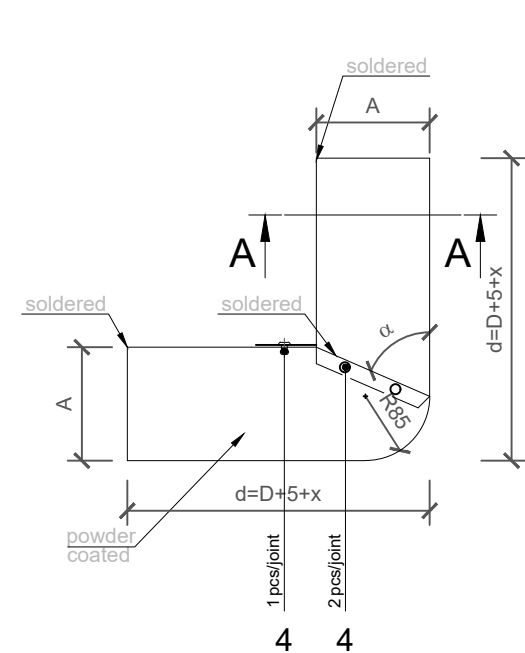
POS	CODE	ELEMENT	AMOUNT	UNIT
4	K001	Rivet 4xL	4	pcs

ELEMENT_ O204_ Drip flashing of the rounded corner

COLOUR	---	---	---	---	---	---	---	---	---	---	---	---	---	---
A	---	---	---	---	---	---	---	---	---	---	---	---	---	---
B	---	---	---	---	---	---	---	---	---	---	---	---	---	---
C	---	---	---	---	---	---	---	---	---	---	---	---	---	---
D	---	---	---	---	---	---	---	---	---	---	---	---	---	---
E	---	---	---	---	---	---	---	---	---	---	---	---	---	---
α	---	---	---	---	---	---	---	---	---	---	---	---	---	---
STEEL SHEET WIDTH	---	---	---	---	---	---	---	---	---	---	---	---	---	---
STEEL SHEET LENGTH	---	---	---	---	---	---	---	---	---	---	---	---	---	---
PIECES	---	---	---	---	---	---	---	---	---	---	---	---	---	---



REFERENCE	
PIECES	



NOTE

- material: Galvanised steel sheet (0,6 mm)
- The complete element should be powder coated
- X=b-D. The drip flashing is to be extended from d to the length of the side of the corner panel (b) by additional 5 mm so that the corner panel fits the drip flashing tightly (d=D+5+x or d=b+5mm)
- All dimensions are to be extended (in the drawing stated as s) for the difference between the dimension D and d. Example: C+(x+5).

POS	CODE	ELEMENT	AMOUNT	UNIT
4	K001	Rivet 4xL	3	pcs

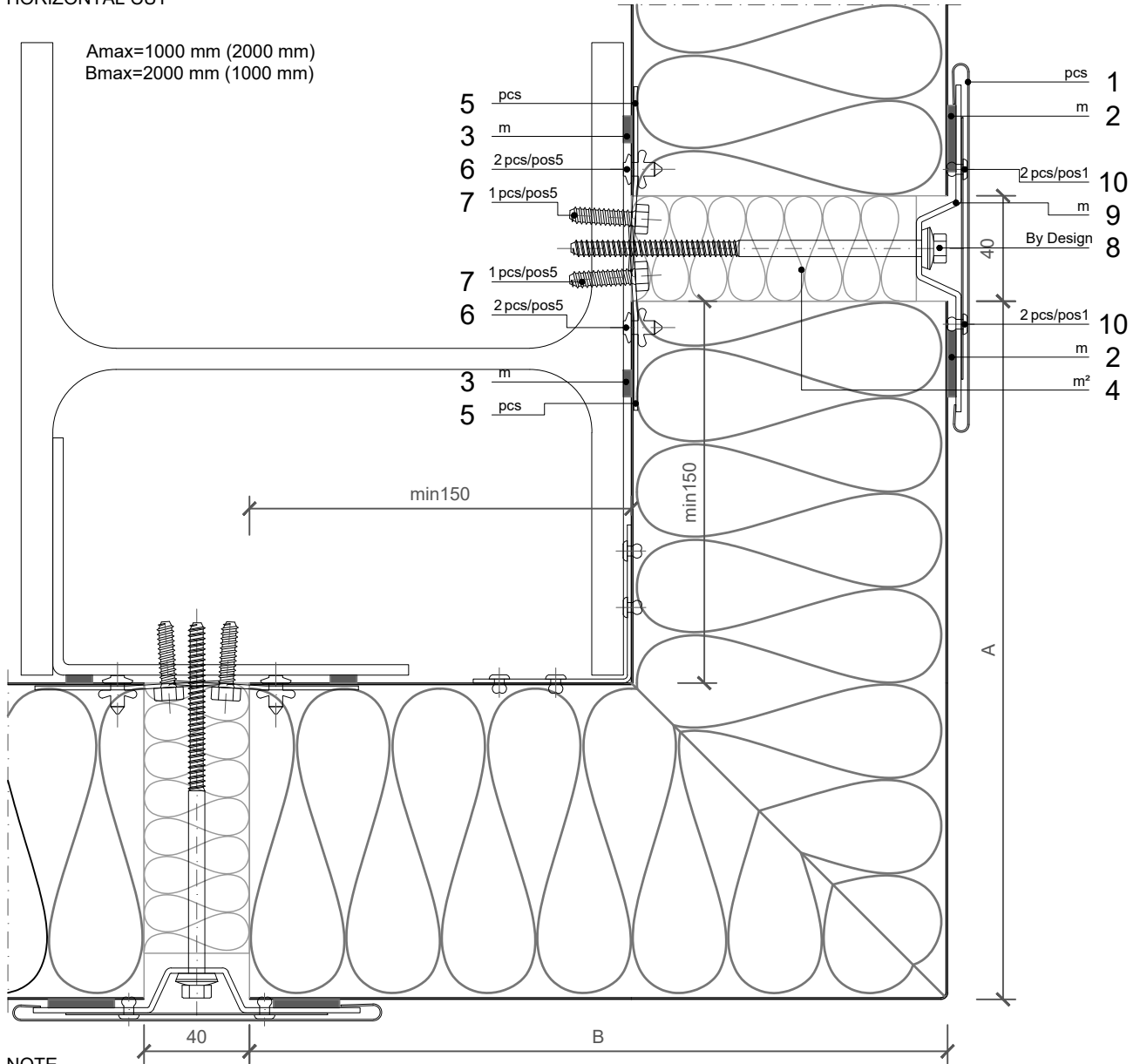
HORIZONTAL INSTALLATION

TRIMOTERM FTV

BUILDING APPLICATION

- External Facade
- Internal Wall
- Roof
- External Soffit
- Internal Ceiling
- Backing panel

HORIZONTAL CUT



NOTE

Joint (according to TE-H-01.05)

POS	CODE	ELEMENT	AMOUNT	UNIT
1	O652	Joint flashing	dwg	
2	30007460	Self adhesive sealing tape 6x25xL		m
3	30006985	Self adhesive sealing tape 5x10xL		m
4	30027144	Thermal insulation		m ²
5	N032	Fixing element	dwg	
6	K011	Bulb tite rivet 5,2xL		pcs
7	V300	Fixing screw		pcs
8	V120	Fixing screw	By Design	
9	N191	Fixing profile		m
10	K001	Rivet 4xL		pcs

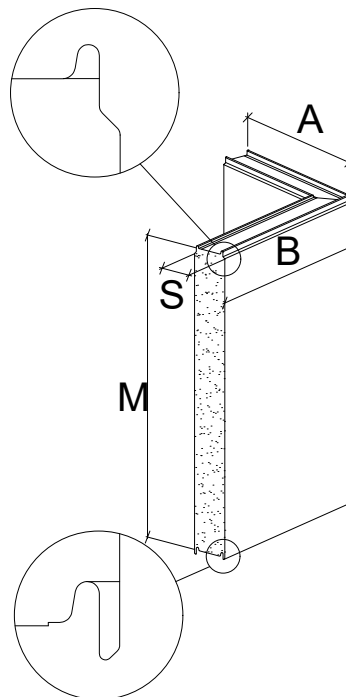
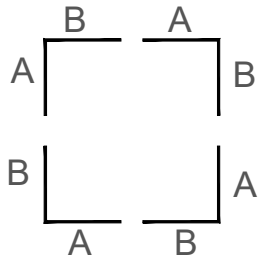
SCALE: M 1:2.5

EXTERNAL CORNER 01

Trimo Group holds full copyrights on the information and details provided on this media, therefore any unauthorized reproduction and distribution is strictly prohibited.

ELEMENT_Corner panel

REFERENCES	PIECES	DIMENSIONS				COATING		COLOUR	
		S	M	A	B	EXT	INT	EXT	INT
---	---	---	---	---	---	---	---	---	---



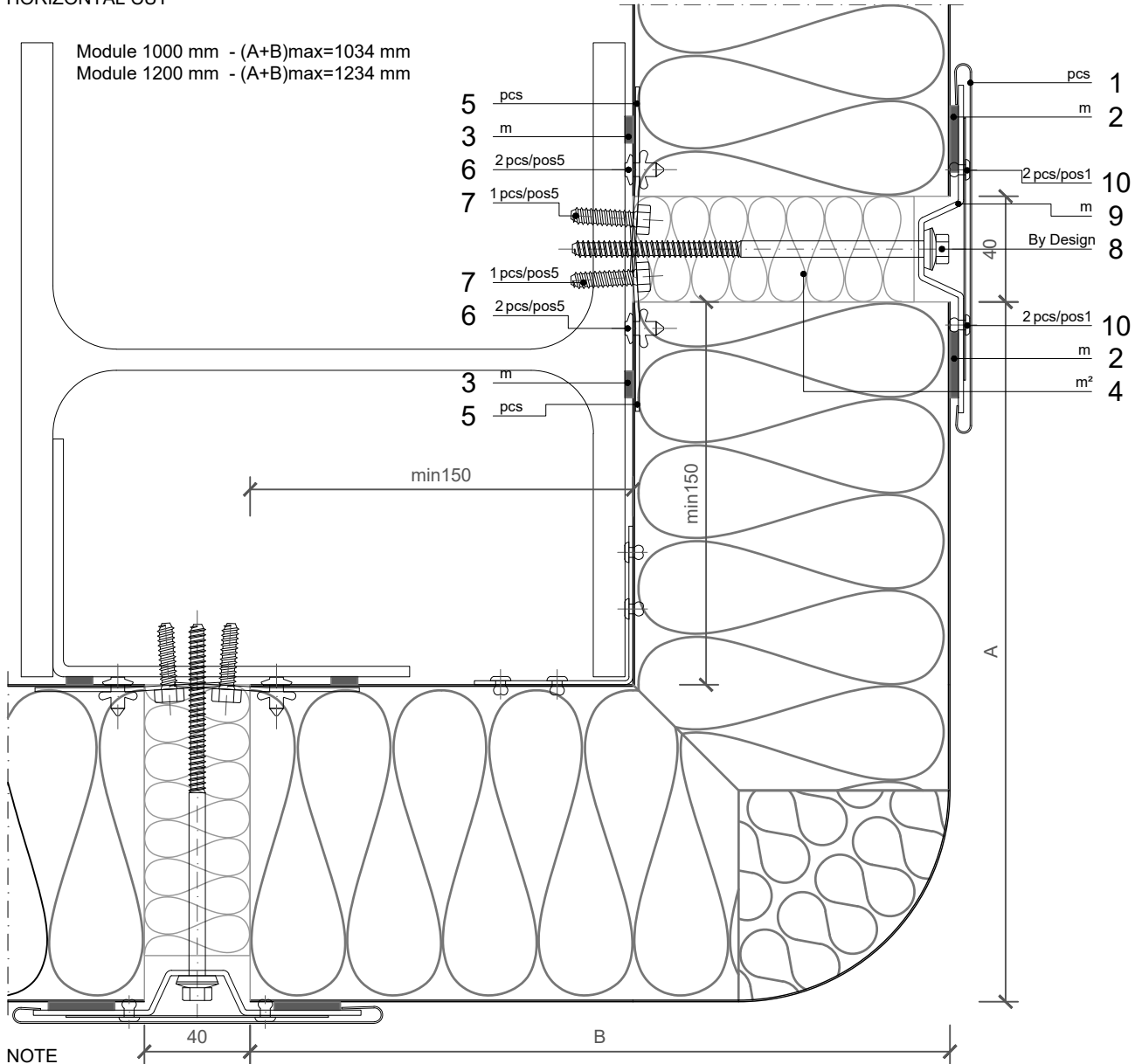
HORIZONTAL INSTALLATION

TRIMOTERM FTV

BUILDING APPLICATION

- External Facade
- Internal Wall
- Roof
- External Soffit
- Internal Ceiling
- Backing panel

HORIZONTAL CUT



NOTE

- Rounded corner can be produced only when the outside steel sheet profile is microlined.
- Joint (according to TE-H-01.05)

POS	CODE	ELEMENT	AMOUNT	UNIT
1	O652	Joint flashing	dwg	
2	30007460	Self adhesive sealing tape 6x25xL		m
3	30006985	Self adhesive sealing tape 5x10xL		m
4	30027144	Thermal insulation		m²
5	N032	Fixing element	dwg	
6	K011	Bulb tite rivet 5,2xL		pcs
7	V300	Fixing screw		pcs
8	V120	Fixing screw	By Design	
9	N191	Fixing profile		m
10	K001	Rivet 4xL		pcs

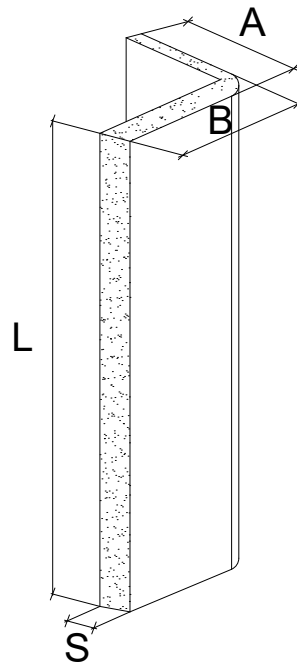
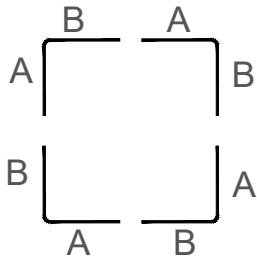
SCALE: M 1:2.5

EXTERNAL CORNER 01

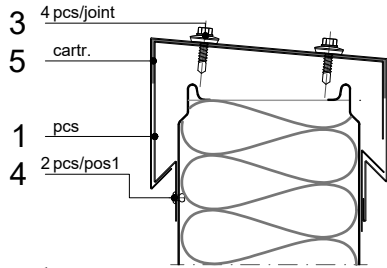
Trimo Group holds full copyrights on the information and details provided on this media, therefore any unauthorized reproduction and distribution is strictly prohibited.

ELEMENT_Corner panel

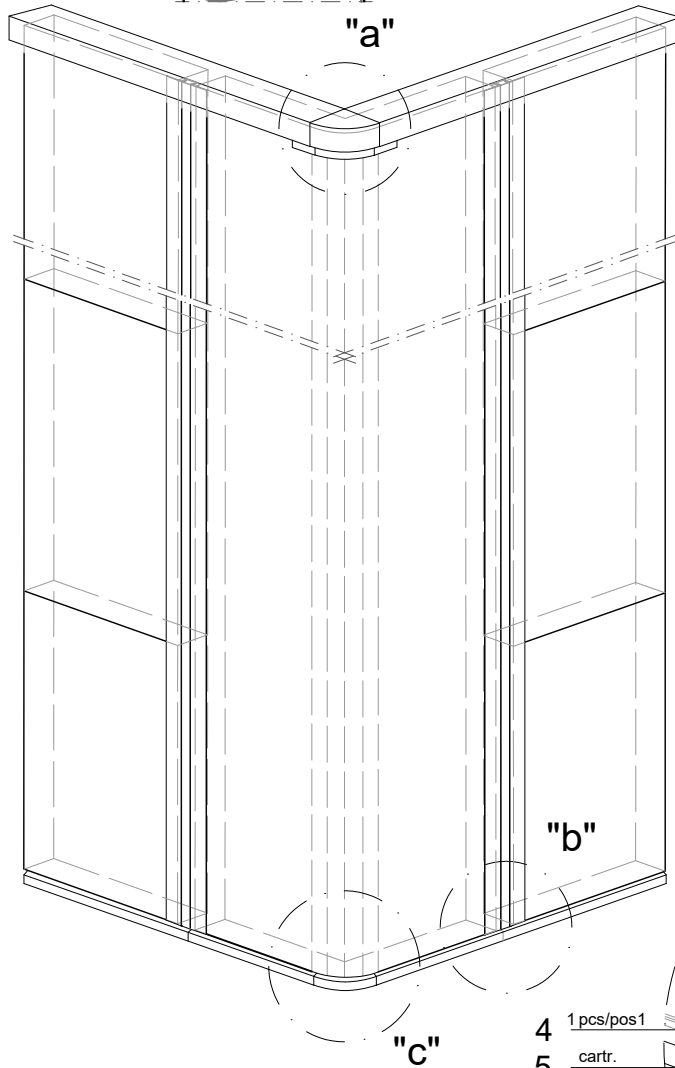
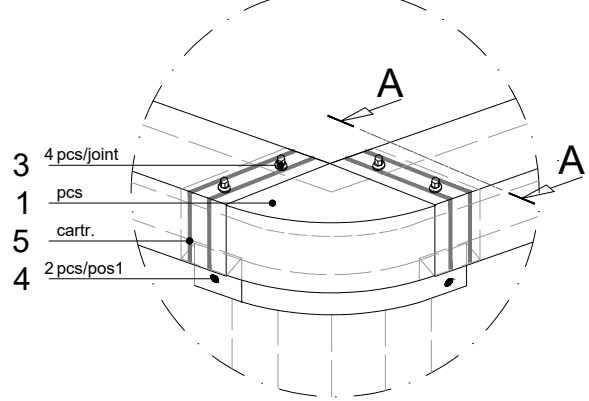
REFERENCES	PIECES	DIMENSIONS				COATING		COLOUR	
		S	L	A	B	EXT	INT	EXT	INT
---	---	---	---	---	---	---	---	---	---



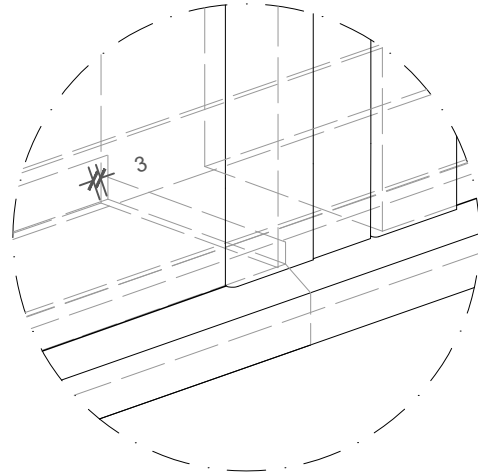
Section A-A



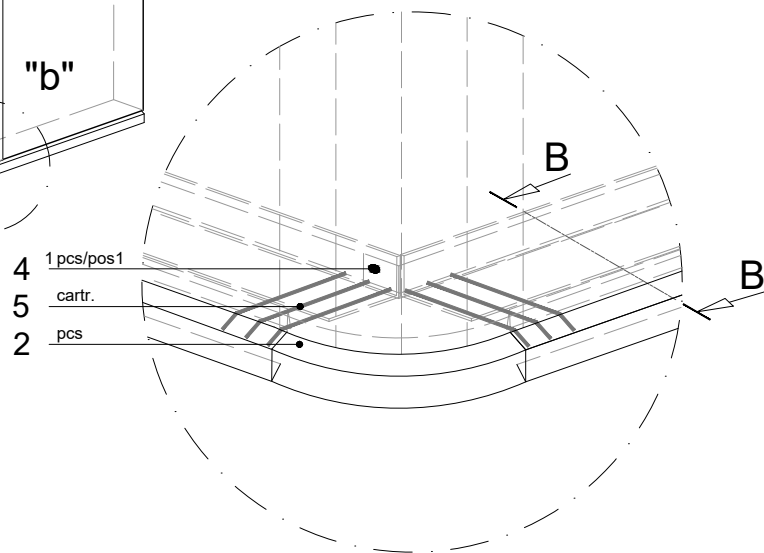
Detail "a"



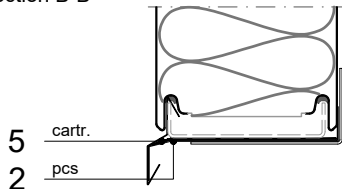
Detail "b"



Detail "c"



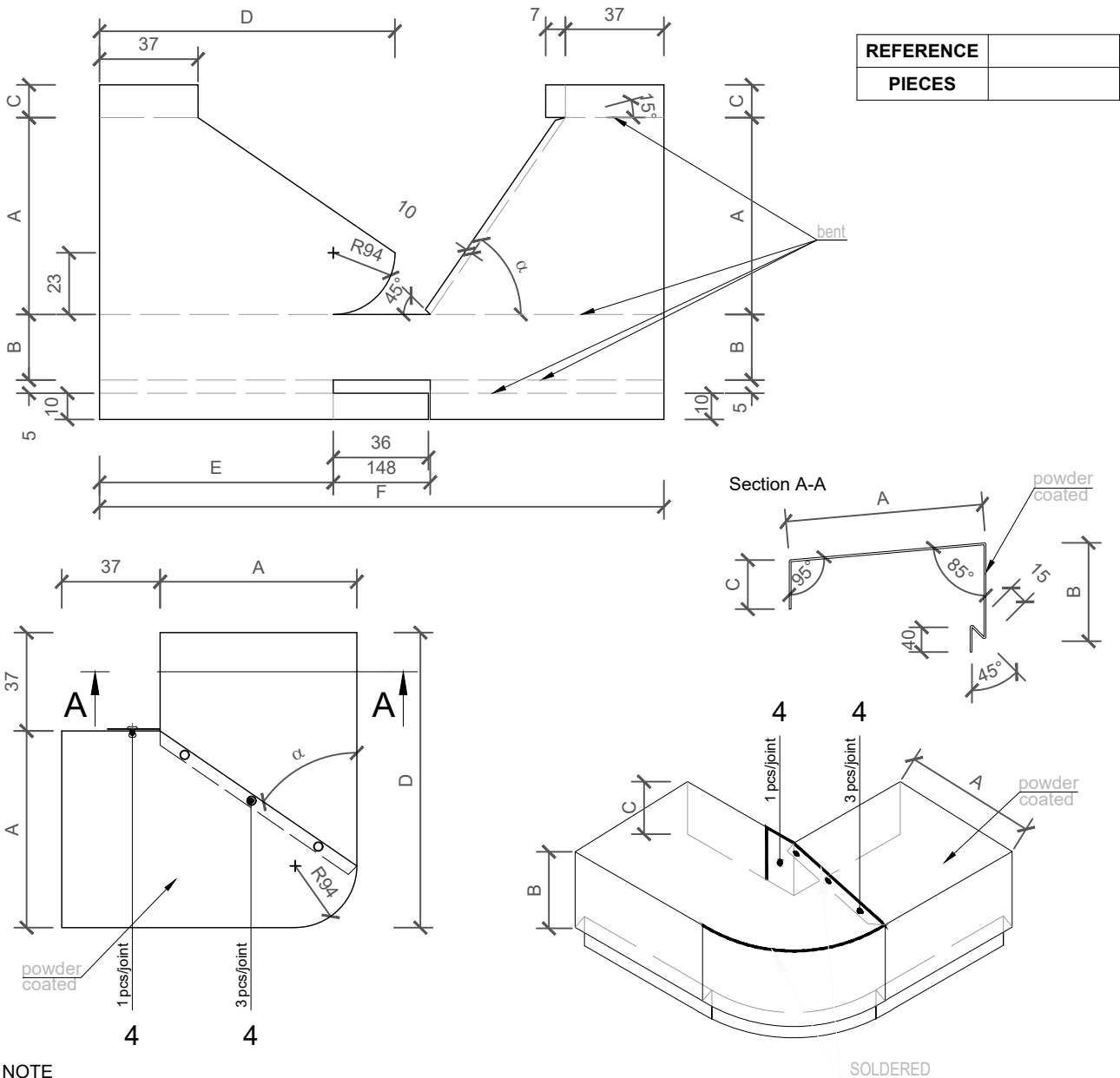
Section B-B



POS	CODE	ELEMENT	AMOUNT	UNIT
1	O205	Parapet cap of the rounded corner	dwg	
2	O204	Drip flashing of the rounded corner	dwg	
3	V230	Fixing screw		pcs
4	K001	Rivet 4xL		pcs
5	30025810	Mastic sealant		cartr.

ELEMENT_ O205_Parapet cap of the rounded corner

COLOUR	---	---	---	---	---	---	---	---	---	---	---	---	---	---
A	---	---	---	---	---	---	---	---	---	---	---	---	---	---
B	---	---	---	---	---	---	---	---	---	---	---	---	---	---
C	---	---	---	---	---	---	---	---	---	---	---	---	---	---
D	---	---	---	---	---	---	---	---	---	---	---	---	---	---
E	---	---	---	---	---	---	---	---	---	---	---	---	---	---
F	---	---	---	---	---	---	---	---	---	---	---	---	---	---
α	---	---	---	---	---	---	---	---	---	---	---	---	---	---
STEEL SHEET WIDTH	---	---	---	---	---	---	---	---	---	---	---	---	---	---
STEEL SHEET LENGTH	---	---	---	---	---	---	---	---	---	---	---	---	---	---
PIECES	---	---	---	---	---	---	---	---	---	---	---	---	---	---



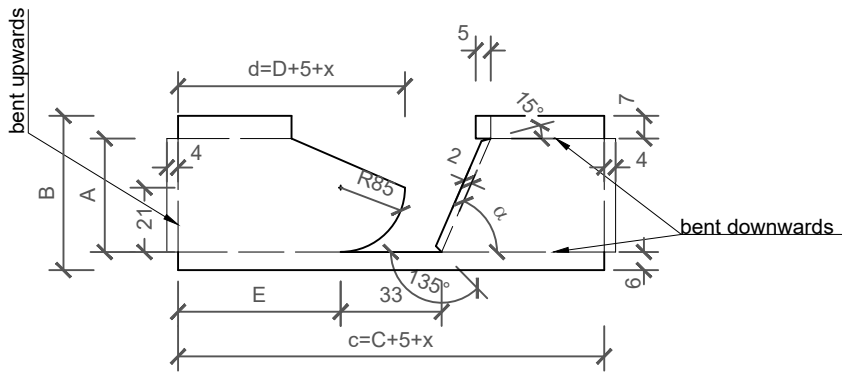
NOTE

- material: Galvanised steel sheet (0,6 mm)
- The complete element should be varnished

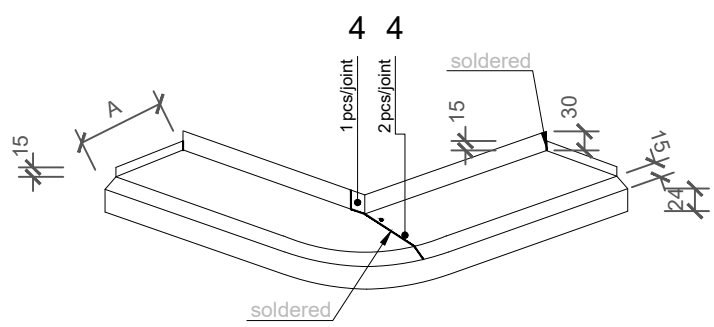
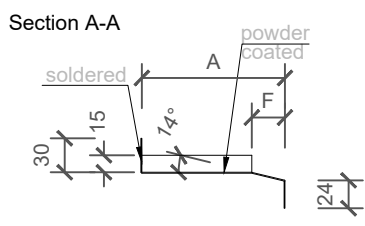
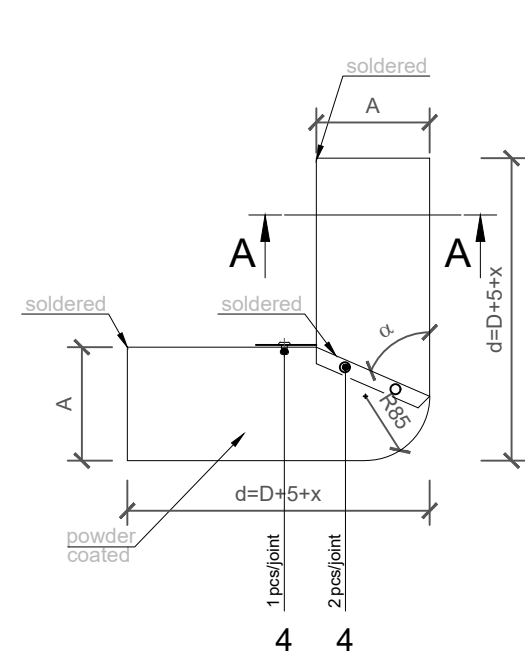
POS	CODE	ELEMENT	AMOUNT	UNIT
4	K001	Rivet 4xL	4	pcs

ELEMENT_ O204_ Drip flashing of the rounded corner

COLOUR	---	---	---	---	---	---	---	---	---	---	---	---	---	---
A	---	---	---	---	---	---	---	---	---	---	---	---	---	---
B	---	---	---	---	---	---	---	---	---	---	---	---	---	---
C	---	---	---	---	---	---	---	---	---	---	---	---	---	---
D	---	---	---	---	---	---	---	---	---	---	---	---	---	---
E	---	---	---	---	---	---	---	---	---	---	---	---	---	---
α	---	---	---	---	---	---	---	---	---	---	---	---	---	---
STEEL SHEET WIDTH	---	---	---	---	---	---	---	---	---	---	---	---	---	---
STEEL SHEET LENGTH	---	---	---	---	---	---	---	---	---	---	---	---	---	---
PIECES	---	---	---	---	---	---	---	---	---	---	---	---	---	---



REFERENCE	
PIECES	



NOTE

- material: Galvanised steel sheet (0,6 mm)
- The complete element should be powder coated
- X=b-D. The drip flashing is to be extended from d to the length of the side of the corner panel (b) by additional 5 mm so that the corner panel fits the drip flashing tightly (d=D+5+x or d=b+5mm)
- All dimensions are to be extended (in the drawing stated as s) for the difference between the dimension D and d. Example: C+(x+5).

POS	CODE	ELEMENT	AMOUNT	UNIT
4	K001	Rivet 4xL	3	pcs

ELEMENTS 04

Trimo Group holds full copyrights on the information and details provided on this media, therefore any unauthorized reproduction and distribution is strictly prohibited.

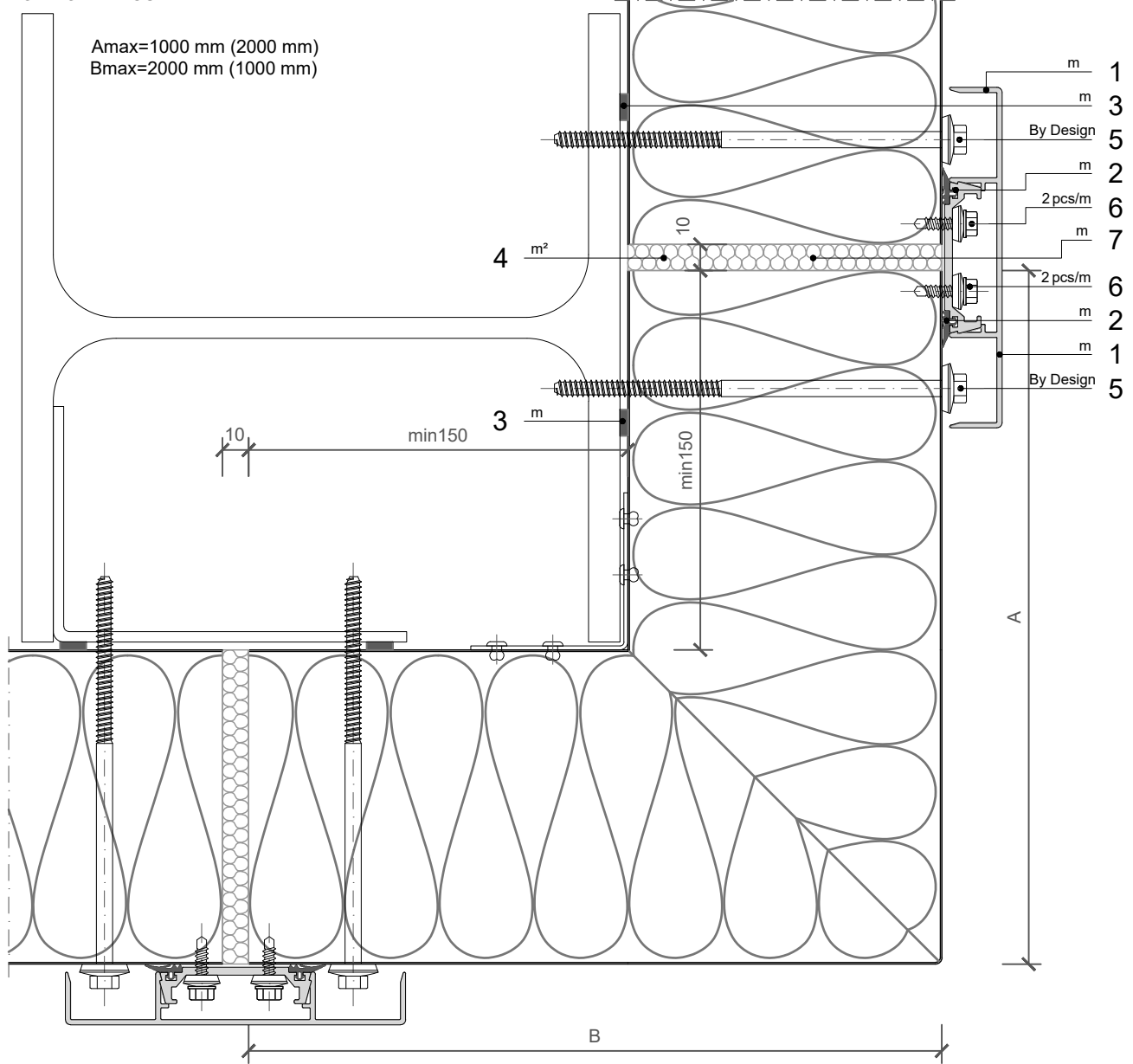
HORIZONTAL INSTALLATION

TRIMOTERM FTV

BUILDING APPLICATION

- External Facade
- Internal Wall
- Roof
- External Soffit
- Internal Ceiling
- Backing panel

HORIZONTAL CUT



NOTE

Joint (according to TE-H-01.06)

POS	CODE	ELEMENT	AMOUNT	UNIT
1	HF4/1	Decorative extrusion		m
2	5017628	Gasket		m
3	30006985	Self adhesive sealing tape 5x10xL		m
4	30027144	Thermal insulation		m ²
5	V130	Fixing screw	By Design	
6	V210	Fixing screw		pcs
7	HF4/2	Aluminium fixing profile		m

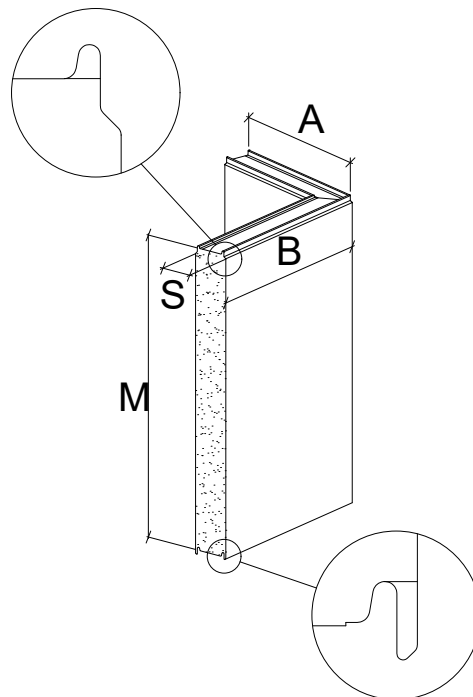
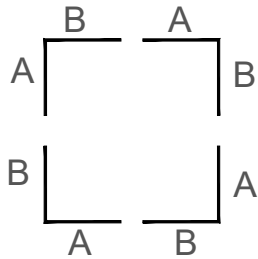
SCALE: M 1:2.5

EXTERNAL CORNER 01

Trimo Group holds full copyrights on the information and details provided on this media, therefore any unauthorized reproduction and distribution is strictly prohibited.

ELEMENT_Corner panel

REFERENCES	PIECES	DIMENSIONS				COATING		COLOUR	
		S	M	A	B	EXT	INT	EXT	INT
---	---	---	---	---	---	---	---	---	---



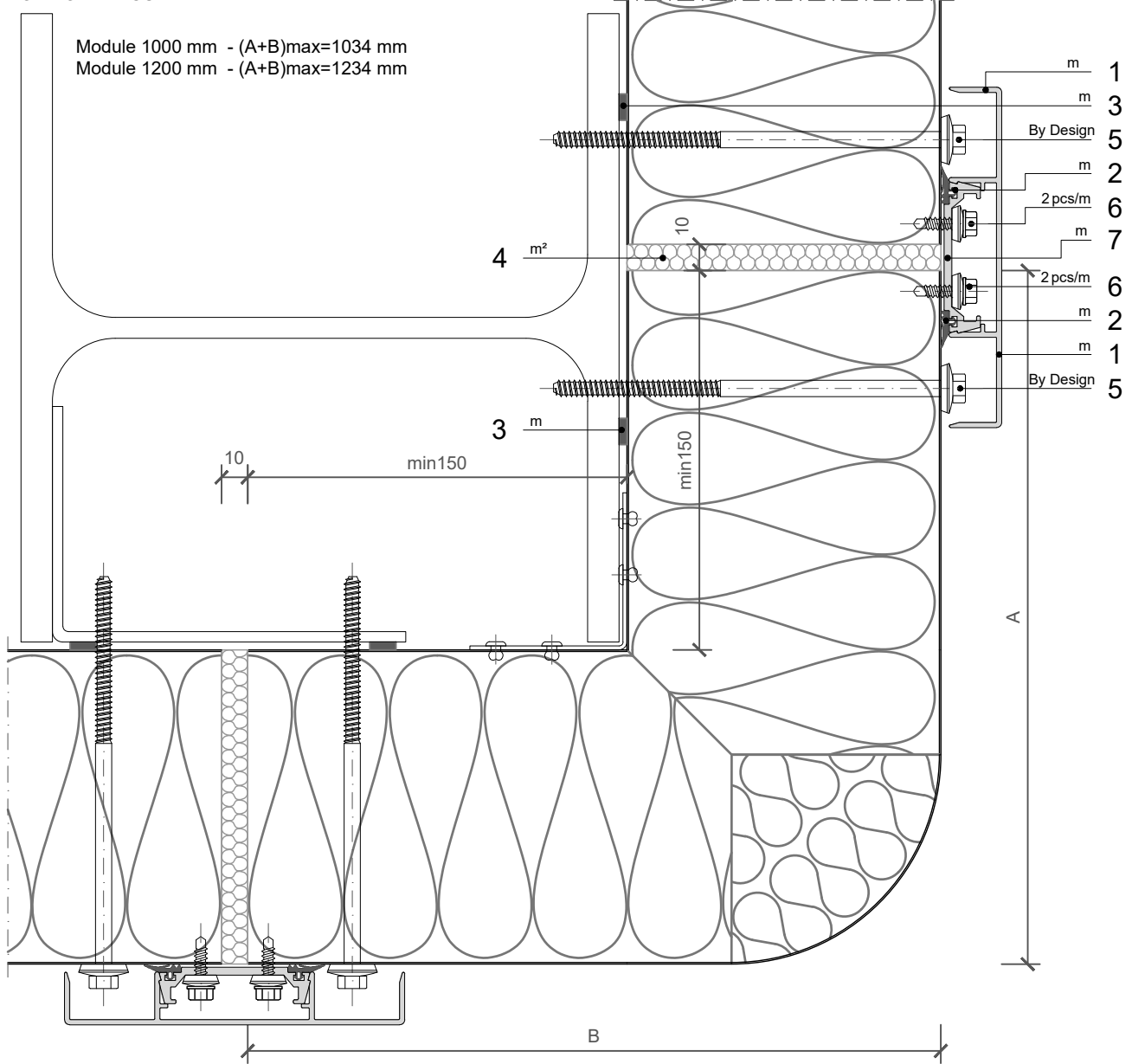
HORIZONTAL INSTALLATION

TRIMOTERM FTV

BUILDING APPLICATION

- External Facade
- Internal Wall
- Roof
- External Soffit
- Internal Ceiling
- Backing panel

HORIZONTAL CUT



NOTE

- Rounded corner can be produced only when the outside steel sheet profile is microlined.
- Joint (according to **TE-H-01.06**)

POS	CODE	ELEMENT	AMOUNT	UNIT
1	HF4/1	Decorative extrusion		m
2	5017628	Gasket		m
3	30006985	Self adhesive sealing tape 5x10xL		m
4	30027144	Thermal insulation		m ²
5	V130	Fixing screw	By Design	
6	V210	Fixing screw		pcs
7	HF4/2	Aluminium fixing profile		m

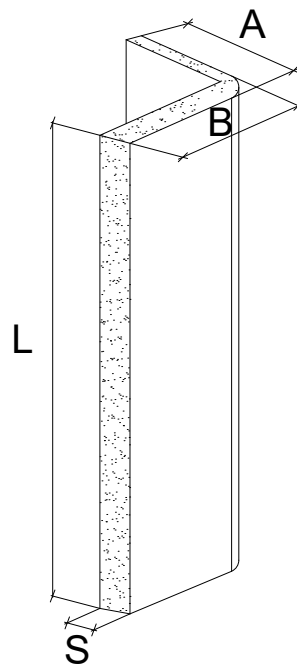
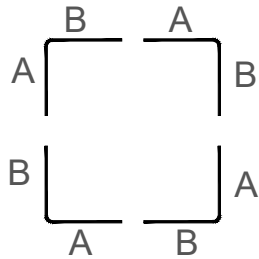
SCALE: M 1:2.5

EXTERNAL CORNER 01

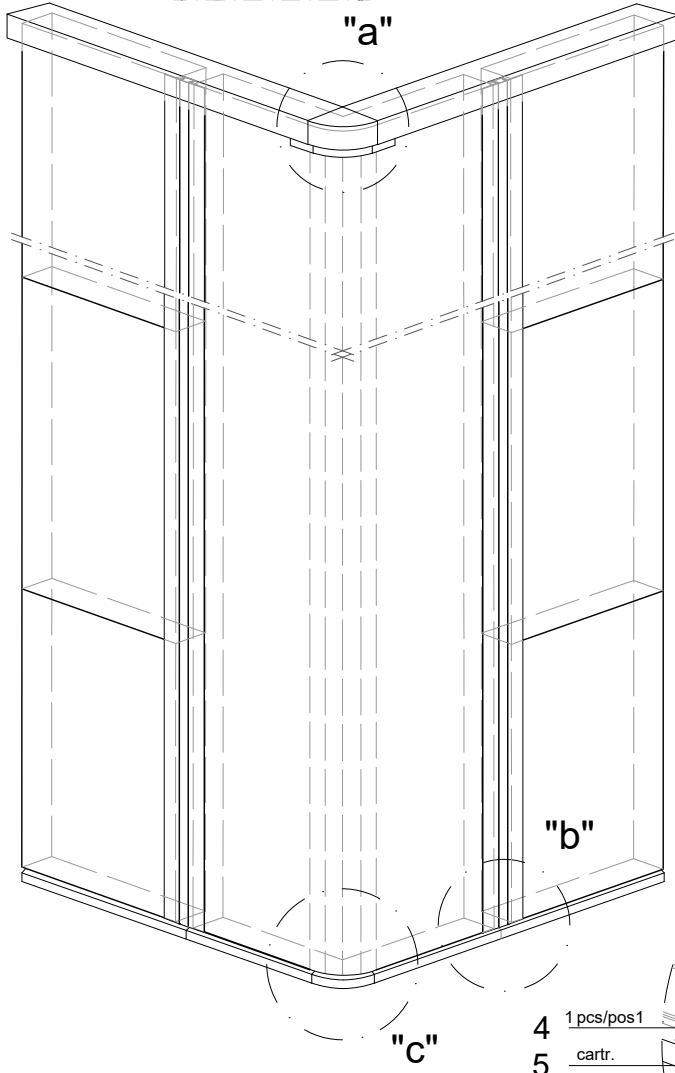
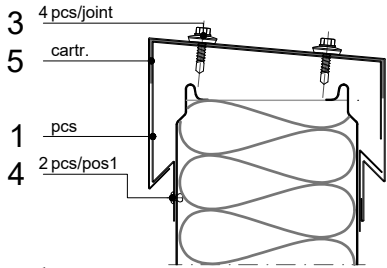
Trimo Group holds full copyrights on the information and details provided on this media, therefore any unauthorized reproduction and distribution is strictly prohibited.

ELEMENT_Corner panel

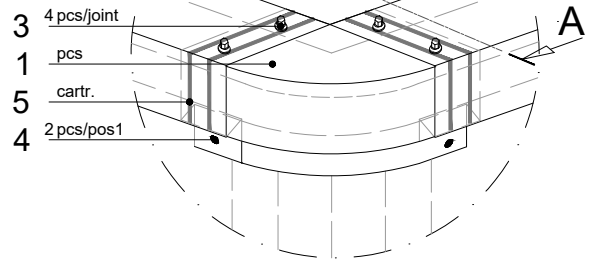
REFERENCES	PIECES	DIMENSIONS				COATING		COLOUR	
		S	L	A	B	EXT	INT	EXT	INT
---	---	---	---	---	---	---	---	---	---



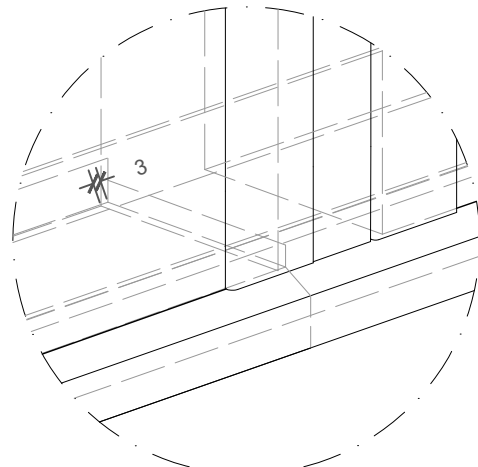
Section A-A



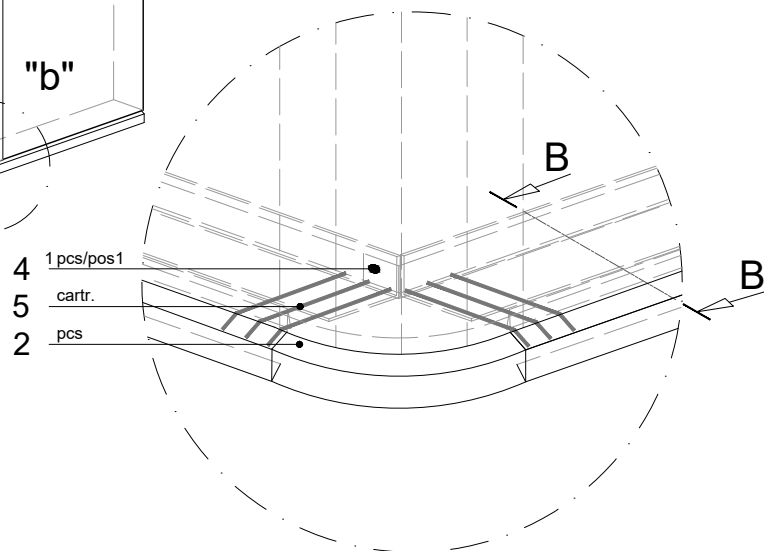
Detail "a"



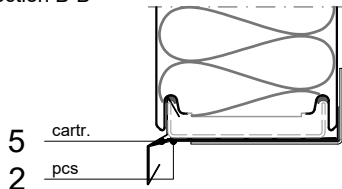
Detail "b"



Detail "c"



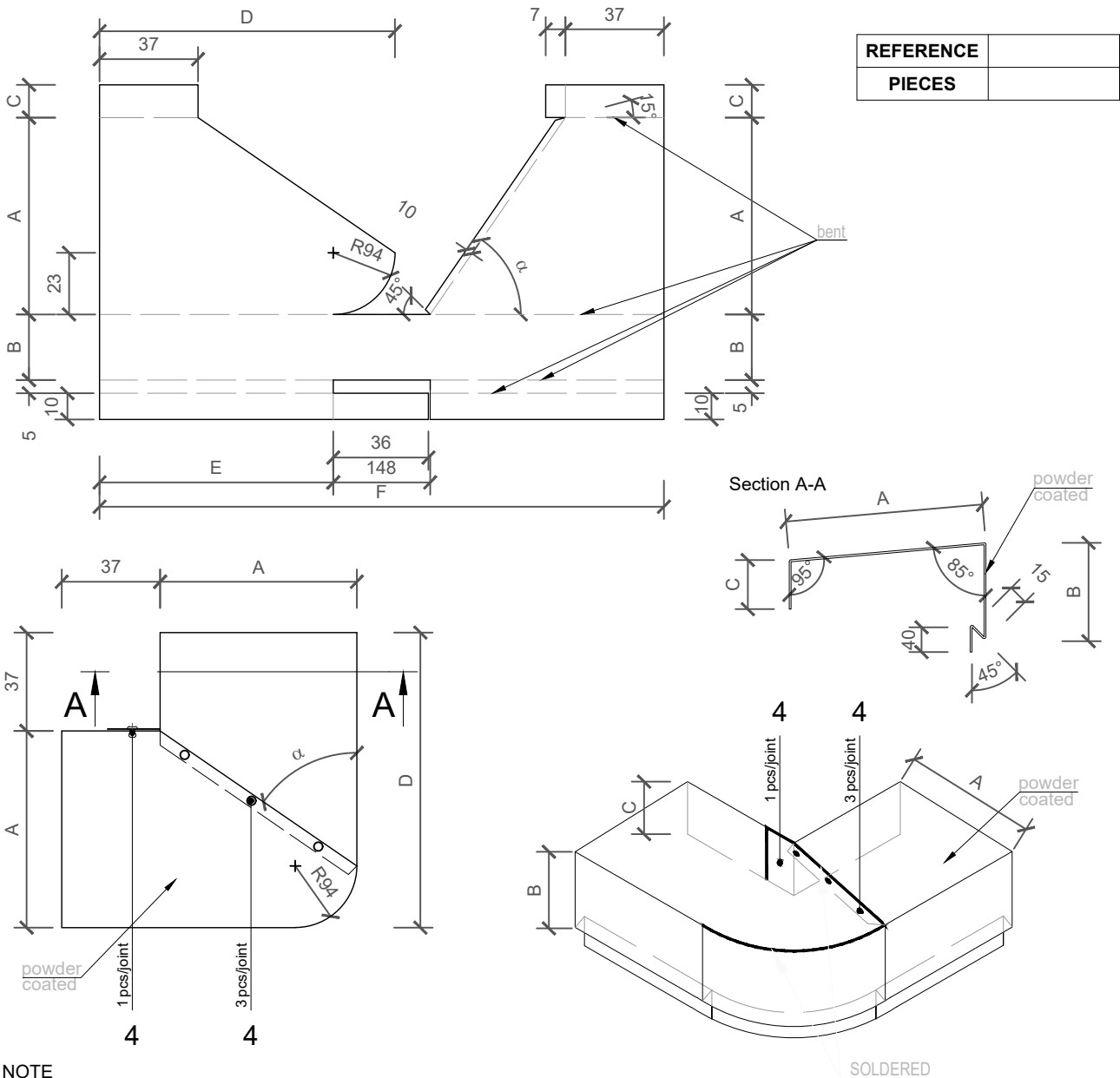
Section B-B



POS	CODE	ELEMENT	AMOUNT	UNIT
1	O205	Parapet cap of the rounded corner	dwg	
2	O204	Drip flashing of the rounded corner	dwg	
3	V230	Fixing screw		pcs
4	K001	Rivet 4xL		pcs
5	30025810	Mastic sealant		cartr.

ELEMENT_ O205_Parapet cap of the rounded corner

COLOUR	---	---	---	---	---	---	---	---	---	---	---	---	---	---
A	---	---	---	---	---	---	---	---	---	---	---	---	---	---
B	---	---	---	---	---	---	---	---	---	---	---	---	---	---
C	---	---	---	---	---	---	---	---	---	---	---	---	---	---
D	---	---	---	---	---	---	---	---	---	---	---	---	---	---
E	---	---	---	---	---	---	---	---	---	---	---	---	---	---
F	---	---	---	---	---	---	---	---	---	---	---	---	---	---
α	---	---	---	---	---	---	---	---	---	---	---	---	---	---
STEEL SHEET WIDTH	---	---	---	---	---	---	---	---	---	---	---	---	---	---
STEEL SHEET LENGTH	---	---	---	---	---	---	---	---	---	---	---	---	---	---
PIECES	---	---	---	---	---	---	---	---	---	---	---	---	---	---



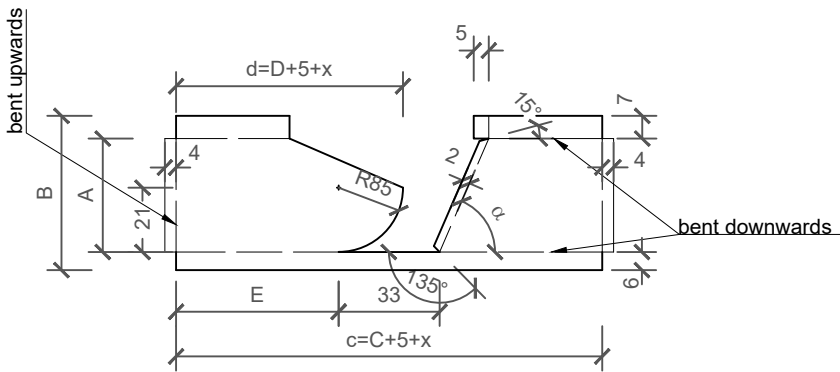
NOTE

- material: Galvanised steel sheet (0,6 mm)
- The complete element should be varnished

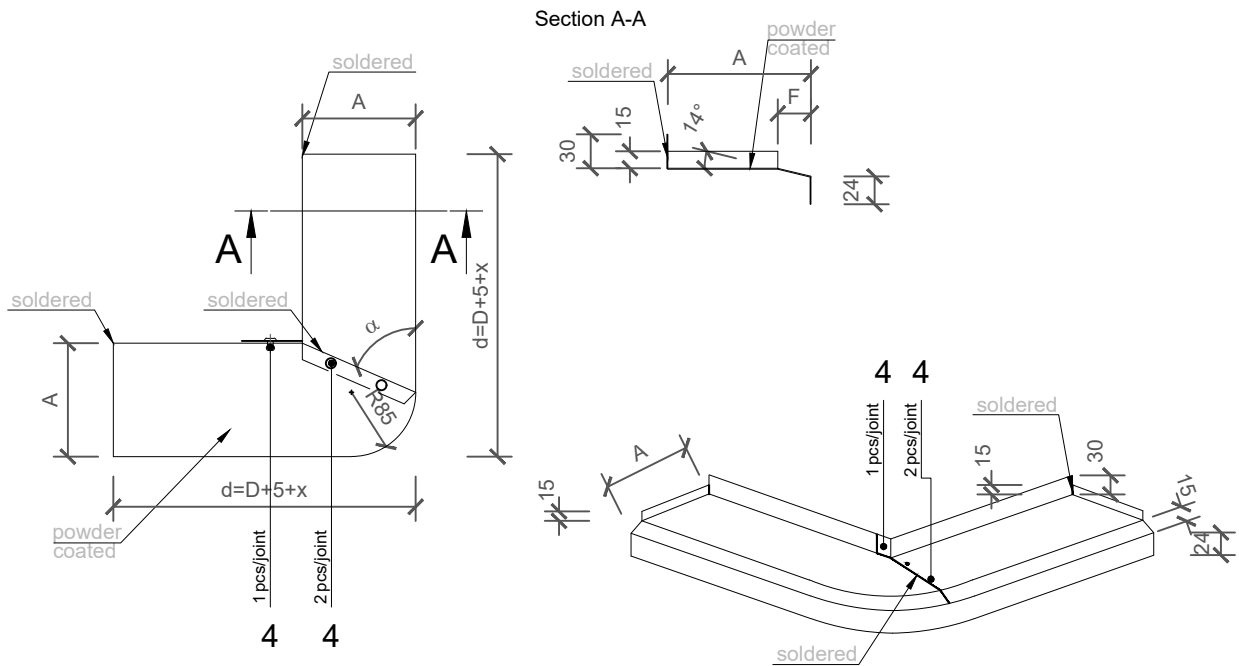
POS	CODE	ELEMENT	AMOUNT	UNIT
4	K001	Rivet 4xL	4	pcs

ELEMENT_ O204_ Drip flashing of the rounded corner

COLOUR	---	---	---	---	---	---	---	---	---	---	---	---	---	---
A	---	---	---	---	---	---	---	---	---	---	---	---	---	---
B	---	---	---	---	---	---	---	---	---	---	---	---	---	---
C	---	---	---	---	---	---	---	---	---	---	---	---	---	---
D	---	---	---	---	---	---	---	---	---	---	---	---	---	---
E	---	---	---	---	---	---	---	---	---	---	---	---	---	---
α	---	---	---	---	---	---	---	---	---	---	---	---	---	---
STEEL SHEET WIDTH	---	---	---	---	---	---	---	---	---	---	---	---	---	---
STEEL SHEET LENGTH	---	---	---	---	---	---	---	---	---	---	---	---	---	---
PIECES	---	---	---	---	---	---	---	---	---	---	---	---	---	---



REFERENCE	
PIECES	



NOTE

- material: Galvanised steel sheet (0,6 mm)
- The complete element should be powder coated
- $X=b-D$. The drip flashing is to be extended from d to the length of the side of the corner panel (b) by additional 5 mm so that the corner panel fits the drip flashing tightly ($d=D+5+x$ or $d=b+5mm$)
- All dimensions are to be extended (in the drawing stated as s) for the difference between the dimension D and d . Example: $C+(x+5)$.

POS	CODE	ELEMENT	AMOUNT	UNIT
4	K001	Rivet 4xL	3	pcs

ELEMENTS 04

Trimo Group holds full copyrights on the information and details provided on this media, therefore any unauthorized reproduction and distribution is strictly prohibited.

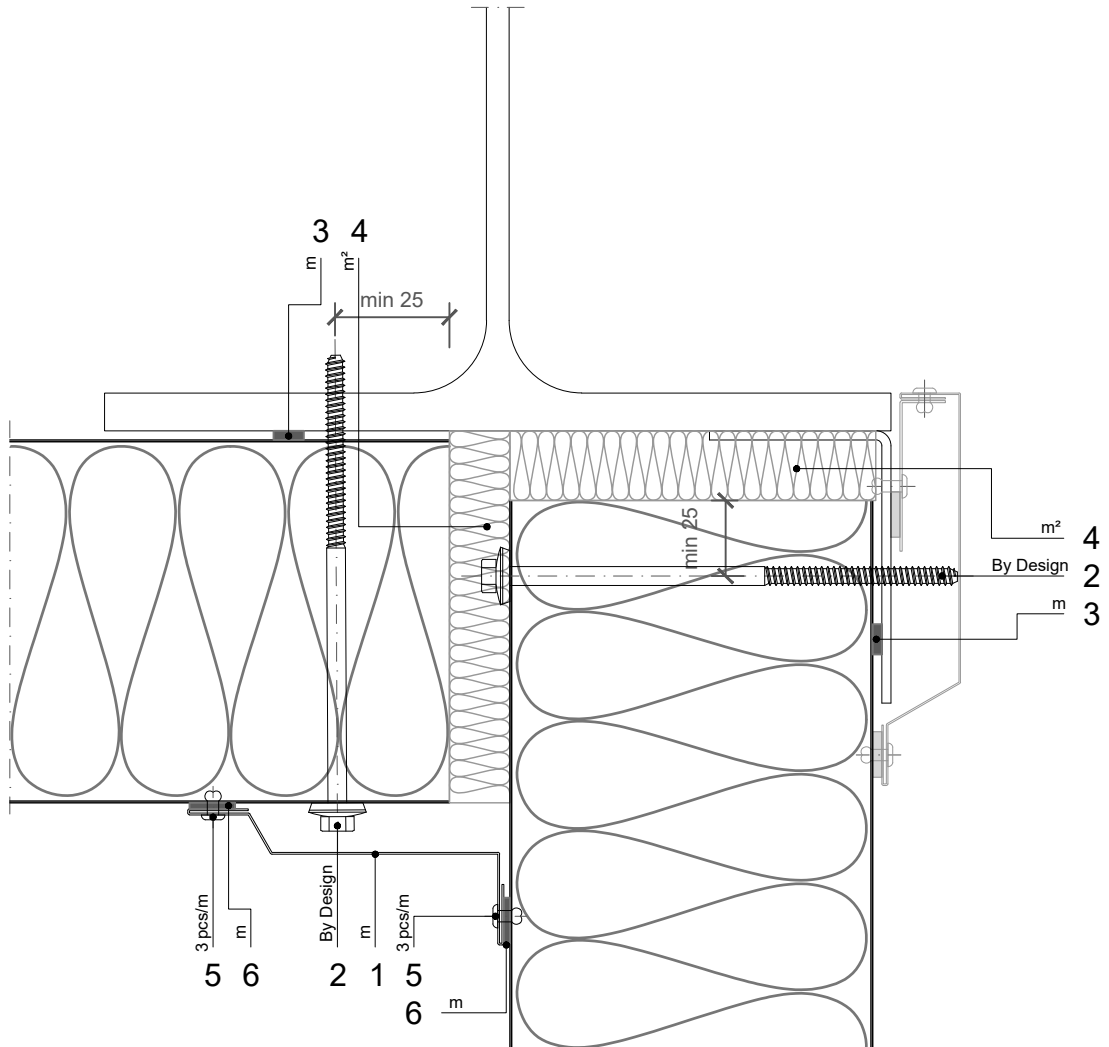
HORIZONTAL INSTALLATION

TRIMOTERM FTV

BUILDING APPLICATION

- External Facade
- Internal Wall
- Roof
- External Soffit
- Internal Ceiling
- Backing panel

HORIZONTAL CUT



NOTE

Apply mastic seal (acc. TE-H-01.01 - ELEMENTS)

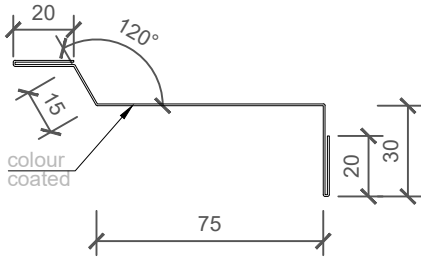
POS	CODE	ELEMENT	AMOUNT	UNIT
1	O570	Corner flashing	dwg	
2	V130	Fixing screw	By Design	
3	30006985	Self adhesive sealing tape 5x10xL		m
4	30027144	Thermal insulation		m ²
5	K001	Rivet 4xL		pcs
6	30031696	Self adhesive sealing tape 3x15xL (EPDM)		m

SCALE: M 1:2.5

INTERNAL CORNER 01

Trimo Group holds full copyrights on the information and details provided on this media, therefore any unauthorized reproduction and distribution is strictly prohibited.

ELEMENT_O570_Corner flashing



REFERENCE	
COLOUR	
LENGTH	
PIECES	

NOTES

material: Colored metal sheet
 thickness [mm]: 0,6
 sheet width [mm]: 180
 folds: 7
 Lmax [mm] = 6000

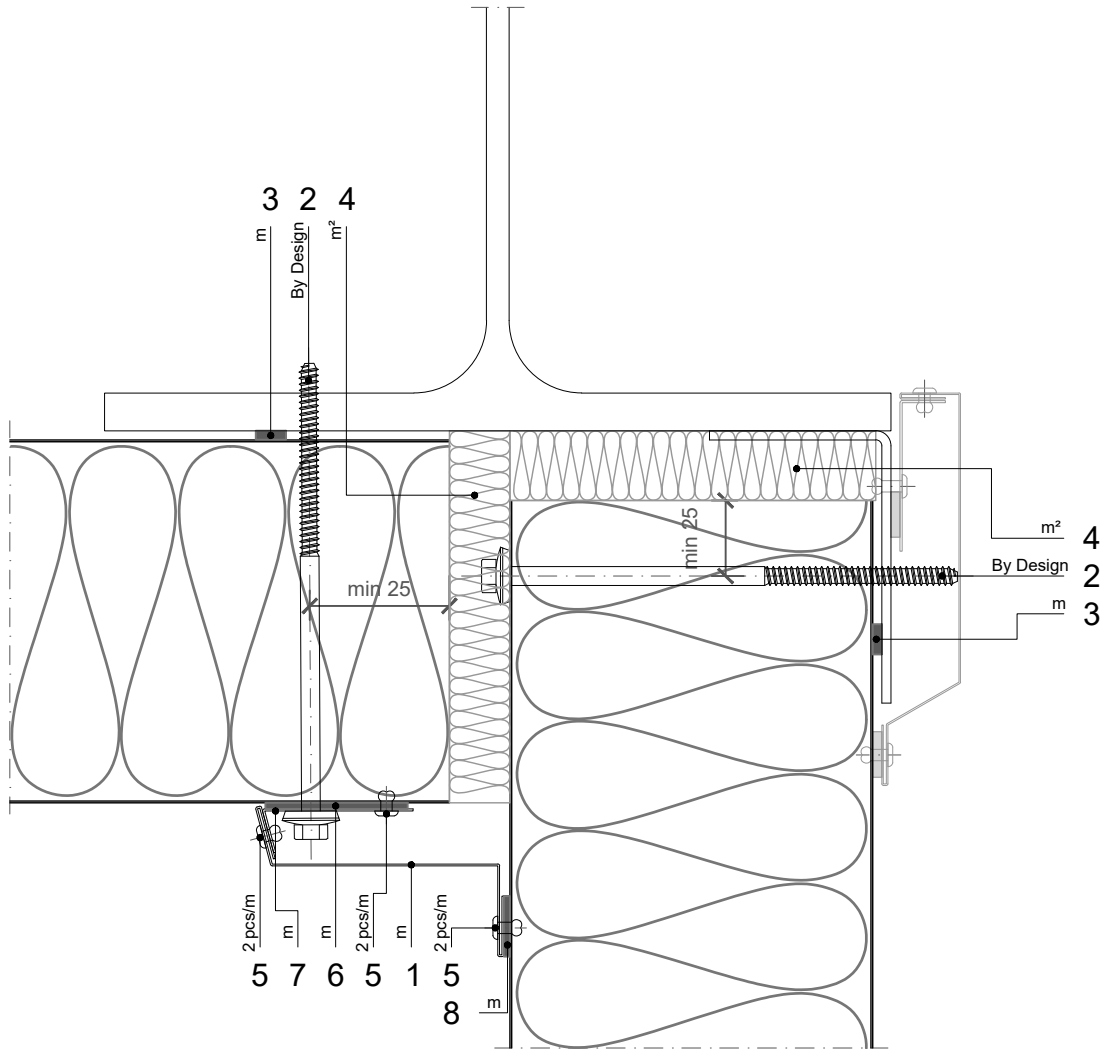
HORIZONTAL INSTALLATION

TRIMOTERM FTV

BUILDING APPLICATION

- External Facade
- Internal Wall
- Roof
- External Soffit
- Internal Ceiling
- Backing panel

HORIZONTAL CUT



NOTE

Apply mastic seal (acc. TE-H-01.01 - ELEMENTS)

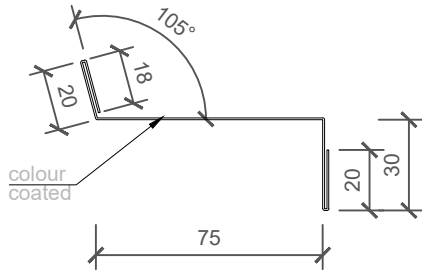
POS	CODE	ELEMENT	AMOUNT	UNIT
1	O571	Corner flashing	dwg	
2	V130	Fixing screw	By Design	
3	30006985	Self adhesive sealing tape 5x10xL		m
4	30027144	Thermal insulation		m²
5	K001	Rivet 4xL		pcs
6	5012487	Self adhesive sealing tape 2x47xL (EPDM)		m
7	O139	Joint flashing support	dwg	
8	30031696	Self adhesive sealing tape 3x15xL (EPDM)		m

SCALE: M 1:2.5

INTERNAL CORNER 01

Trimo Group holds full copyrights on the information and details provided on this media, therefore any unauthorized reproduction and distribution is strictly prohibited.

ELEMENT_ O571_Corner flashing

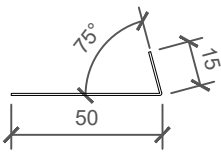


REFERENCE	
COLOUR	
LENGTH	
PIECES	

NOTES

material: Colored metal sheet
 thickness [mm]: 0,6
 sheet width [mm]: 163
 folds: 6
 Lmax [mm] = 6000

ELEMENT_ O139_Joint flashing support



REFERENCE	
LENGTH	
PIECES	

NOTES

material: Galvanized metal sheet
 thickness [mm]: 0,7
 sheet width [mm]: 65
 folds: 1
 Lmax [mm] = 6000

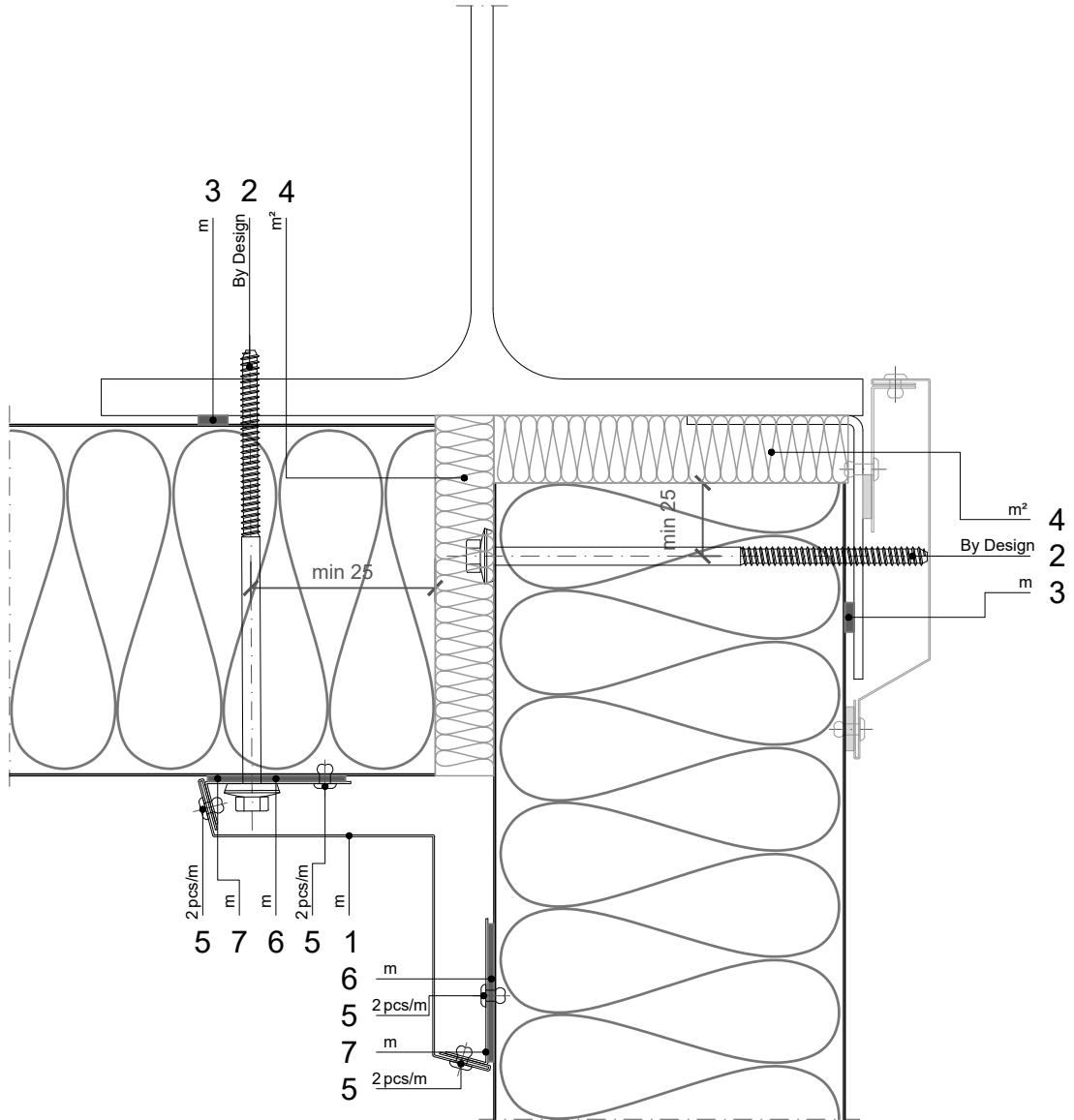
HORIZONTAL INSTALLATION

TRIMOTERM FTV

BUILDING APPLICATION

- External Facade
- Internal Wall
- Roof
- External Soffit
- Internal Ceiling
- Backing panel

HORIZONTAL CUT



NOTE

Apply mastic seal (acc. **TE-H-01.01 - ELEMENTS**)

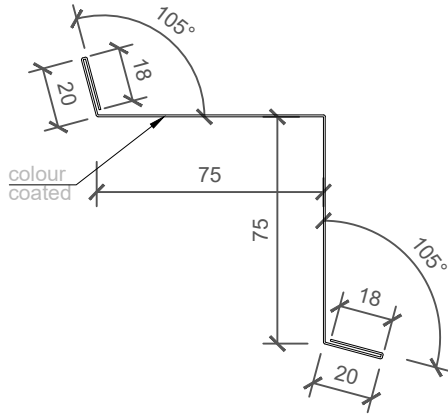
POS	CODE	ELEMENT	AMOUNT	UNIT
1	O572	Corner flashing	dwg	
2	V130	Fixing screw	By Design	
3	30006985	Self adhesive sealing tape 5x10xL		m
4	30027144	Thermal insulation		m ²
5	K001	Rivet 4xL		pcs
6	5012487	Self adhesive sealing tape 2x47xL (EPDM)		m
7	O139	Joint flashing support	dwg	

SCALE: M 1:2.5

INTERNAL CORNER 01

Trimo Group holds full copyrights on the information and details provided on this media, therefore any unauthorized reproduction and distribution is strictly prohibited.

ELEMENT_ O572_Corner flashing

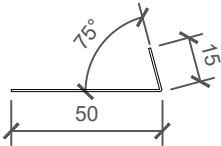


REFERENCE	
COLOUR	
LENGTH	
PIECES	

NOTES

material: Colored metal sheet
 thickness [mm]: 0,6
 sheet width [mm]: 226
 folds: 7
 Lmax [mm] = 6000

ELEMENT_ O139_Joint flashing support



REFERENCE	
LENGTH	
PIECES	

NOTES

material: Galvanized metal sheet
 thickness [mm]: 0,7
 sheet width [mm]: 65
 folds: 1
 Lmax [mm] = 6000

HORIZONTAL INSTALLATION

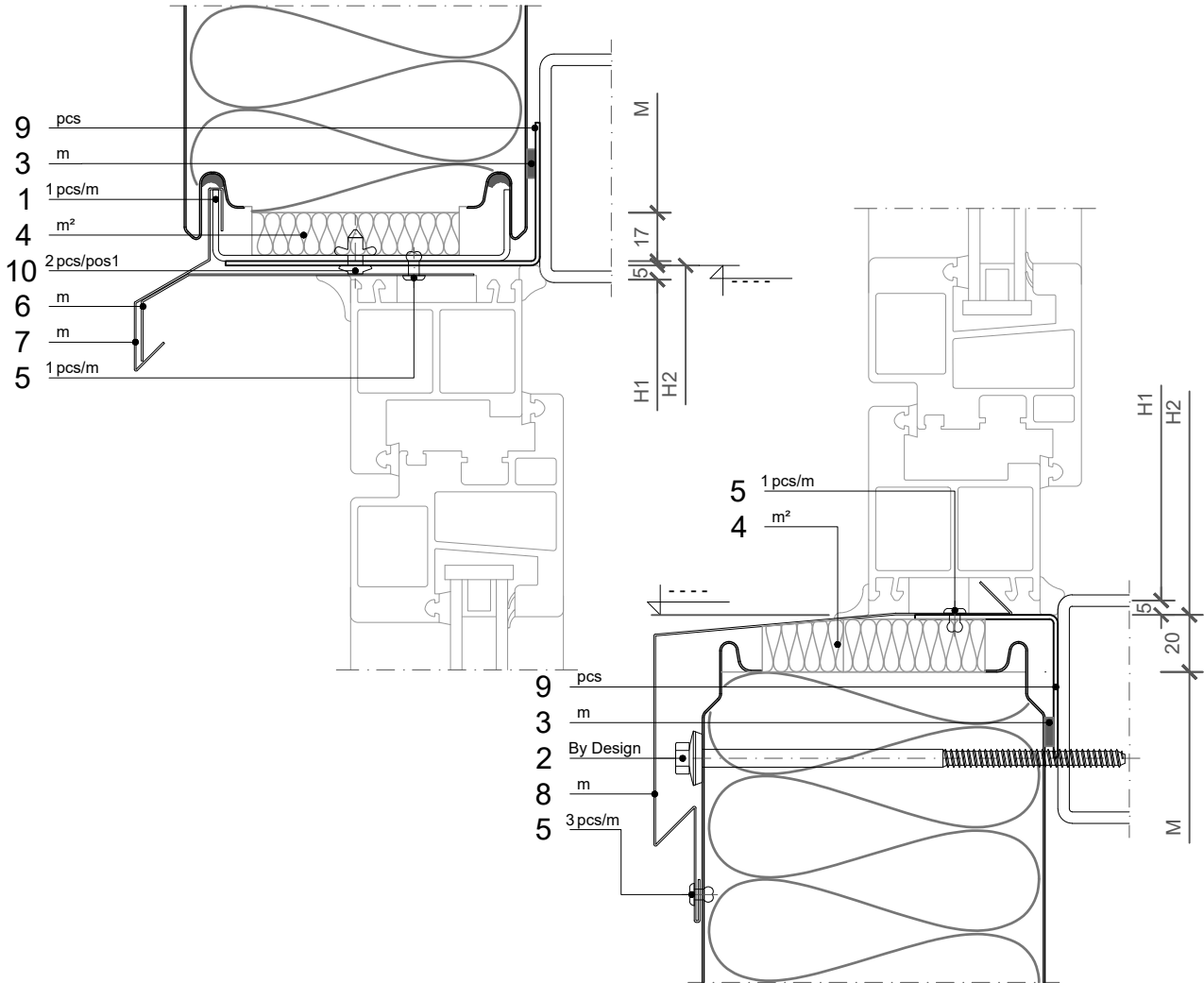
TRIMOTERM FTV

BUILDING APPLICATION

- External Facade
- External Soffit
- Internal Wall
- Internal Ceiling
- Roof
- Backing panel

VERTICAL CUT - HEAD

VERTICAL CUT - SILL



NOTES

- Window installation according project requirement - not Trimo d.o.o. scope
- For thicker panels mechanical treatment is needed for installation
- Detail is suitable also for door frame

POS	CODE	ELEMENT	AMOUNT	UNIT
1	N005	Panel support profile	dwg	
2	V130	Fixing screw	By Design	
3	30006985	Self adhesive sealing tape 5x10xL		m
4	30027144	Thermal insulation		m ²
5	K001	Rivet 4xL		pcs
6	O513	Drip flashing mask - head	dwg	
7	O103	Drip flashing - head	dwg	
8	O486	Drip flashing - sill	dwg	
9	N074	Support frame	dwg	
10	K011	Bulb tite rivet 5,2xL		pcs

SCALE: M 1:2.5

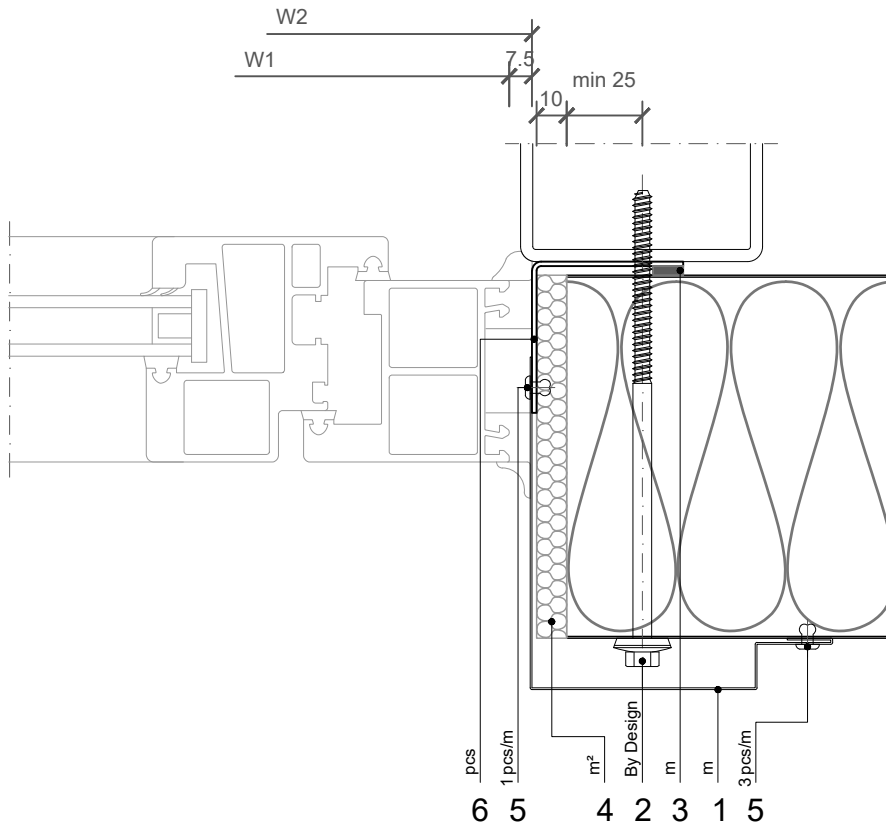
HORIZONTAL INSTALLATION

TRIMOTERM FTV

BUILDING APPLICATION

- External Facade
- Internal Wall
- Roof
- External Soffit
- Internal Ceiling
- Backing panel

HORIZONTAL CUT - JAMB



NOTES

- Apply mastic seal (acc. **TE-H-01.01 - ELEMENTS 01**)
- Window installation according project requirement - not Trimo d.o.o. scope
- Detail is suitable also for door frame

POS	CODE	ELEMENT	AMOUNT	UNIT
1	O504	Jamb flashing	dwg	
2	V130	Fixing screw	By Design	
3	30006985	Self adhesive sealing tape 5x10xL		m
4	30027144	Thermal insulation		m²
5	K001	Rivet 4xL		pcs
6	N074	Support frame	dwg	

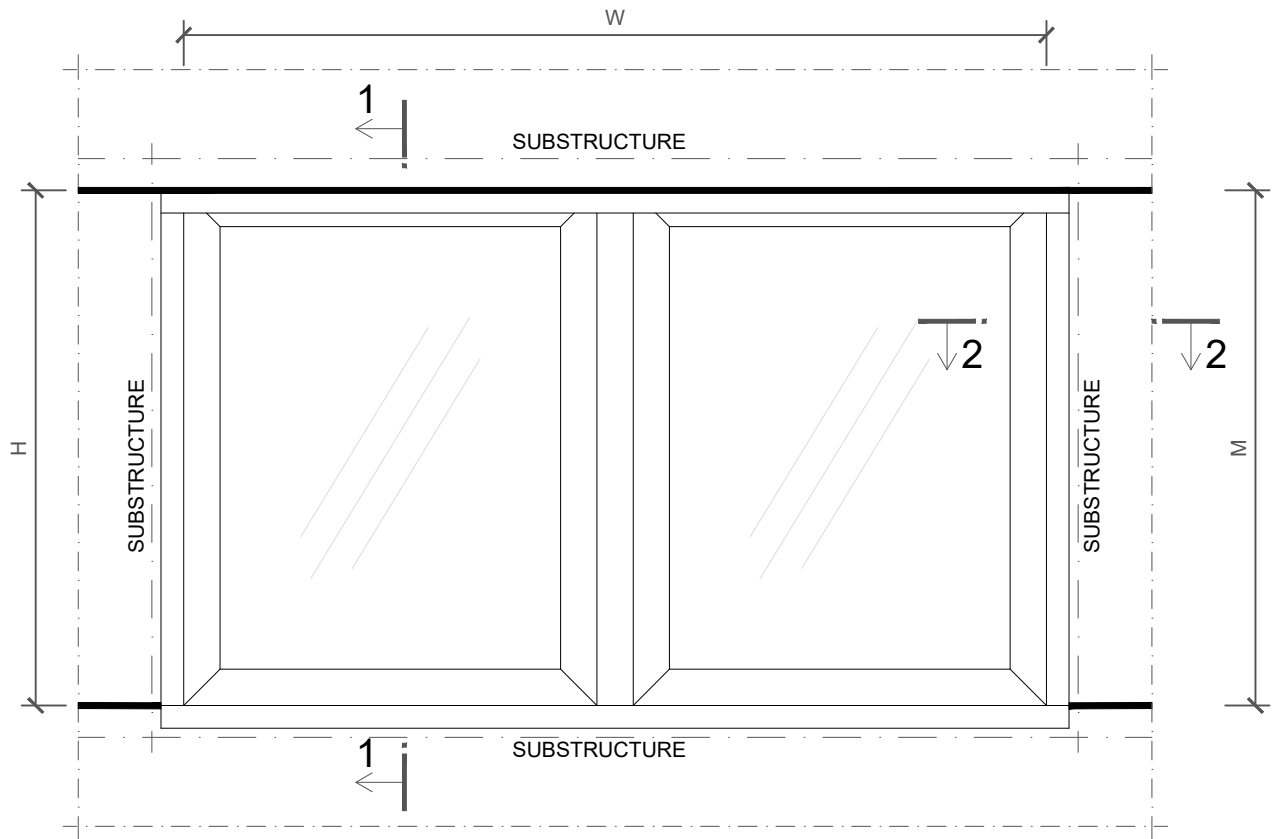
SCALE: M 1:2.5

WINDOW 02

Trimo Group holds full copyrights on the information and details provided on this media, therefore any unauthorized reproduction and distribution is strictly prohibited.

WINDOW DIMENSIONS - SCHEMATIC

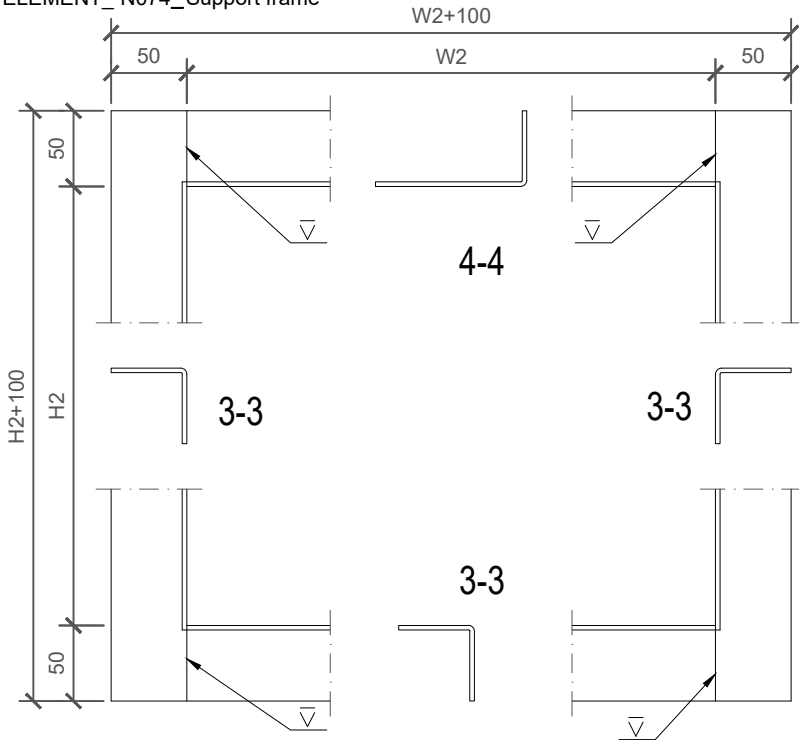
- H ... WINDOW VERTICAL DIMENSIONS
- W ... WINDOW HORIZONTAL DIMENSIONS
- H1, W1 ... WINDOW OPENING DIMENSIONS
- H2, W2 ... WINDOW CLEAR DIMENSIONS
- H2-H1= 10 mm; W2-W1 = 15 mm
- M ... PANEL MODULE
- 1-1 ... VERTICAL CUT
- 2-2 ... HORIZONTAL CUT



NOTE

- Performance of a detail without a substructure is allowed only when Trimo technical department has prepared a prior structural calculation.

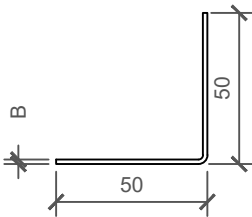
ELEMENT_N074_Support frame



REFERENCE	
H2	
W2	
PIECES	

ELEMENT_N068_Section 3-3

PANEL THICKNESS	50	60	80	100	120	133	150	172	200	240	250
CODE	N0073	N0073	N0073	N0073	N0073	N0074	N0074	N0074	N0074	N0074	N0074
B	1,5	1,5	1,5	1,5	1,5	2	2	2	2	2	2
STEEL SHEET WIDTH	97	97	97	97	97	96	96	96	96	96	96

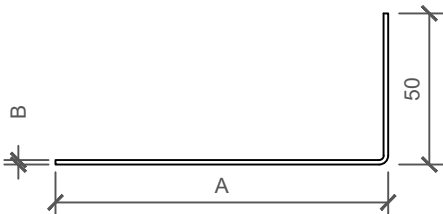


REFERENCE	
LENGTH(W)	
PIECES	

REFERENCE	
LENGTH(H)	
PIECES	

ELEMENT_N074_Section 3-3

PANEL THICKNESS	50	60	80	100	120	133	150	172	200	240	250
CODE	N0037	N0038	N0039	N0040	N0041	N0042	N0043	N0044	N0045	N0046	N0047
A	40	50	70	90	110	123	140	162	190	230	240
B	1,5	1,5	1,5	1,5	1,5	2	2	2	2	2	2
STEEL SHEET WIDTH	87	97	117	137	157	169	186	208	236	276	286



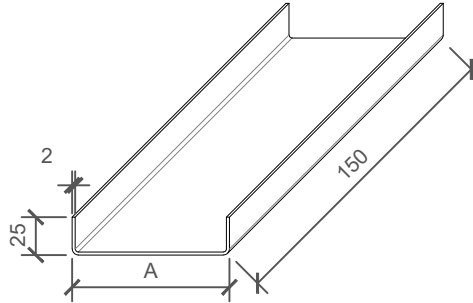
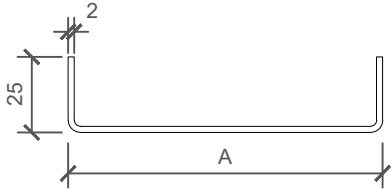
REFERENCE	
LENGTH(W)	
PIECES	

NOTES

material: Zinc - coated metal sheet (B mm)
 L max = 4000 mm
 The weld seam should be protected using a zinc - based paint.
 Dimensions should be verified with structural analyses

ELEMENT_ N005_Panel support profile

PANEL THICKNESS	50	60	80	100	120	133	150	172	200	240	250
CODE	N0001	N0002	N0003	N0004	N0005	N0006	N0007	N0008	N0009	N0010	N0011
A	34	44	64	84	104	117	134	156	184	224	234
STEEL SHEET WIDTH	76	86	106	126	146	159	176	198	226	266	276

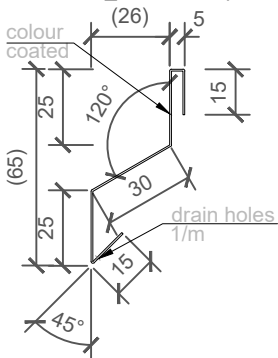


REFERENCE	
A	0
SHEET WIDTH	42
PIECES	

NOTES

material: Zinc - coated metal sheet
 thickness [mm]: 2
 sheet width [mm]: 42+A
 folds: 2
 L [mm] = 150

ELEMENT_ O103_Drip flashing



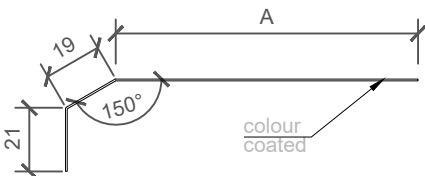
REFERENCE	
COLOUR	
LENGTH	
PIECES	

NOTES

material: Colored metal sheet
 thickness [mm]: 0,6
 sheet width [mm]: 115
 folds: 5
 Lmax [mm] = 6000

ELEMENT_ O513_Drip flashing mask - head

PANEL THICKNESS	50	60	80	100	120	133	150	172	200	240	250
CODE	O0019	O0020	O0021	O0022	O0023	O0024	O0025	O0026	O0027	O0028	O0029
A	/	50	60	80	100	110	130	150	180	220	230
STEEL SHEET WIDTH	/	90	100	120	140	150	170	190	220	260	270



REFERENCE	
COLOUR	
A	0
SHEET WIDTH	40
LENGTH	
PIECES	

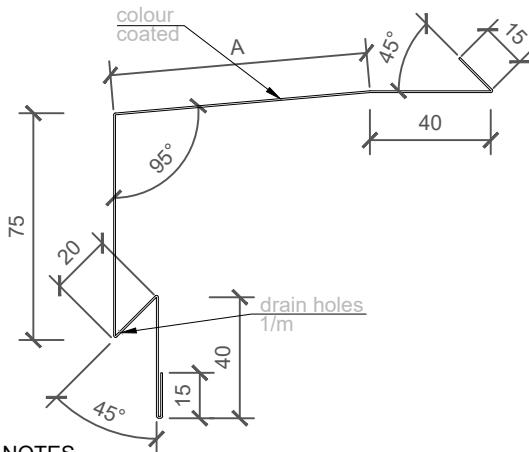
NOTES

material: Colored metal sheet
 thickness [mm]: 0,6
 sheet width [mm]: A+40
 folds: 2
 Lmax [mm] = 6000

Dimension A should be adjusted to the window frame - option 60 mm

ELEMENT_ O486_Drip flashing - sill

PANEL THICKNESS	50	60	80	100	120	133	150	172	200	240	250
CODE	O0031	O0032	O0033	O0034	O0035	O0036	O0037	O0038	O0039	O0040	O0041
A	/	25	45	65	85	98	115	137	165	205	215
STEEL SHEET WIDTH	/	235	255	275	295	308	325	347	375	415	425

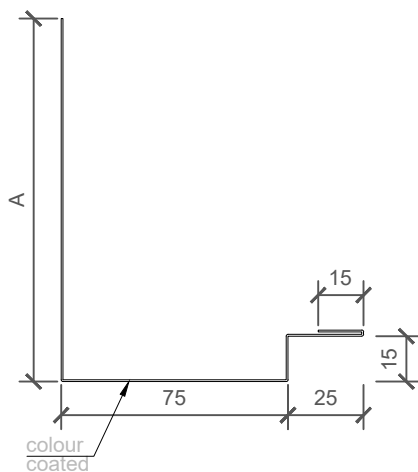


REFERENCE	
COLOUR	
A	0
SHEET WIDTH	205
LENGTH	
PIECES	

NOTES
 material: Colored metal sheet
 thickness [mm]: 0,6
 sheet width [mm]: A+205
 folds: 7
 Lmax [mm] = 6000
 Dimension A should be adjusted to the window frame - option 60 mm

ELEMENT_ O504_Jamb flashing

PANEL THICKNESS	50	60	80	100	120	133	150	172	200	240	250
CODE	O0043	O0044	O0045	O0046	O0047	O0048	O0049	O0050	O0051	O0052	O0053
A	/	60	80	100	120	130	150	170	200	240	250
STEEL SHEET WIDTH	/	190	210	230	250	260	280	300	330	370	380



REFERENCE	
COLOUR	
A	0
SHEET WIDTH	130
LENGTH	
PIECES	

NOTES
 material: Colored metal sheet
 thickness [mm]: 0,6
 sheet width [mm]: A+130
 folds: 5
 Lmax [mm] = 6000
 Dimension A should be adjusted to the window frame - option 60 mm

HORIZONTAL INSTALLATION

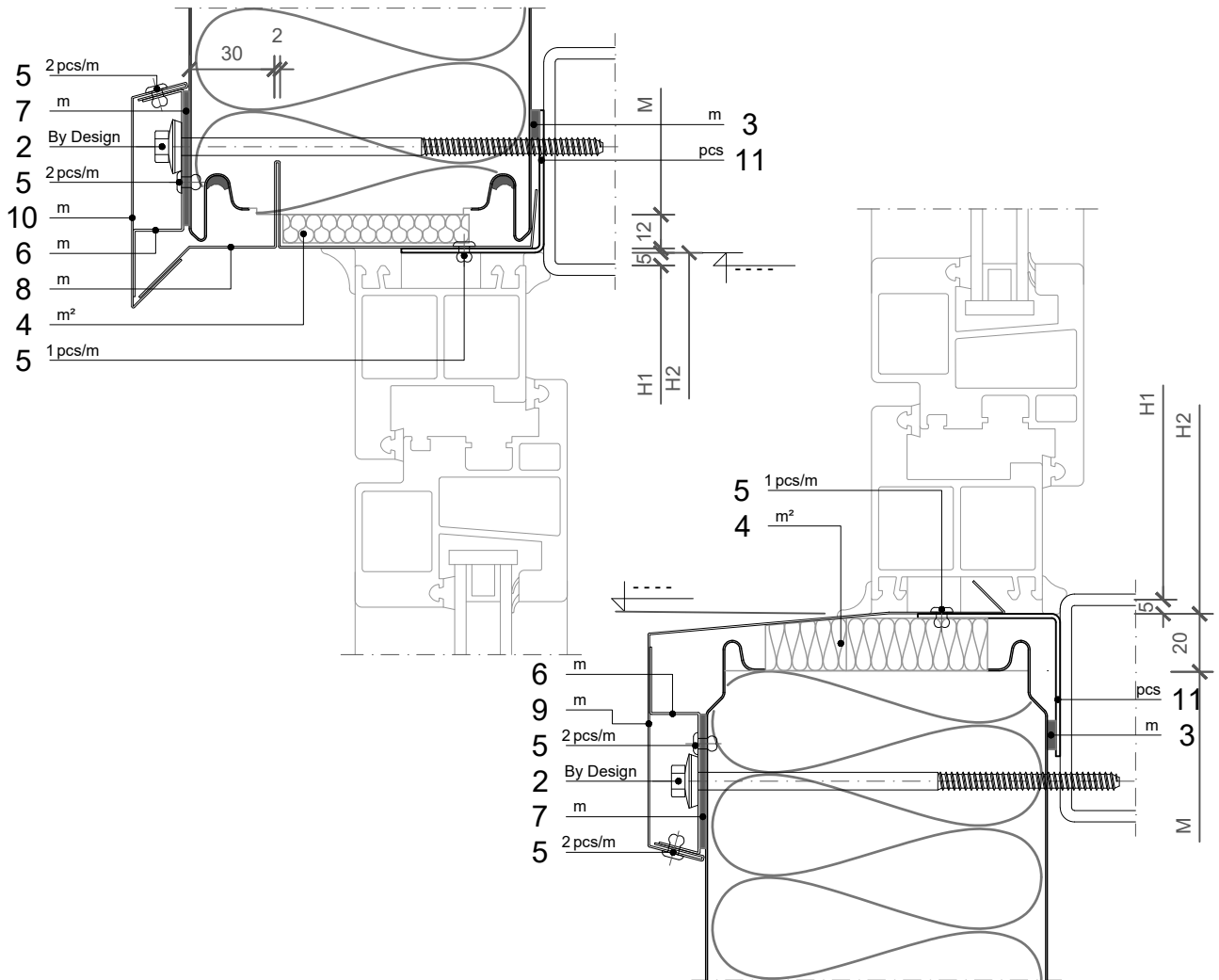
TRIMOTERM FTV

BUILDING APPLICATION

- External Facade
- Internal Wall
- Roof
- External Soffit
- Internal Ceiling
- Backing panel

VERTICAL CUT - HEAD

VERTICAL CUT - SILL



NOTES

- Window installation according project requirement - not Trimo d.o.o. scope
- For thicker panels mechanical treatment is needed for installation
- Detail is suitable also for door frame

POS	CODE	ELEMENT	AMOUNT	UNIT
2	V130	Fixing screw	By Design	
3	30006985	Self adhesive sealing tape 5x10xL		m
4	30027144	Thermal insulation		m ²
5	K001	Rivet 4xL		pcs
6	O078	Flashing support	dwg	
7	5012487	Self adhesive sealing tape EPDM 2x47x100 (under the fixing)		m
8	O540	Drip flashing - head	dwg	
9	O531	Drip flashing - sill	dwg	
10	O076	Drip flashing mask	dwg	
11	N068	Support frame	dwg	

SCALE: M 1:2.5

WINDOW 01

Trimo Group holds full copyrights on the information and details provided on this media, therefore any unauthorized reproduction and distribution is strictly prohibited.

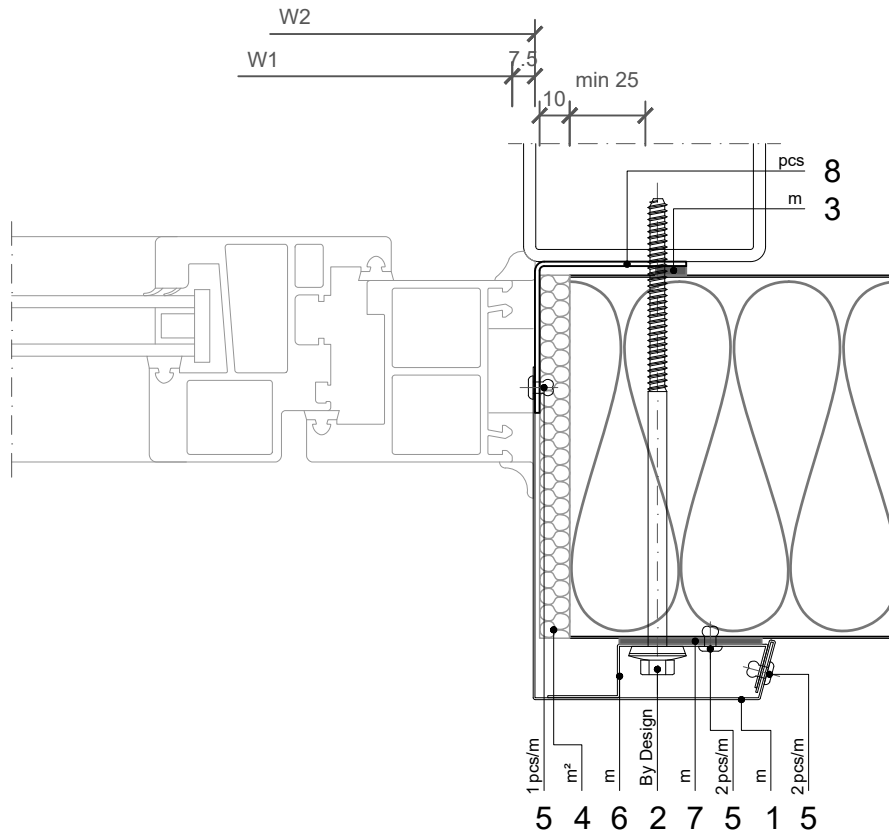
HORIZONTAL INSTALLATION

TRIMOTERM FTV

BUILDING APPLICATION

- External Facade
- Internal Wall
- Roof
- External Soffit
- Internal Ceiling
- Backing panel

HORIZONTAL CUT - JAMB



NOTES

- Apply mastic seal (acc. **TE-H-01.01 - ELEMENTS 01**)
- Window installation according project requirement - not Trimo d.o.o. scope
- Detail is suitable also for door frame

POS	CODE	ELEMENT	AMOUNT	UNIT
1	O522	Jamb flashing	dwg	
2	V130	Fixing screw	By Design	
3	30006985	Self adhesive sealing tape 5x10xL		m
4	30027144	Thermal insulation		m ²
5	K001	Rivet 4xL		pcs
6	O078	Flashing support	dwg	
7	5012487	Self adhesive sealing tape EPDM 2x47x100 (under the fixing)		m
8	N068	Support frame	dwg	

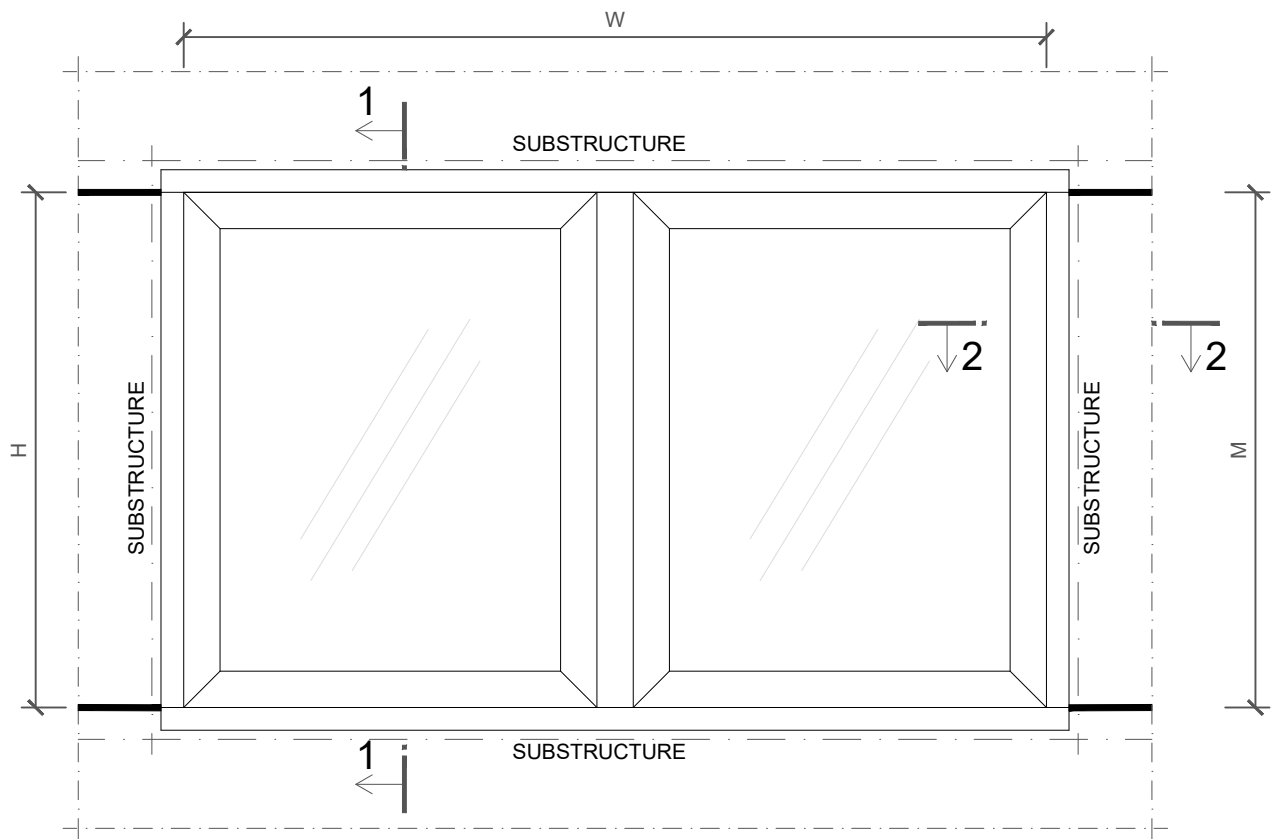
SCALE: M 1:2.5

WINDOW 02

Trimo Group holds full copyrights on the information and details provided on this media, therefore any unauthorized reproduction and distribution is strictly prohibited.

WINDOW DIMENSIONS - SCHEMATIC

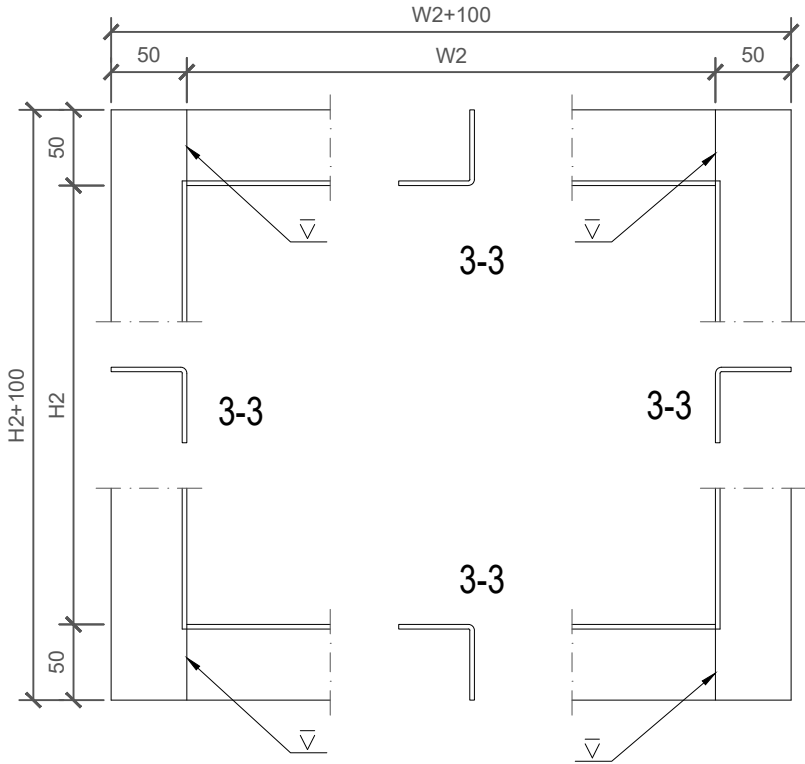
- H ... WINDOW VERTICAL DIMENSIONS
- W ... WINDOW HORIZONTAL DIMENSIONS
- H1, W1 ... WINDOW OPENING DIMENSIONS
- H2, W2 ... WINDOW CLEAR DIMENSIONS
- H2-H1= 10 mm; W2-W1 = 15 mm
- M ... PANEL MODULE
- 1-1 ... VERTICAL CUT
- 2-2 ... HORIZONTAL CUT



NOTE

- Performance of a detail without a substructure is allowed only when Trimo technical department has prepared a prior structural calculation.

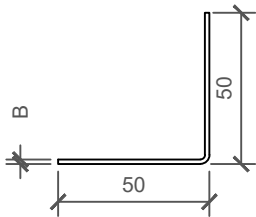
ELEMENT_ N068_ Support frame



REFERENCE	
H2	
W2	
PIECES	

ELEMENT_ N068_ Section 3-3

PANEL THICKNESS	50	60	80	100	120	133	150	172	200	240	250
CODE	N0073	N0073	N0073	N0073	N0073	N0074	N0074	N0074	N0074	N0074	N0074
B	1,5	1,5	1,5	1,5	1,5	2	2	2	2	2	2
STEEL SHEET WIDTH	97	97	97	97	97	96	96	96	96	96	96



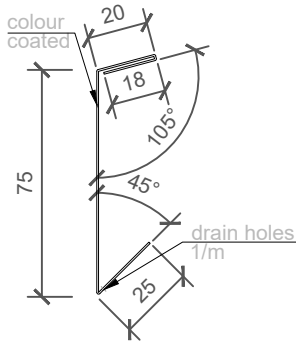
REFERENCE	
LENGTH(W)	
PIECES	

REFERENCE	
LENGTH(H)	
PIECES	

NOTES

material: Zinc - coated metal sheet (B mm)
 L max = 4000 mm
 The weld seam should be protected using a zinc - based paint.
 Dimensions should be verified with structural analyses

ELEMENT_ O076_Drip flashing mask



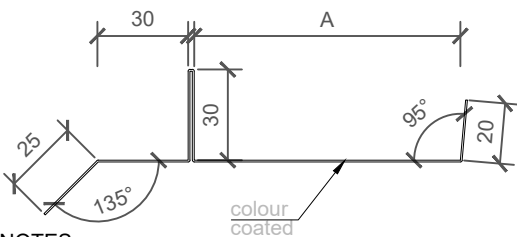
REFERENCE	
COLOUR	
LENGTH	
PIECES	

NOTES

material: Colored metal sheet
 thickness [mm]: 0,6
 sheet width [mm]: 138
 folds: 4
 Lmax [mm] = 6000

ELEMENT_ O540_Drip flashing - head

PANEL THICKNESS	50	60	80	100	120	133	150	172	200	240	250
CODE	O0055	O0056	O0057	O0058	O0059	O0060	O0061	O0062	O0063	O0064	O0065
A	/	28	48	68	88	101	118	140	168	208	218
STEEL SHEET WIDTH	/	163	183	203	223	236	253	275	303	343	353

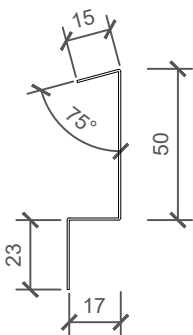


REFERENCE	
COLOUR	
A	0
SHEET WIDTH	135
LENGTH	
PIECES	

NOTES

material: Colored metal sheet
 thickness [mm]: 0,6
 sheet width [mm]: A+135
 folds: 6
 Lmax [mm] = 6000

ELEMENT_ O078_Flashing support



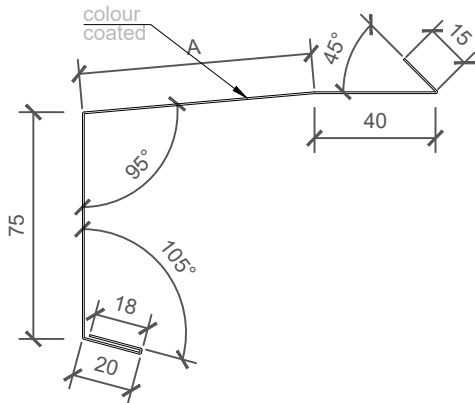
REFERENCE	
LENGTH	
PIECES	

NOTES

material: Galvanized metal sheet
 thickness [mm]: 0,7
 sheet width [mm]: 105
 folds: 3
 Lmax [mm] = 6000

ELEMENT_ O531_Drip flashing - sill

PANEL THICKNESS	50	60	80	100	120	133	150	172	200	240	250
CODE	O0067	O0068	O0069	O0070	O0071	O0072	O0073	O0074	O0075	O0076	O0077
A	/	17	37	57	77	90	107	129	157	197	207
STEEL SHEET WIDTH	/	165	185	205	225	238	255	277	305	345	355



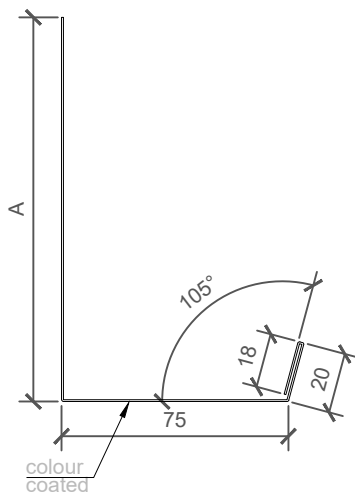
REFERENCE	
COLOUR	
A	0
SHEET WIDTH	168
LENGTH	
PIECES	

NOTES

material: Colored metal sheet
 thickness [mm]: 0,6
 sheet width [mm]: A+168
 folds: 6
 Lmax [mm] = 6000
 Dimension A should be adjusted to the window frame - option 60 mm

ELEMENT_ O522_Jamb flashing

PANEL THICKNESS	50	60	80	100	120	133	150	172	200	240	250
CODE	O0079	O0080	O0081	O0082	O0083	O0084	O0085	O0086	O0087	O0088	O0089
A	/	67	87	107	127	140	157	179	207	247	257
STEEL SHEET WIDTH	/	180	200	220	240	253	270	292	320	360	370



REFERENCE	
COLOUR	
A	0
SHEET WIDTH	113
LENGTH	
PIECES	

NOTES

material: Colored metal sheet
 thickness [mm]: 0,6
 sheet width [mm]: A+113
 folds: 4
 Lmax [mm] = 6000
 Dimension A should be adjusted to the window frame - option 60 mm

HORIZONTAL INSTALLATION

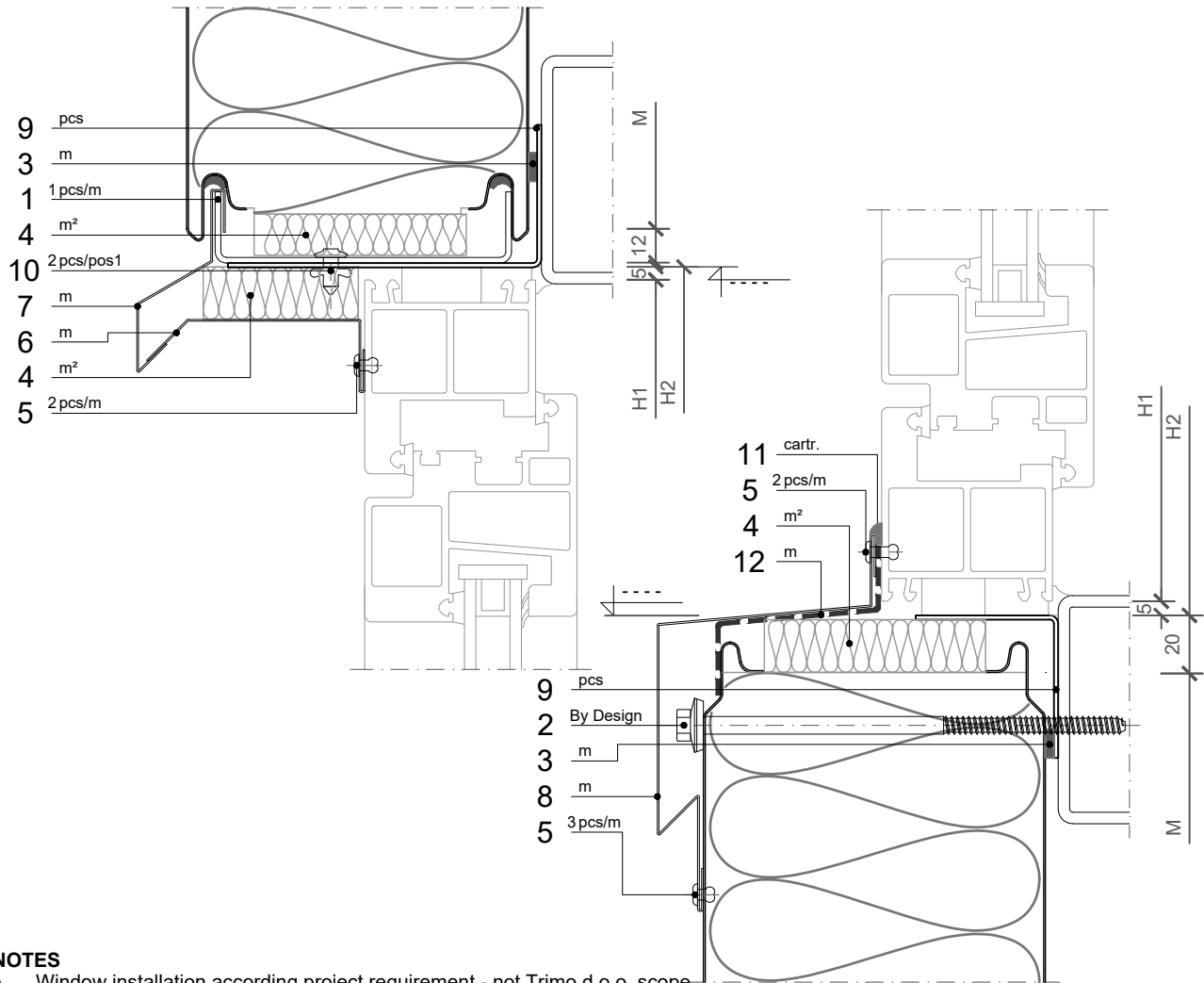
TRIMOTERM FTV

BUILDING APPLICATION

- External Facade
- Internal Wall
- Roof
- External Soffit
- Internal Ceiling
- Backing panel

VERTICAL CUT - HEAD

VERTICAL CUT - SILL



NOTES

- Window installation according project requirement - not Trimo d.o.o. scope
- For thicker panels mechanical treatment is needed for installation
- Detail is suitable also for door frame

POS	CODE	ELEMENT	AMOUNT	UNIT
1	N005	Panel support profile	dwg	
2	V130	Fixing screw	By Design	
3	30006985	Self adhesive sealing tape 5x10xL		m
4	30027144	Thermal insulation		m²
5	K001	Rivet 4xL		pcs
6	O094	Drip flashing mask - head	dwg	
7	O103	Drip flashing - head	dwg	
8	O031	Drip flashing - sill	dwg	
9	N074	Support frame	dwg	
10	K011	Bulb tite rivet 5,2xL		pcs
11	30025810	Mastic sealant		cartr.
12	30009208	Vapour control layer - outer; with EPDM glue		m

SCALE: M 1:2.5

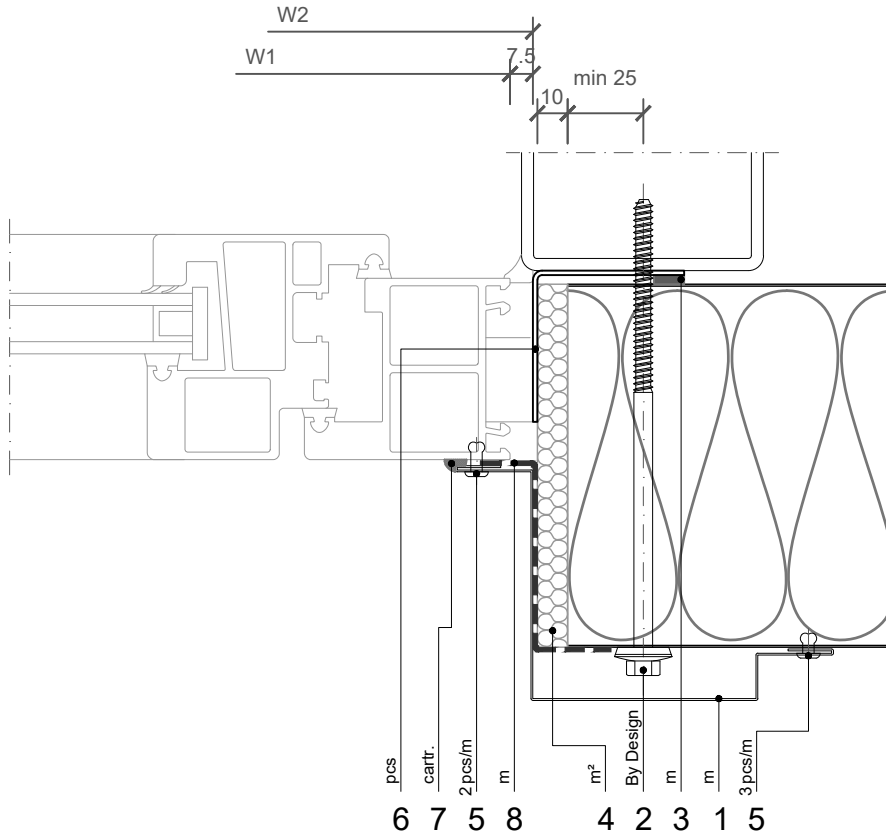
HORIZONTAL INSTALLATION

TRIMOTERM FTV

BUILDING APPLICATION

- External Facade
- Internal Wall
- Roof
- External Soffit
- Internal Ceiling
- Backing panel

HORIZONTAL CUT - JAMB



NOTES

- Apply mastic seal (acc. **TE-H-01.01 - ELEMENTS 01**)
- Window installation according project requirement - not Trimo d.o.o. scope
- Detail is suitable also for door frame

POS	CODE	ELEMENT	AMOUNT	UNIT
1	O041	Jumb flashing	dwg	
2	V130	Fixing screw	By Design	
3	30006985	Self adhesive sealing tape 5x10xL		m
4	30027144	Thermal insulation		m ²
5	K001	Rivet 4xL		pcs
6	N074	Support frame	dwg	
7	30025810	Mastic sealant		cartr.
8	30009208	Vapour control layer - outer; with EPDM glue		m

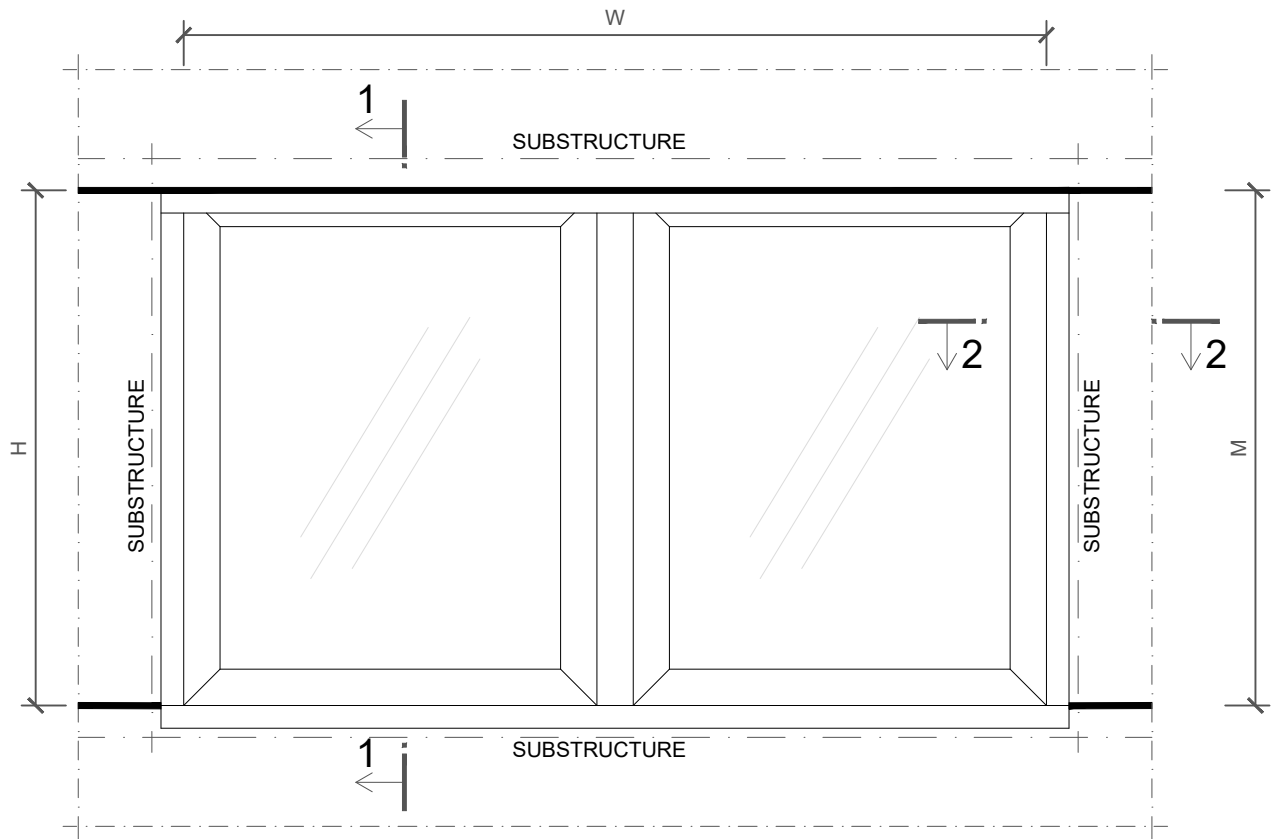
SCALE: M 1:2.5

WINDOW 02

Trimo Group holds full copyrights on the information and details provided on this media, therefore any unauthorized reproduction and distribution is strictly prohibited.

WINDOW DIMENSIONS - SCHEMATIC

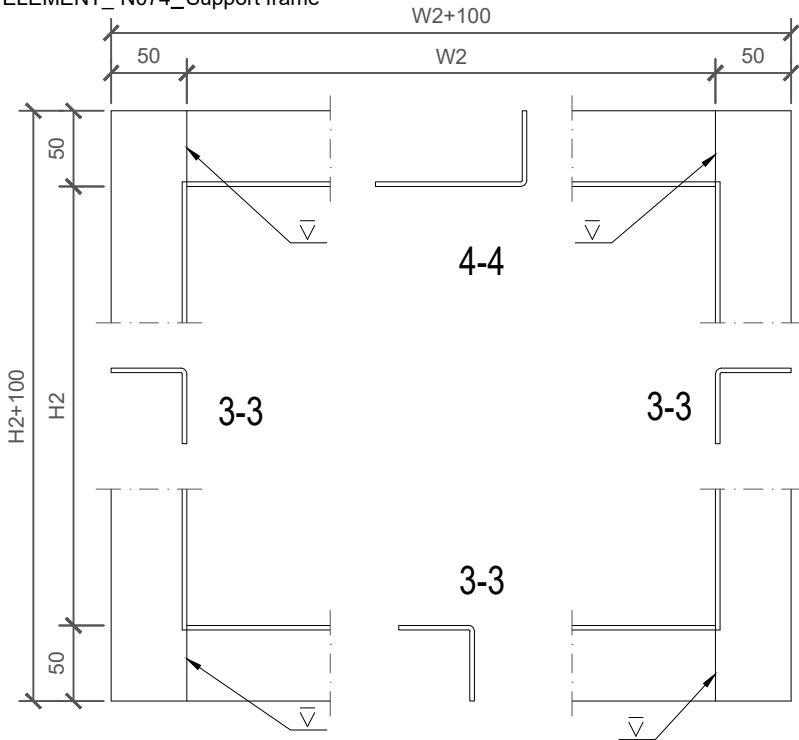
- H ... WINDOW VERTICAL DIMENSIONS
- W ... WINDOW HORIZONTAL DIMENSIONS
- H1, W1 ... WINDOW OPENING DIMENSIONS
- H2, W2 ... WINDOW CLEAR DIMENSIONS
- H2-H1= 10 mm; W2-W1 = 15 mm
- M ... PANEL MODULE
- 1-1 ... VERTICAL CUT
- 2-2 ... HORIZONTAL CUT



NOTE

- Performance of a detail without a substructure is allowed only when Trimo technical department has prepared a prior structural calculation.

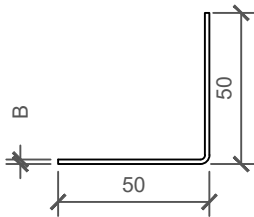
ELEMENT_N074_Support frame



REFERENCE	
H2	
W2	
PIECES	

ELEMENT_N068_Section 3-3

PANEL THICKNESS	50	60	80	100	120	133	150	172	200	240	250
CODE	N0073	N0073	N0073	N0073	N0073	N0074	N0074	N0074	N0074	N0074	N0074
B	1,5	1,5	1,5	1,5	1,5	2	2	2	2	2	2
STEEL SHEET WIDTH	97	97	97	97	97	96	96	96	96	96	96

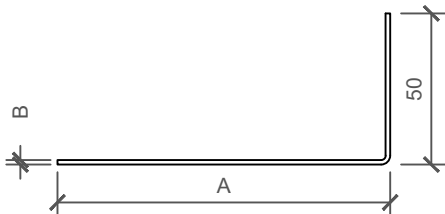


REFERENCE	
LENGTH(W)	
PIECES	

REFERENCE	
LENGTH(H)	
PIECES	

ELEMENT_N074_Section 3-3

PANEL THICKNESS	50	60	80	100	120	133	150	172	200	240	250
CODE	N0037	N0038	N0039	N0040	N0041	N0042	N0043	N0044	N0045	N0046	N0047
A	40	50	70	90	110	123	140	162	190	230	240
B	1,5	1,5	1,5	1,5	1,5	2	2	2	2	2	2
STEEL SHEET WIDTH	87	97	117	137	157	169	186	208	236	276	286



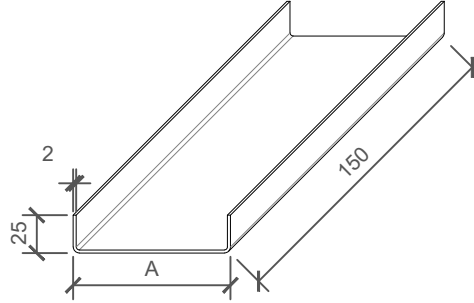
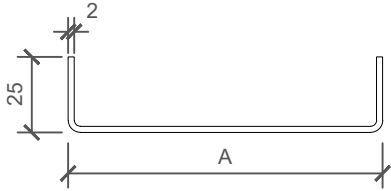
REFERENCE	
LENGTH(W)	
PIECES	

NOTES

material: Zinc - coated metal sheet (B mm)
 L max = 4000 mm
 The weld seam should be protected using a zinc - based paint.
 Dimensions should be verified with structural analyses

ELEMENT_ N005_Panel support profile

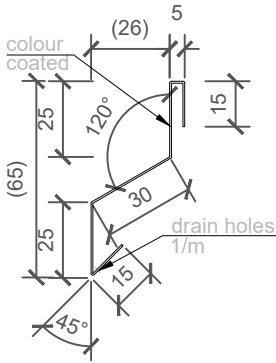
PANEL THICKNESS	50	60	80	100	120	133	150	172	200	240	250
CODE	N0001	N0002	N0003	N0004	N0005	N0006	N0007	N0008	N0009	N0010	N0011
A	34	44	64	84	104	117	134	156	184	224	234
STEEL SHEET WIDTH	76	86	106	126	146	159	176	198	226	266	276



REFERENCE	
A	0
SHEET WIDTH	42
PIECES	

NOTES
 material: Zinc - coated metal sheet
 thickness [mm]: 2
 sheet width [mm]: 42+A
 folds: 2
 L [mm] = 150

ELEMENT_ O103_Drip flashing



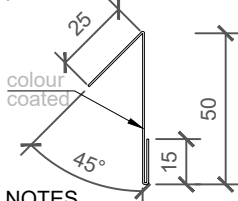
REFERENCE	
COLOUR	
LENGTH	
PIECES	

NOTES
 material: Colored metal sheet
 thickness [mm]: 0,6
 sheet width [mm]: 115
 folds: 5
 Lmax [mm] = 6000

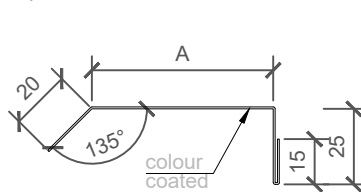
ELEMENT_ O094_Drip flashing mask - head

PANEL THICKNESS	50	60	80	100	120	133	150	172	200	240	250
CODE	/	O091	O0091	O0092	O0093	O0094	O0095	O0096	O0097	O0098	O0099
A	/	/	20	40	60	73	90	112	140	180	190
STEEL SHEET WIDTH	/	90	80	100	120	133	150	172	200	240	250

ELEMENT_O091
 panel thickness 60 mm



ELEMENT_O0091-O099
 panel thickness > 60 mm

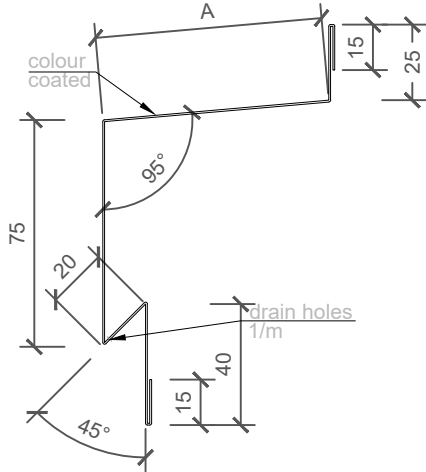


REFERENCE	
COLOUR	
A	0
SHEET WIDTH	60
LENGTH	
PIECES	

NOTES
 material: Colored metal sheet
 thickness [mm]: 0,6
 sheet width [mm]: A+60
 folds: 4
 Lmax [mm] = 6000
 Dimension A should be adjusted to the window frame - option 60 mm
 For dimension A is recommended to be taken on site.

ELEMENT_ O031_Drip flashing - sill

PANEL THICKNESS	50	60	80	100	120	133	150	172	200	240	250
CODE	/	O0101	O0102	O0103	O0104	O0105	O0106	O0107	O0108	O0109	O0110
A	/	15	35	55	75	88	105	127	155	195	205
STEEL SHEET WIDTH	/	205	225	245	265	278	295	317	345	385	395

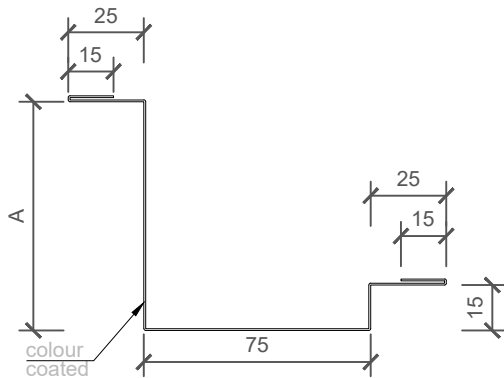


REFERENCE	
COLOUR	
A	0
SHEET WIDTH	190
LENGTH	
PIECES	

NOTES
 material: Colored metal sheet
 thickness [mm]: 0,6
 sheet width [mm]: A+190
 folds: 7
 Lmax [mm] = 6000
 Dimension A should be adjusted to the window frame - option 60 mm
 For dimension A is recommended to be taken on site.

ELEMENT_ O041_Jumb flashing

PANEL THICKNESS	50	60	80	100	120	133	150	172	200	240	250
CODE	/	O0112	O0113	O0114	O0115	O0116	O0117	O0118	O0119	O0120	O0121
A	/	15	35	55	75	88	105	127	155	195	205
STEEL SHEET WIDTH	/	185	205	225	245	258	275	297	325	365	375



REFERENCE	
COLOUR	
A	0
SHEET WIDTH	170
LENGTH	
PIECES	

NOTES
 material: Colored metal sheet
 thickness [mm]: 0,6
 sheet width [mm]: A+170
 folds: 8
 Lmax [mm] = 6000
 Dimension A should be adjusted to the window frame - option 60 mm
 For dimension A is recommended to be taken on site.

HORIZONTAL INSTALLATION

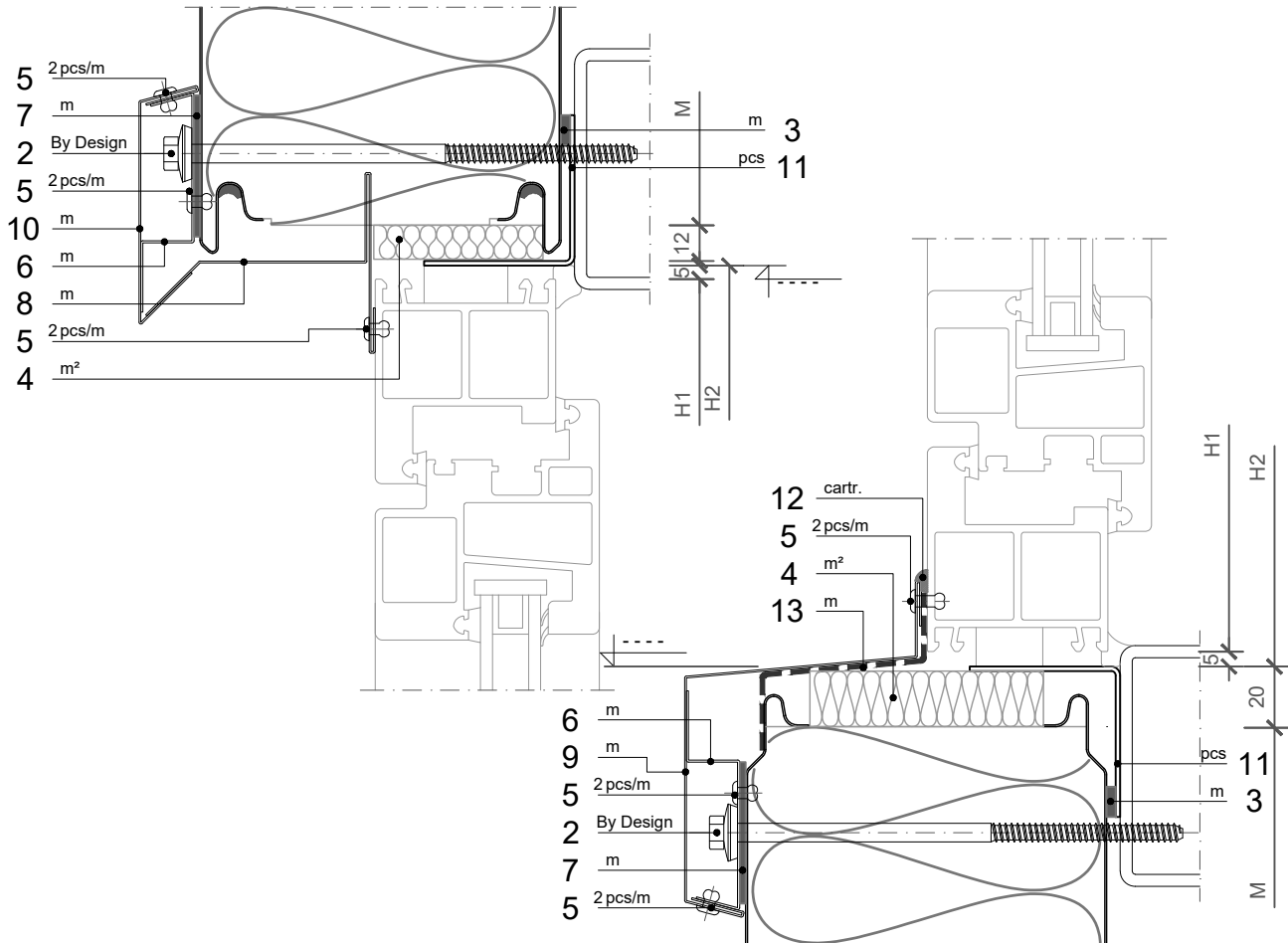
TRIMOTERM FTV

BUILDING APPLICATION

- External Facade
- Internal Wall
- Roof
- External Soffit
- Internal Ceiling
- Backing panel

VERTICAL CUT - HEAD

VERTICAL CUT - SILL



NOTES

- Window installation according project requirement - not Trimo d.o.o. scope
- For thicker panels mechanical treatment is needed for installation
- Detail is suitable also for door frame

POS	CODE	ELEMENT	AMOUNT	UNIT
2	V130	Fixing screw	By Design	
3	30006985	Self adhesive sealing tape 5x10xL		m
4	30027144	Thermal insulation		m ²
5	K001	Rivet 4xL		pcs
6	O078	Flashing support		
7	5012487	Self adhesive sealing tape EPDM 2x47x100 (under the fixing)		m
8	O084	Drip flashing - head	dwg	
9	O069	Drip flashing - sill	dwg	
10	O076	Drip flashing mask	dwg	
11	N068	Support frame	dwg	
12	30025810	Mastic sealant		cartr.
13	30009208	Vapour control layer - outer; with EPDM glue		m

SCALE: M 1:2.5

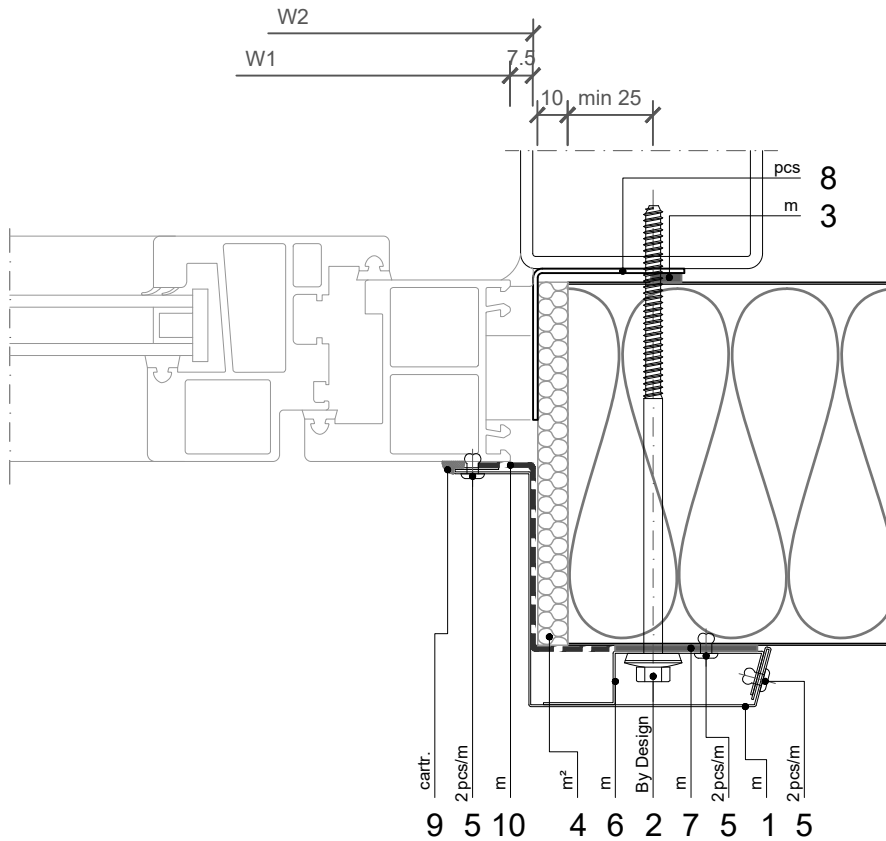
HORIZONTAL INSTALLATION

TRIMOTERM FTV

BUILDING APPLICATION

- External Facade
- Internal Wall
- Roof
- External Soffit
- Internal Ceiling
- Backing panel

HORIZONTAL CUT - JAMB



NOTES

- Apply mastic seal (acc. TE-H-01.01 - ELEMENTS 01)
- Window installation according project requirement - not Trimo d.o.o. scope
- Detail is suitable also for door frame

POS	CODE	ELEMENT	AMOUNT	UNIT
1	O787	Jamb flashing	dwg	
2	V130	Fixing screw	By Design	
3	30006985	Self adhesive sealing tape 5x10xL		m
4	30027144	Thermal insulation		m ²
5	K001	Rivet 4xL		pcs
6	O078	Flashing support	dwg	
7	5012487	Self adhesive sealing tape EPDM 2x47x100 (under the fixing)		m
8	N068	Support frame	dwg	
9	30025810	Mastic sealant		cartr.
10	30009208	Vapour control layer - outer; with EPDM glue		m

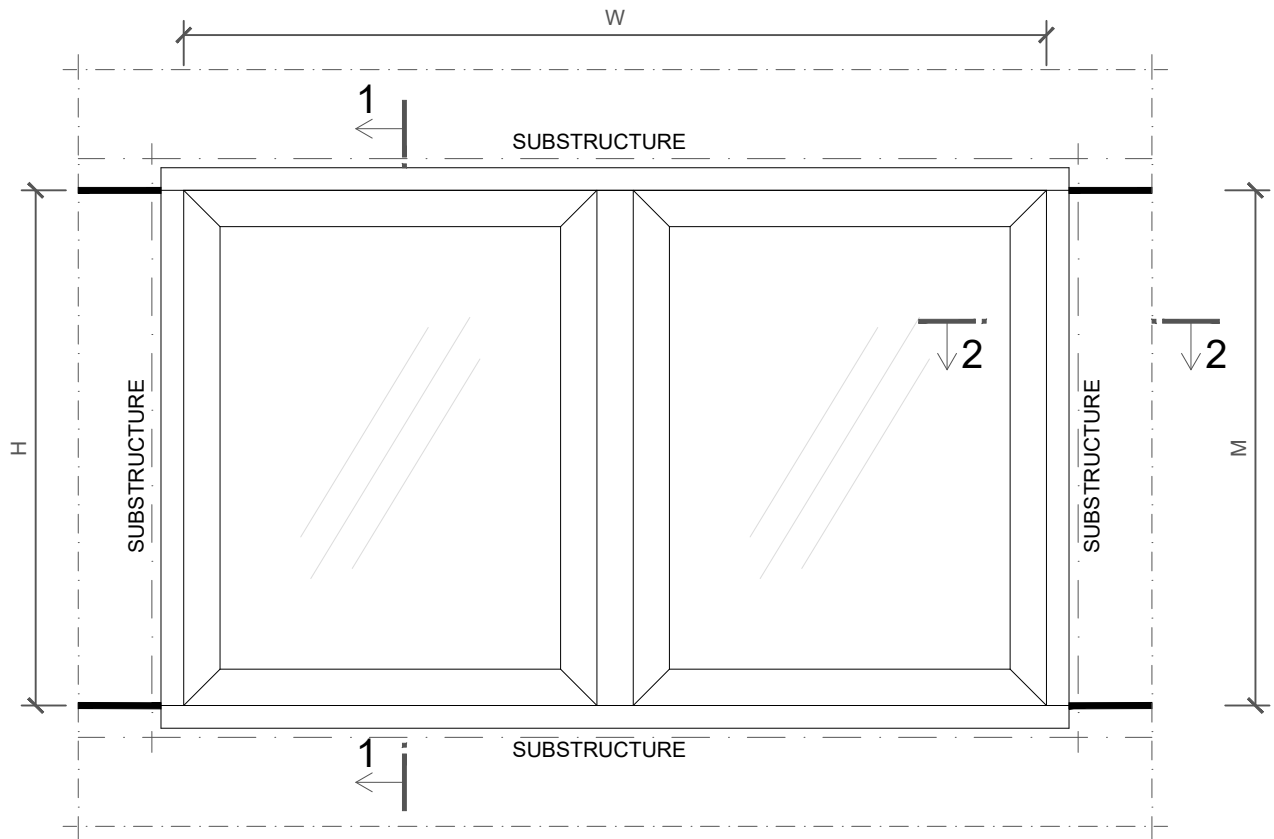
SCALE: M 1:2.5

WINDOW 02

Trimo Group holds full copyrights on the information and details provided on this media, therefore any unauthorized reproduction and distribution is strictly prohibited.

WINDOW DIMENSIONS - SCHEMATIC

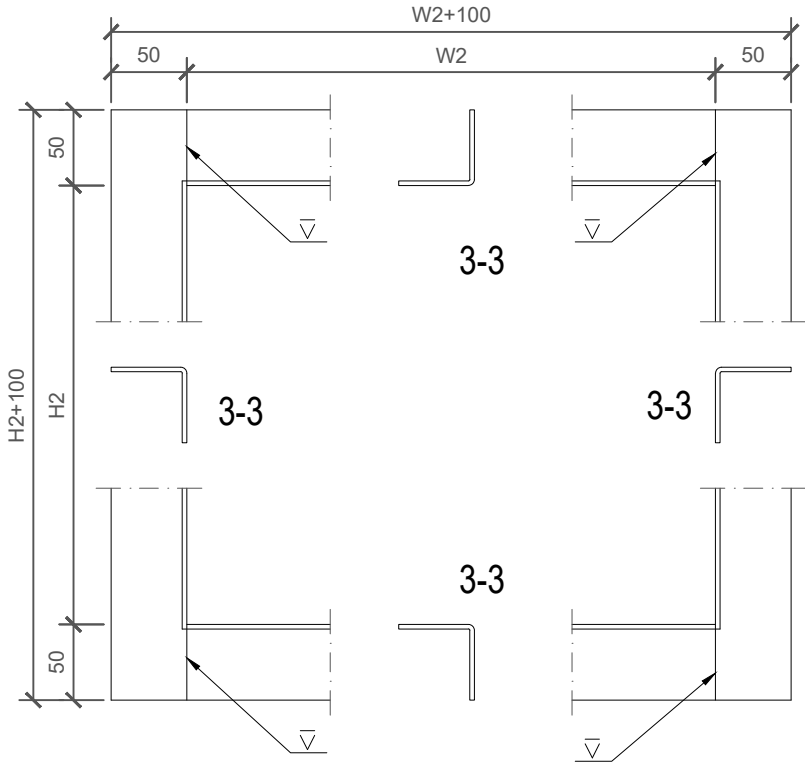
- H ... WINDOW VERTICAL DIMENSIONS
- W ... WINDOW HORIZONTAL DIMENSIONS
- H1, W1 ... WINDOW OPENING DIMENSIONS
- H2, W2 ... WINDOW CLEAR DIMENSIONS
- H2-H1= 10 mm; W2-W1 = 15 mm
- M ... PANEL MODULE
- 1-1 ... VERTICAL CUT
- 2-2 ... HORIZONTAL CUT



NOTE

- Performance of a detail without a substructure is allowed only when Trimo technical department has prepared a prior structural calculation.

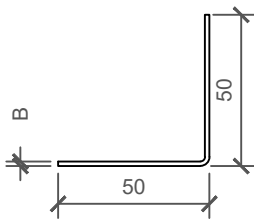
ELEMENT_ N068_ Support frame



REFERENCE	
H2	
W2	
PIECES	

ELEMENT_ N068_ Section 3-3

PANEL THICKNESS	50	60	80	100	120	133	150	172	200	240	250
CODE	N0073	N0073	N0073	N0073	N0073	N0074	N0074	N0074	N0074	N0074	N0074
B	1,5	1,5	1,5	1,5	1,5	2	2	2	2	2	2
STEEL SHEET WIDTH	97	97	97	97	97	96	96	96	96	96	96



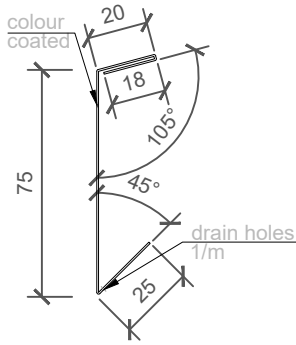
REFERENCE	
LENGTH(W)	
PIECES	

REFERENCE	
LENGTH(H)	
PIECES	

NOTES

material: Zinc - coated metal sheet (B mm)
 L max = 4000 mm
 The weld seam should be protected using a zinc - based paint.
 Dimensions should be verified with structural analyses

ELEMENT_ O076_Drip flashing mask



REFERENCE	
COLOUR	
LENGTH	
PIECES	

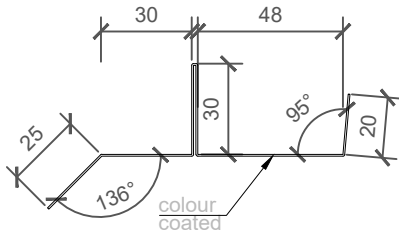
NOTES

material: Colored metal sheet
 thickness [mm]: 0,6
 sheet width [mm]: 138
 folds: 4
 Lmax [mm] = 6000

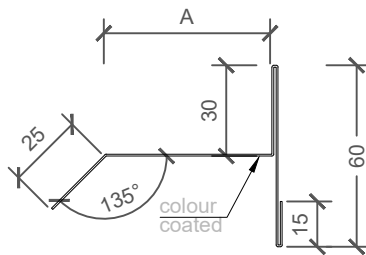
ELEMENT_ O084_Drip flashing - head

PANEL THICKNESS	50	60	80	100	120	133	150	172	200	240	250
CODE	/	/	O0057	O0123	O0124	O0125	O0126	O0127	O0128	O0129	O0130
A	/	/	/	35	55	68	85	107	135	175	185
STEEL SHEET WIDTH	/	/	183	165	185	198	215	237	265	305	315

ELEMENT_ O0057
 Panel thickness 80 mm



ELEMENT_ O0124-O0130
 Panel thickness > 80 mm

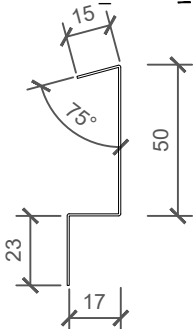


REFERENCE	
COLOUR	
A	0
SHEET WIDTH	130
LENGTH	
PIECES	

NOTES

material: Colored metal sheet
 thickness [mm]: 0,6
 sheet width [mm]: A+130 (183 - d=80)
 folds: 6
 Lmax [mm] = 6000
 Butyl tape on the aluminium foil should be used for panels 50, 60 mm thick instead of drip flashing
 Dimension A should be adjusted to the window frame - option 60 mm
 For dimension A is recommended to be taken on site.

ELEMENT_ O078_Flashing support



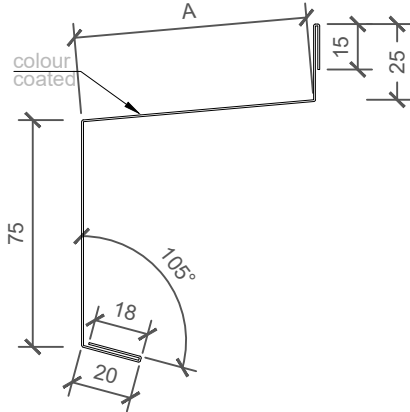
REFERENCE	
LENGTH	
PIECES	

NOTES

material: Galvanized metal sheet
 thickness [mm]: 0,7
 sheet width [mm]: 105
 folds: 3
 Lmax [mm] = 6000

ELEMENT_ O069_Drip flashing - sill

PANEL THICKNESS	50	60	80	100	120	133	150	172	200	240	250
CODE	/	O0132	O0133	O0134	O0135	O0136	O0137	O0138	O0139	O0140	O0141
A	/	17	37	57	77	90	107	129	157	197	207
STEEL SHEET WIDTH	/	170	190	210	230	243	260	282	310	350	360



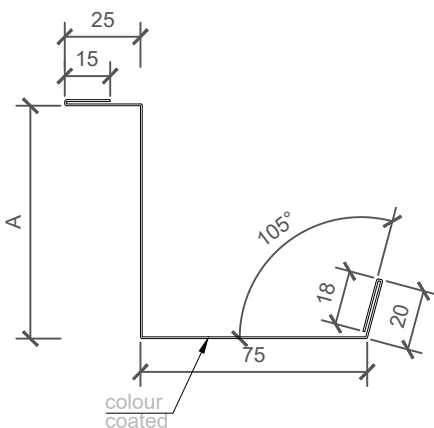
REFERENCE	
COLOUR	
A	0
SHEET WIDTH	153
LENGTH	
PIECES	

NOTES

material: Colored metal sheet
 thickness [mm]: 0,6
 sheet width [mm]: A+153
 folds: 7
 Lmax [mm] = 6000
 Dimension A should be adjusted to the window frame - option 60 mm
 For dimension A is recommended to be taken on site.

ELEMENT_ O787_Jamb flashing

PANEL THICKNESS	50	60	80	100	120	133	150	172	200	240	250
CODE	/	O0143	O0144	O0145	O0146	O0147	O0148	O0149	O0150	O0151	O0152
A	/	17	37	57	77	90	107	129	157	197	207
STEEL SHEET WIDTH	/	170	190	210	230	243	260	282	310	350	360



REFERENCE	
COLOUR	
A	0
SHEET WIDTH	153
LENGTH	
PIECES	

NOTES

material: Colored metal sheet
 thickness [mm]: 0,6
 sheet width [mm]: A+153
 folds: 7
 Lmax [mm] = 6000
 Dimension A should be adjusted to the window frame - option 60 mm
 For dimension A is recommended to be taken on site.

HORIZONTAL INSTALLATION

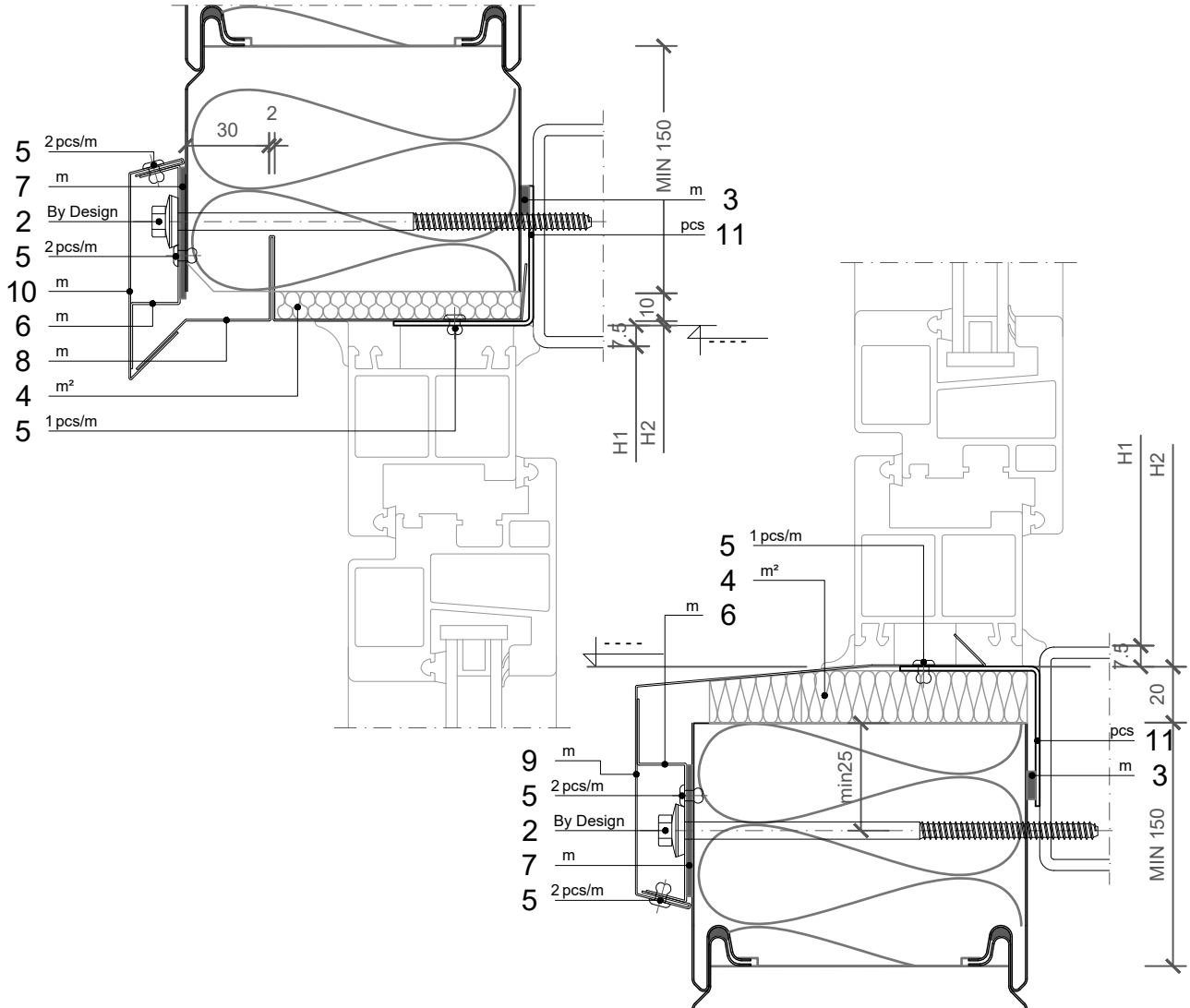
TRIMOTERM FTV

BUILDING APPLICATION

- External Facade
- Internal Wall
- Roof
- External Soffit
- Internal Ceiling
- Backing panel

VERTICAL CUT - HEAD

VERTICAL CUT - SILL



NOTES

- Window installation according project requirement - not Trimo d.o.o. scope
- For thicker panels mechanical treatment is needed for installation
- Detail is suitable also for door frame

POS	CODE	ELEMENT	AMOUNT	UNIT
2	V130	Fixing screw	By Design	
3	30006985	Self adhesive sealing tape 5x10xL		m
4	30027144	Thermal insulation		m ²
5	K001	Rivet 4xL		pcs
6	O078	Flashing support	dwg	
7	5012487	Self adhesive sealing tape EPDM 2x47x100 (under the fixing)		m
8	O540	Drip flashing - head	dwg	
9	O531	Drip flashing - sill	dwg	
10	O076	Drip flashing mask	dwg	
11	N068	Support frame	dwg	

SCALE: M 1:2.5

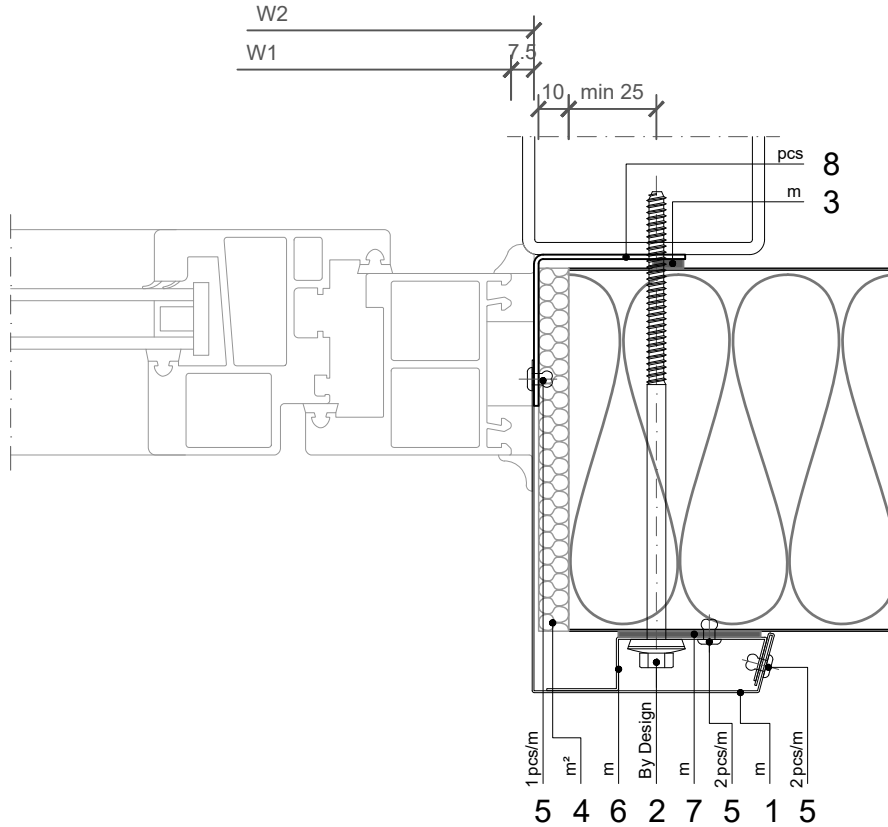
HORIZONTAL INSTALLATION

TRIMOTERM FTV

BUILDING APPLICATION

- External Facade
- Internal Wall
- Roof
- External Soffit
- Internal Ceiling
- Backing panel

HORIZONTAL CUT - JAMB



NOTES

- Apply mastic seal (acc. **TE-H-01.01 - ELEMENTS 01**)
- Window installation according project requirement - not Trimo d.o.o. scope
- Detail is suitable also for door frame

POS	CODE	ELEMENT	AMOUNT	UNIT
1	O522	Jamb flashing	dwg	
2	V130	Fixing screw	By Design	
3	30006985	Self adhesive sealing tape 5x10xL		m
4	30027144	Thermal insulation		m ²
5	K001	Rivet 4xL		pcs
6	O078	Flashing support	dwg	
7	5012487	Self adhesive sealing tape EPDM 2x47x100 (under the fixing)		m
8	N068	Support frame	dwg	

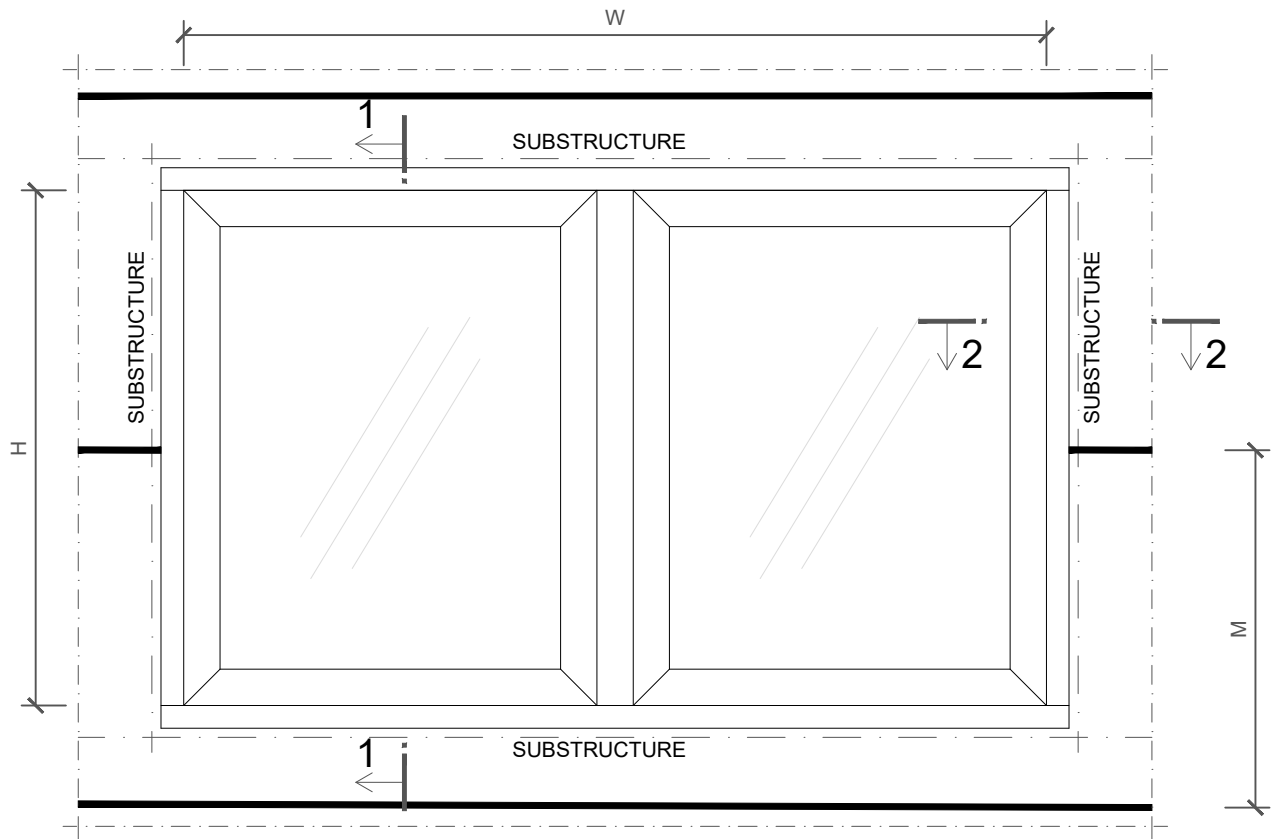
SCALE: M 1:2.5

WINDOW 02

Trimo Group holds full copyrights on the information and details provided on this media, therefore any unauthorized reproduction and distribution is strictly prohibited.

WINDOW DIMENSIONS - SCHEMATIC

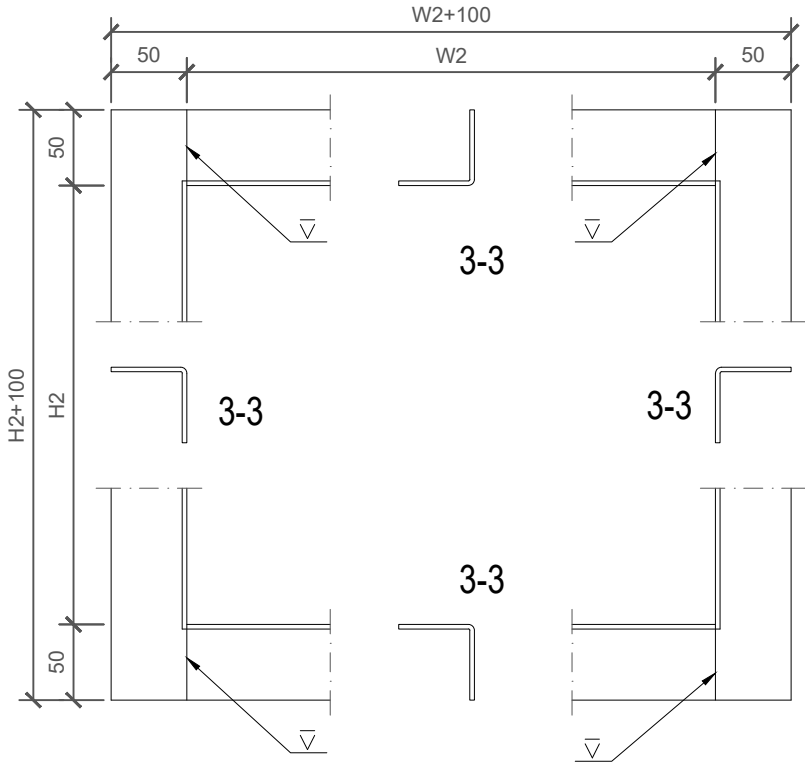
- H ... WINDOW VERTICAL DIMENSIONS
- W ... WINDOW HORIZONTAL DIMENSIONS
- H1, W1 ... WINDOW OPENING DIMENSIONS
- H2, W2 ... WINDOW CLEAR DIMENSIONS
- H2-H1= 15 mm; W2-W1 = 15 mm
- M ... PANEL MODULE
- 1-1 ... VERTICAL CUT
- 2-2 ... HORIZONTAL CUT



NOTE

- Performance of a detail without a substructure is allowed only when Trimo technical department has prepared a prior structural calculation.

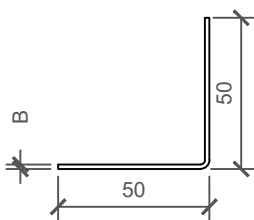
ELEMENT_ N068_ Support frame



REFERENCE	
H2	
W2	
PIECES	

ELEMENT_ N068_ Section 3-3

PANEL THICKNESS	50	60	80	100	120	133	150	172	200	240	250
CODE	N0073	N0073	N0073	N0073	N0073	N0074	N0074	N0074	N0074	N0074	N0074
B	1,5	1,5	1,5	1,5	1,5	2	2	2	2	2	2
STEEL SHEET WIDTH	97	97	97	97	97	96	96	96	96	96	96



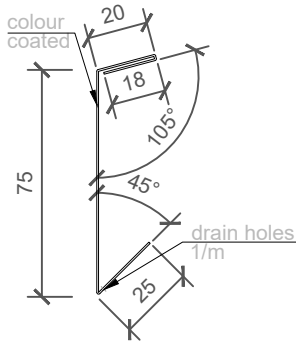
REFERENCE	
LENGTH(W)	
PIECES	

REFERENCE	
LENGTH(H)	
PIECES	

NOTES

material: Zinc - coated metal sheet (B mm)
 L max = 4000 mm
 The weld seam should be protected using a zinc - based paint.
 Dimensions should be verified with structural analyses

ELEMENT_ O076_Drip flashing mask



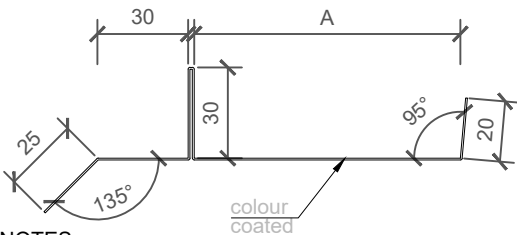
REFERENCE	
COLOUR	
LENGTH	
PIECES	

NOTES

material: Colored metal sheet
 thickness [mm]: 0,6
 sheet width [mm]: 138
 folds: 4
 Lmax [mm] = 6000

ELEMENT_ O540_Drip flashing - head

PANEL THICKNESS	50	60	80	100	120	133	150	172	200	240	250
CODE	O0055	O0056	O0057	O0058	O0059	O0060	O0061	O0062	O0063	O0064	O0065
A	/	28	48	68	88	101	118	140	168	208	218
STEEL SHEET WIDTH	/	163	183	203	223	236	253	275	303	343	353

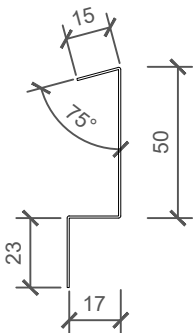


REFERENCE	
COLOUR	
A	0
SHEET WIDTH	135
LENGTH	
PIECES	

NOTES

material: Colored metal sheet
 thickness [mm]: 0,6
 sheet width [mm]: A+135
 folds: 6
 Lmax [mm] = 6000

ELEMENT_ O078_Flashing support



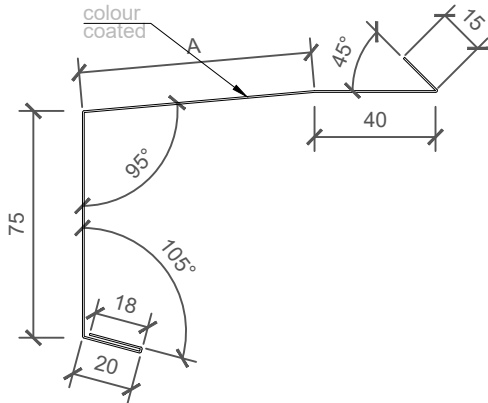
REFERENCE	
LENGTH	
PIECES	

NOTES

material: Galvanized metal sheet
 thickness [mm]: 0,7
 sheet width [mm]: 105
 folds: 3
 Lmax [mm] = 6000

ELEMENT_ O531_Drip flashing - sill

PANEL THICKNESS	50	60	80	100	120	133	150	172	200	240	250
CODE	O0067	O0068	O0069	O0070	O0071	O0072	O0073	O0074	O0075	O0076	O0077
A	/	17	37	57	77	90	107	129	157	197	207
STEEL SHEET WIDTH	/	165	185	205	225	238	255	277	305	345	355



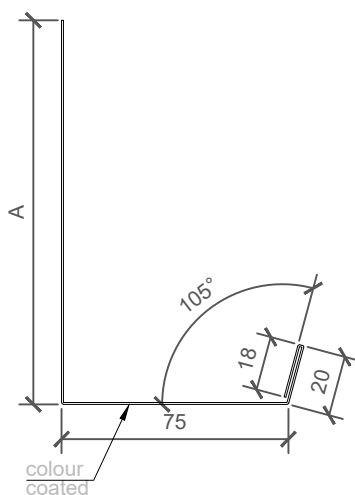
REFERENCE	
COLOUR	
A	0
SHEET WIDTH	168
LENGTH	
PIECES	

NOTES

material: Colored metal sheet
 thickness [mm]: 0,6
 sheet width [mm]: A+168
 folds: 7
 Lmax [mm] = 6000
 Dimension A should be adjusted to the window frame - option 60 mm

ELEMENT_ O522_Jamb flashing

PANEL THICKNESS	50	60	80	100	120	133	150	172	200	240	250
CODE	O0079	O0080	O0081	O0082	O0083	O0084	O0085	O0086	O0087	O0088	O0089
A	/	67	87	107	127	140	157	179	207	247	257
STEEL SHEET WIDTH	/	180	200	220	240	253	270	292	320	360	370



REFERENCE	
COLOUR	
A	0
SHEET WIDTH	113
LENGTH	
PIECES	

NOTES

material: Colored metal sheet
 thickness [mm]: 0,6
 sheet width [mm]: A+113
 folds: 4
 Lmax [mm] = 6000
 Dimension A should be adjusted to the window frame - option 60 mm

HORIZONTAL INSTALLATION

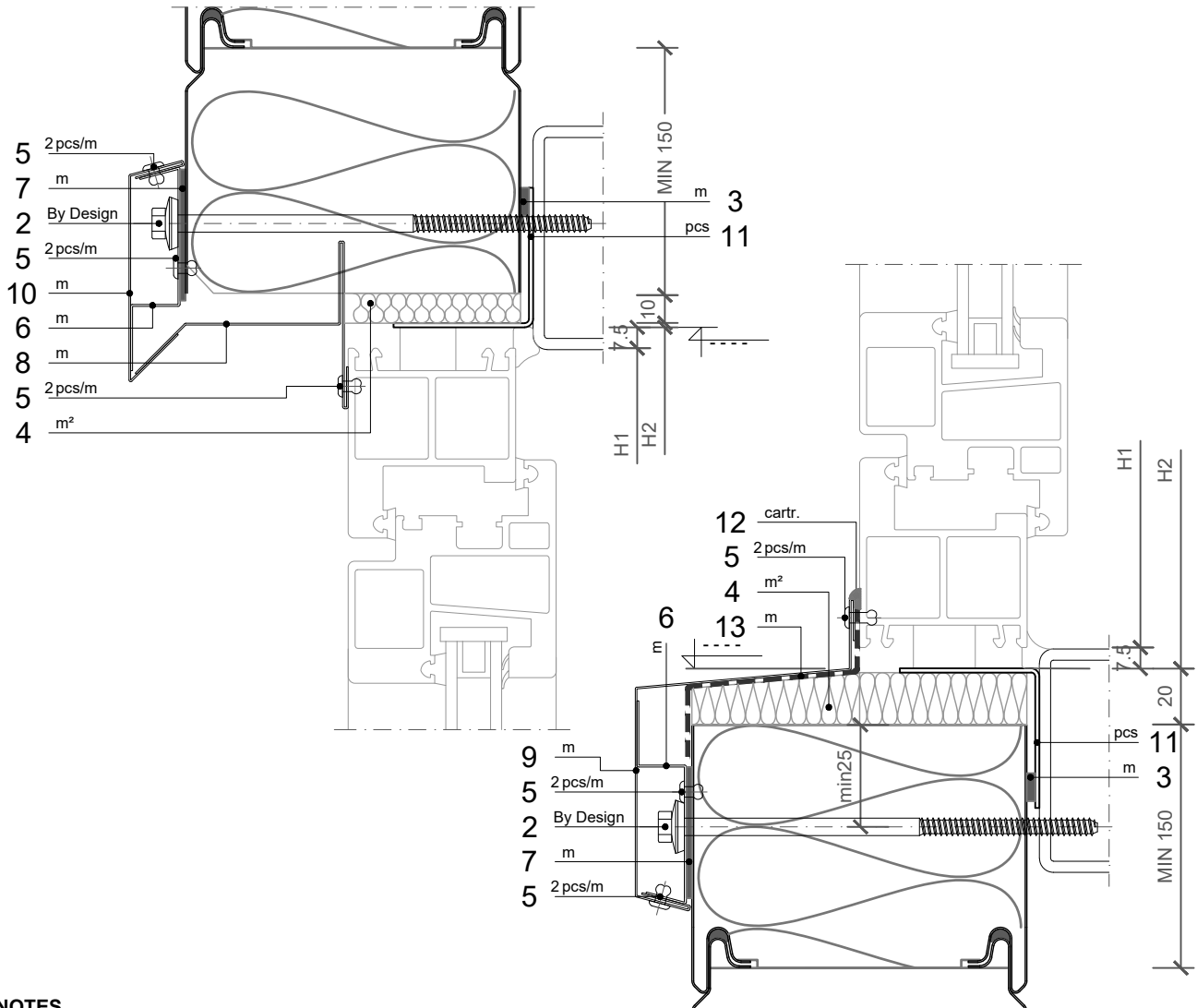
TRIMOTERM FTV

BUILDING APPLICATION

- External Facade
- Internal Wall
- Roof
- External Soffit
- Internal Ceiling
- Backing panel

VERTICAL CUT - HEAD

VERTICAL CUT - SILL



NOTES

- Window installation according project requirement - not Trimo d.o.o. scope
- For thicker panels mechanical treatment is needed for installation
- Detail is suitable also for door frame

POS	CODE	ELEMENT	AMOUNT	UNIT
2	V130	Fixing screw	By Design	
3	30006985	Self adhesive sealing tape 5x10xL		m
4	30027144	Thermal insulation		m ²
5	K001	Rivet 4xL		pcs
6	O078	Flashing support	dwg	
7	5012487	Self adhesive sealing tape EPDM 2x47x100 (under the fixing)		m
8	O084	Drip flashing - head	dwg	
9	O069	Drip flashing - sill	dwg	
10	O076	Drip flashing mask	dwg	
11	N068	Support frame	dwg	
12	30025810	Mastic sealant		cartr.
13	30009208	Vapour control layer - outer; with EPDM glue		m

SCALE: M 1:2.5

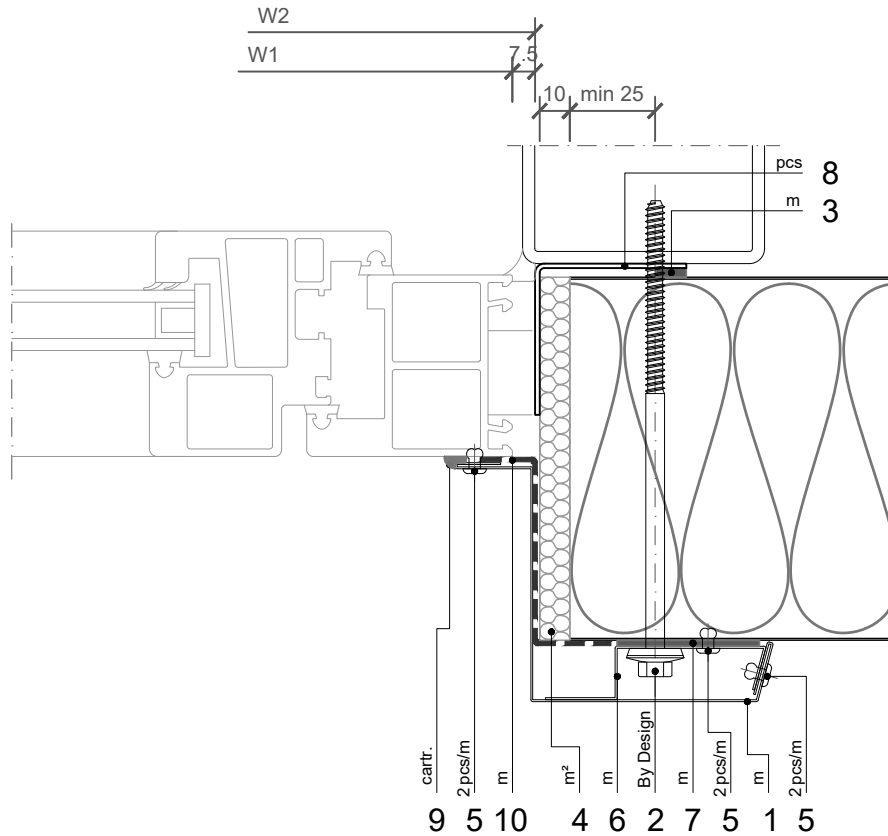
HORIZONTAL INSTALLATION

TRIMOTERM FTV

BUILDING APPLICATION

- External Facade
- Internal Wall
- Roof
- External Soffit
- Internal Ceiling
- Backing panel

HORIZONTAL CUT - JAMB



NOTES

- Apply mastic seal (acc. TE-H-01.01 - ELEMENTS 01)
- Window installation according project requirement - not Trimo d.o.o. scope
- Detail is suitable also for door frame

POS	CODE	ELEMENT	AMOUNT	UNIT
1	O787	Jamb flashing	dwg	
2	V130	Fixing screw	By Design	
3	30006985	Self adhesive sealing tape 5x10xL		m
4	30027144	Thermal insulation		m ²
5	K001	Rivet 4xL		pcs
6	O078	Flashing support	dwg	
7	5012487	Self adhesive sealing tape EPDM 2x47x100 (under the fixing)		m
8	N068	Support frame	dwg	
9	30025810	Mastic sealant		cartr.
10	30009208	Vapour control layer - outer; with EPDM glue		m

SCALE: M 1:2.5

WINDOW DIMENSIONS - SCHEMATIC

H ... WINDOW VERTICAL DIMENSIONS

W ... WINDOW HORIZONTAL DIMENSIONS

H1, W1 ... WINDOW OPENING DIMENSIONS

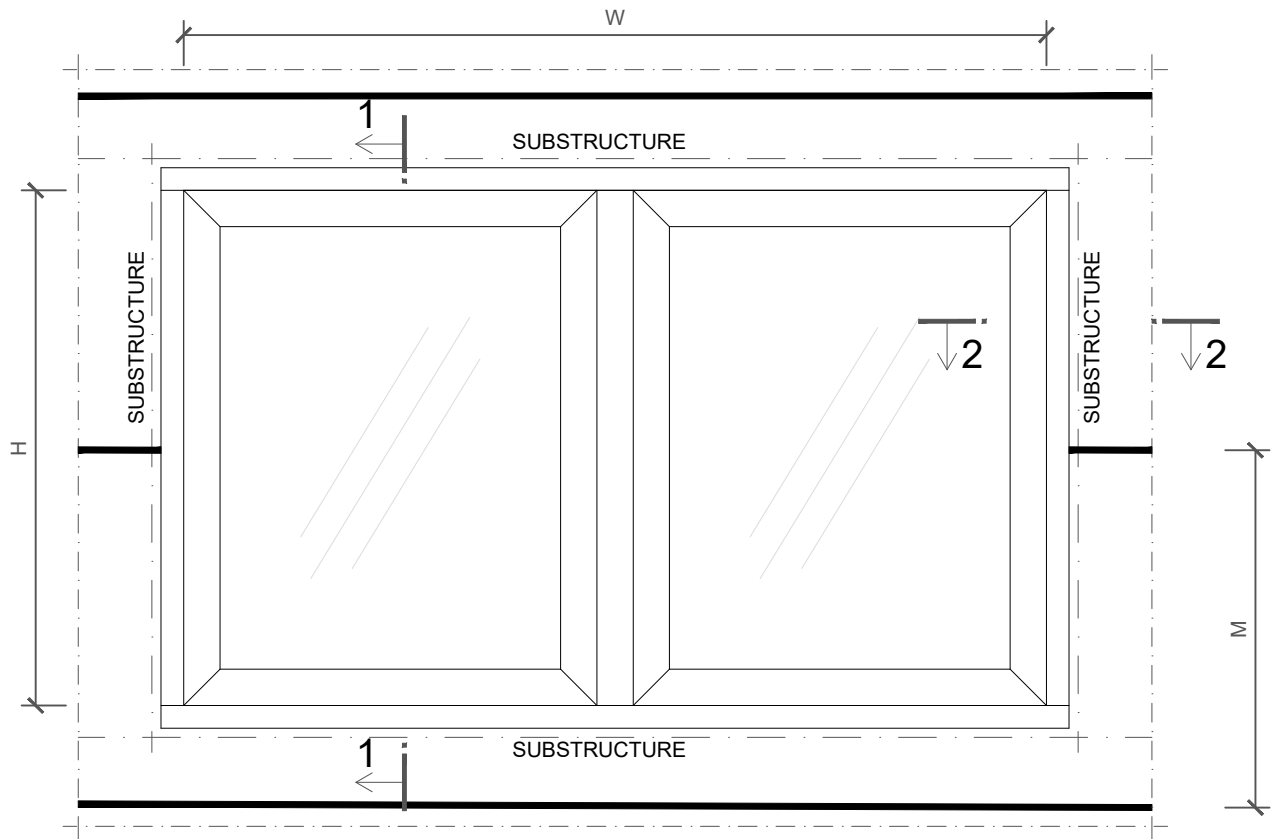
H2, W2 ... WINDOW CLEAR DIMENSIONS

H2-H1= 15 mm; W2-W1 = 15 mm

M ... PANEL MODULE

1-1 ... VERTICAL CUT

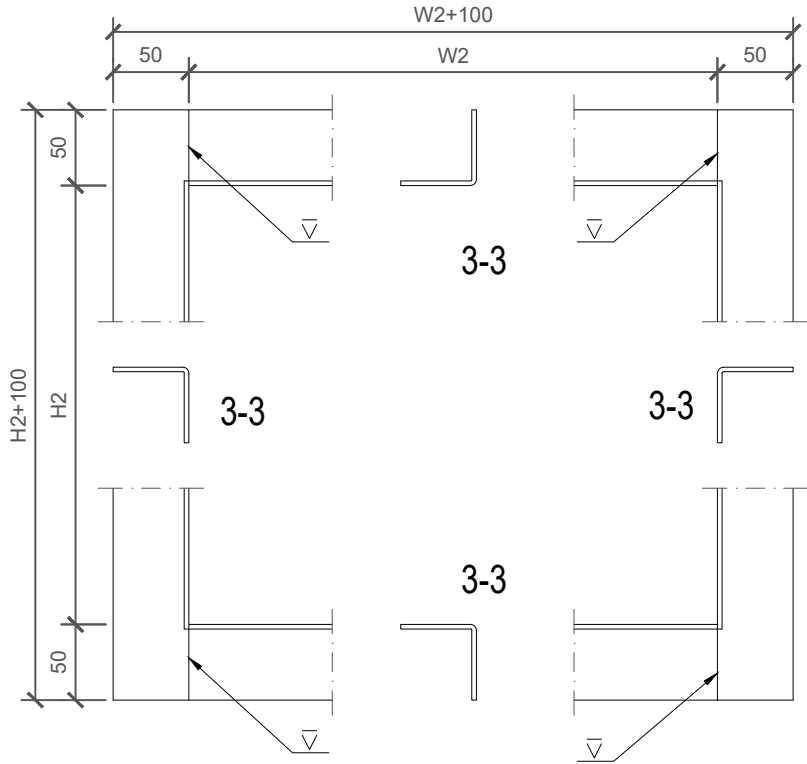
2-2 ... HORIZONTAL CUT



NOTE

- Performance of a detail without a substructure is allowed only when Trimo technical department has prepared a prior structural calculation.

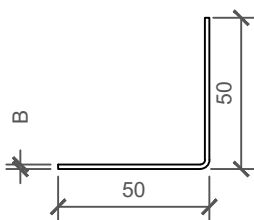
ELEMENT_ N068_ Support frame



REFERENCE	
H2	
W2	
PIECES	

ELEMENT_ N068_ Section 3-3

PANEL THICKNESS	50	60	80	100	120	133	150	172	200	240	250
CODE	N0073	N0073	N0073	N0073	N0073	N0074	N0074	N0074	N0074	N0074	N0074
B	1,5	1,5	1,5	1,5	1,5	2	2	2	2	2	2
STEEL SHEET WIDTH	97	97	97	97	97	96	96	96	96	96	96



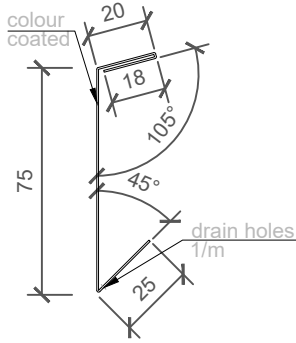
REFERENCE	
LENGTH(W)	
PIECES	

REFERENCE	
LENGTH(H)	
PIECES	

NOTES

material: Zinc - coated metal sheet (B mm)
 L max = 4000 mm
 The weld seam should be protected using a zinc - based paint.
 Dimensions should be verified with structural analyses

ELEMENT_ O076_Drip flashing mask



REFERENCE	
COLOUR	
LENGTH	
PIECES	

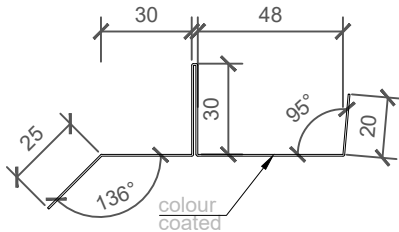
NOTES

material: Colored metal sheet
 thickness [mm]: 0,6
 sheet width [mm]: 138
 folds: 4
 Lmax [mm] = 6000

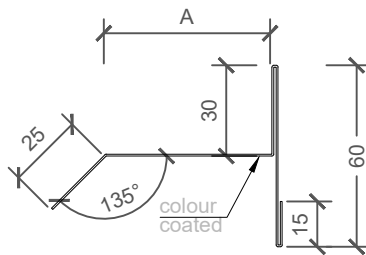
ELEMENT_ O084_Drip flashing - head

PANEL THICKNESS	50	60	80	100	120	133	150	172	200	240	250
CODE	/	/	O0057	O0123	O0124	O0125	O0126	O0127	O0128	O0129	O0130
A	/	/	/	35	55	68	85	107	135	175	185
STEEL SHEET WIDTH	/	/	183	165	185	198	215	237	265	305	315

ELEMENT_ O0057
 Panel thickness 80 mm



ELEMENT_ O0124-O0130
 Panel thickness > 80 mm

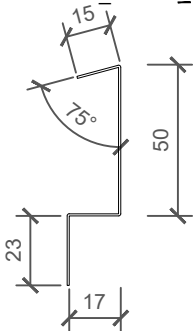


REFERENCE	
COLOUR	
A	0
SHEET WIDTH	130
LENGTH	
PIECES	

NOTES

material: Colored metal sheet
 thickness [mm]: 0,6
 sheet width [mm]: A+130 (183 - d=80)
 folds: 6
 Lmax [mm] = 6000
 Butyl tape on the aluminium foil should be used for panels 50, 60 mm thick instead of drip flashing
 Dimension A should be adjusted to the window frame - option 60 mm
 For dimension A is recommended to be taken on site.

ELEMENT_ O078_Flashing support



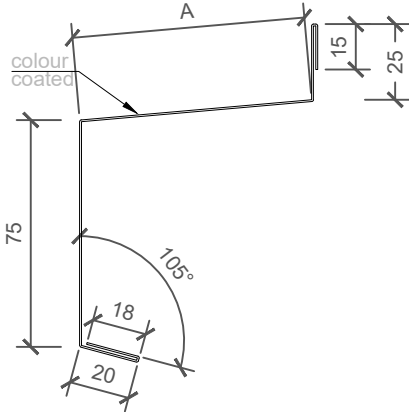
REFERENCE	
LENGTH	
PIECES	

NOTES

material: Galvanized metal sheet
 thickness [mm]: 0,7
 sheet width [mm]: 105
 folds: 3
 Lmax [mm] = 6000

ELEMENT_ O069_Drip flashing - sill

PANEL THICKNESS	50	60	80	100	120	133	150	172	200	240	250
CODE	/	O0132	O0133	O0134	O0135	O0136	O0137	O0138	O0139	O0140	O0141
A	/	17	37	57	77	90	107	129	157	197	207
STEEL SHEET WIDTH	/	170	190	210	230	243	260	282	310	350	360



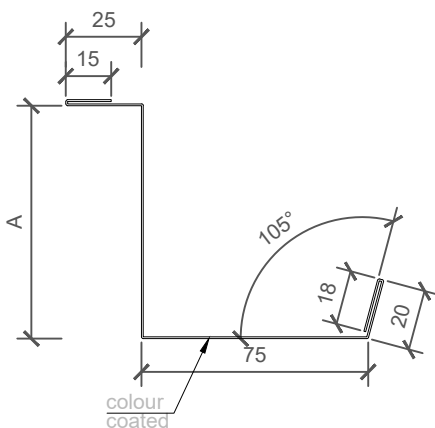
REFERENCE	
COLOUR	
A	0
SHEET WIDTH	153
LENGTH	
PIECES	

NOTES

material: Colored metal sheet
 thickness [mm]: 0,6
 sheet width [mm]: A+153
 folds: 7
 Lmax [mm] = 6000
 Dimension A should be adjusted to the window frame - option 60 mm
 For dimension A is recommended to be taken on site.

ELEMENT_ O787_Jamb flashing

PANEL THICKNESS	50	60	80	100	120	133	150	172	200	240	250
CODE	/	O0143	O0144	O0145	O0146	O0147	O0148	O0149	O0150	O0151	O0152
A	/	17	37	57	77	90	107	129	157	197	207
STEEL SHEET WIDTH	/	170	190	210	230	243	260	282	310	350	360



REFERENCE	
COLOUR	
A	0
SHEET WIDTH	153
LENGTH	
PIECES	

NOTES

material: Colored metal sheet
 thickness [mm]: 0,6
 sheet width [mm]: A+153
 folds: 7
 Lmax [mm] = 6000
 Dimension A should be adjusted to the window frame - option 60 mm
 For dimension A is recommended to be taken on site.

HORIZONTAL INSTALLATION

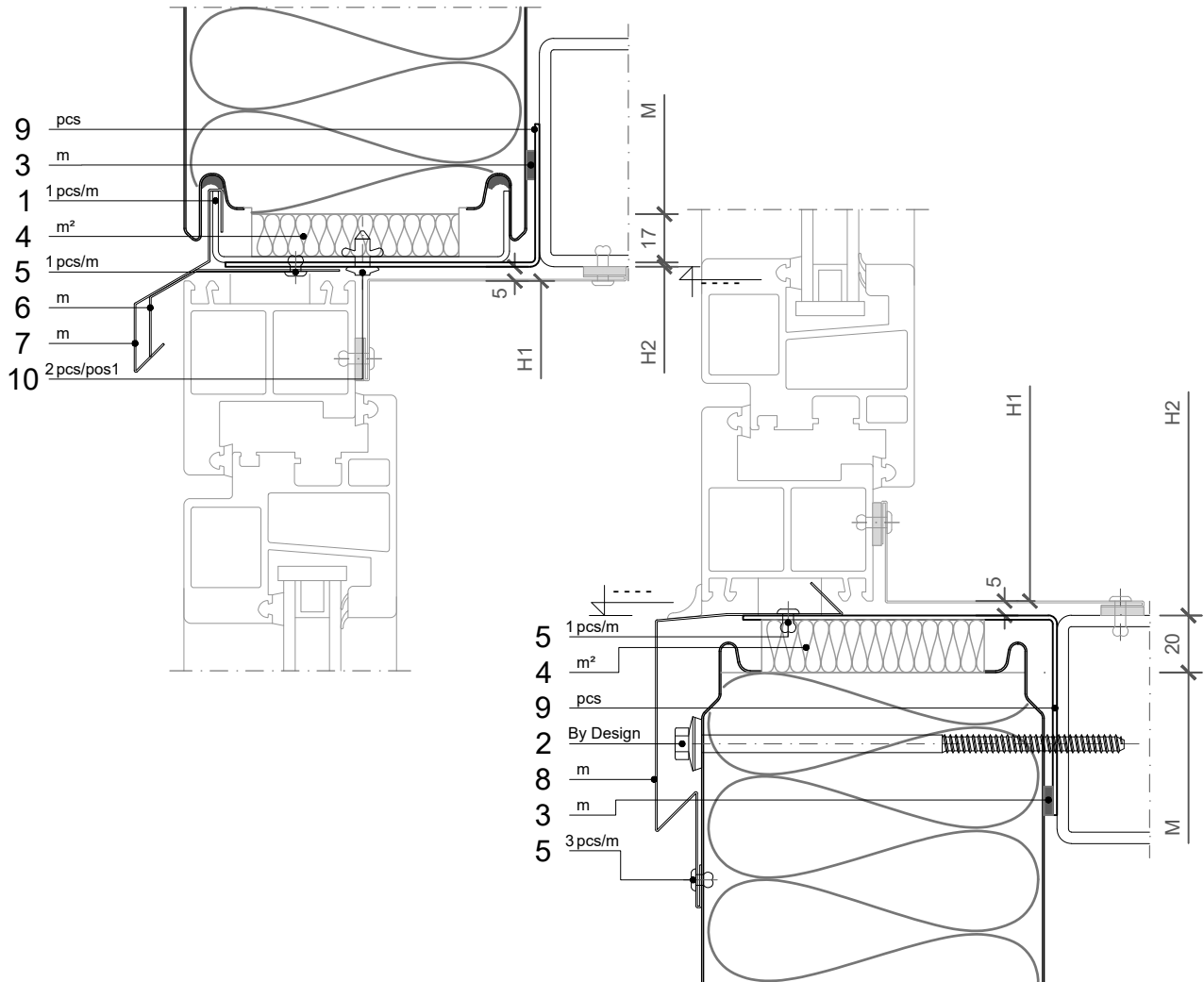
TRIMOTERM FTV

BUILDING APPLICATION

- External Facade
- Internal Wall
- Roof
- External Soffit
- Internal Ceiling
- Backing panel

VERTICAL CUT - HEAD

VERTICAL CUT - SILL



NOTES

- Window installation according project requirement - not Trimo d.o.o. scope
- For thicker panels mechanical treatment is needed for installation
- Detail is suitable also for door frame

POS	CODE	ELEMENT	AMOUNT	UNIT
1	N005	Panel support profile	dwg	
2	V130	Fixing screw	By Design	
3	30006985	Self adhesive sealing tape 5x10xL		m
4	30027144	Thermal insulation		m ²
5	K001	Rivet 4xL		pcs
6	O0020	Drip flashing mask - head	dwg	
7	O103	Drip flashing - head	dwg	
8	O0032	Drip flashing - sill	dwg	
9	N063	Support frame	dwg	
10	K011	Bulb tite rivet 5,2xL		pcs

SCALE: M 1:2.5

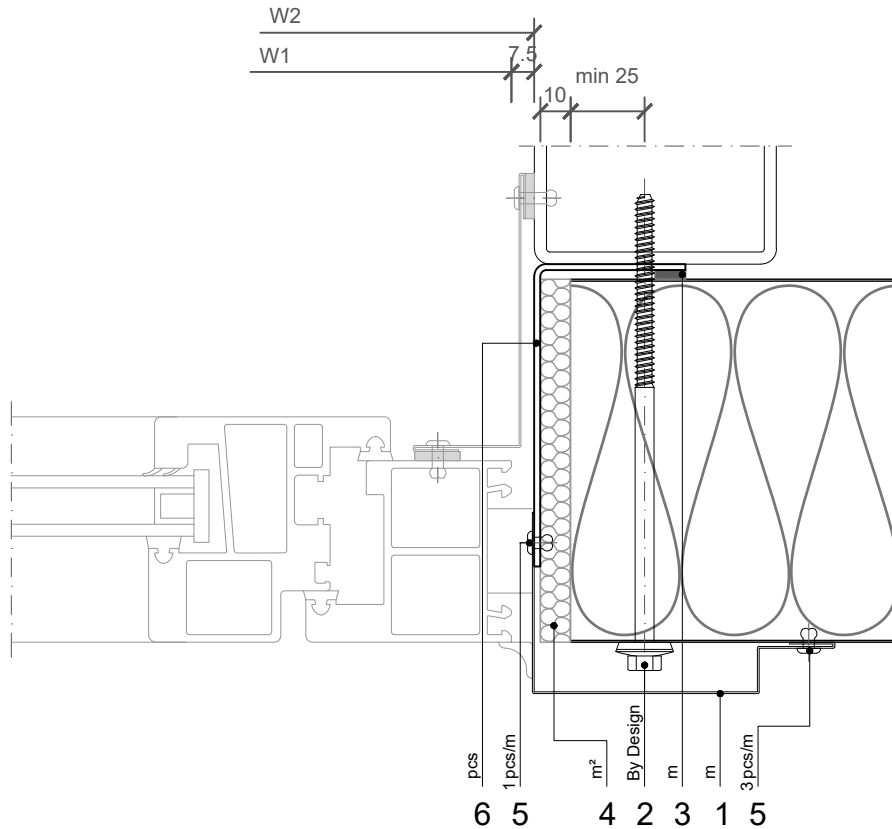
HORIZONTAL INSTALLATION

TRIMOTERM FTV

BUILDING APPLICATION

- External Facade
- Internal Wall
- Roof
- External Soffit
- Internal Ceiling
- Backing panel

HORIZONTAL CUT - JAMB



NOTES

- Apply mastic seal (acc. **TE-H-01.01 - ELEMENTS 01**)
- Window installation according project requirement - not Trimo d.o.o. scope
- Detail is suitable also for door frame

POS	CODE	ELEMENT	AMOUNT	UNIT
1	O0044	Jamb flashing	dwg	
2	V130	Fixing screw	By Design	
3	30006985	Self adhesive sealing tape 5x10xL		m
4	30027144	Thermal insulation		m ²
5	K001	Rivet 4xL		pcs
6	N063	Support frame	dwg	

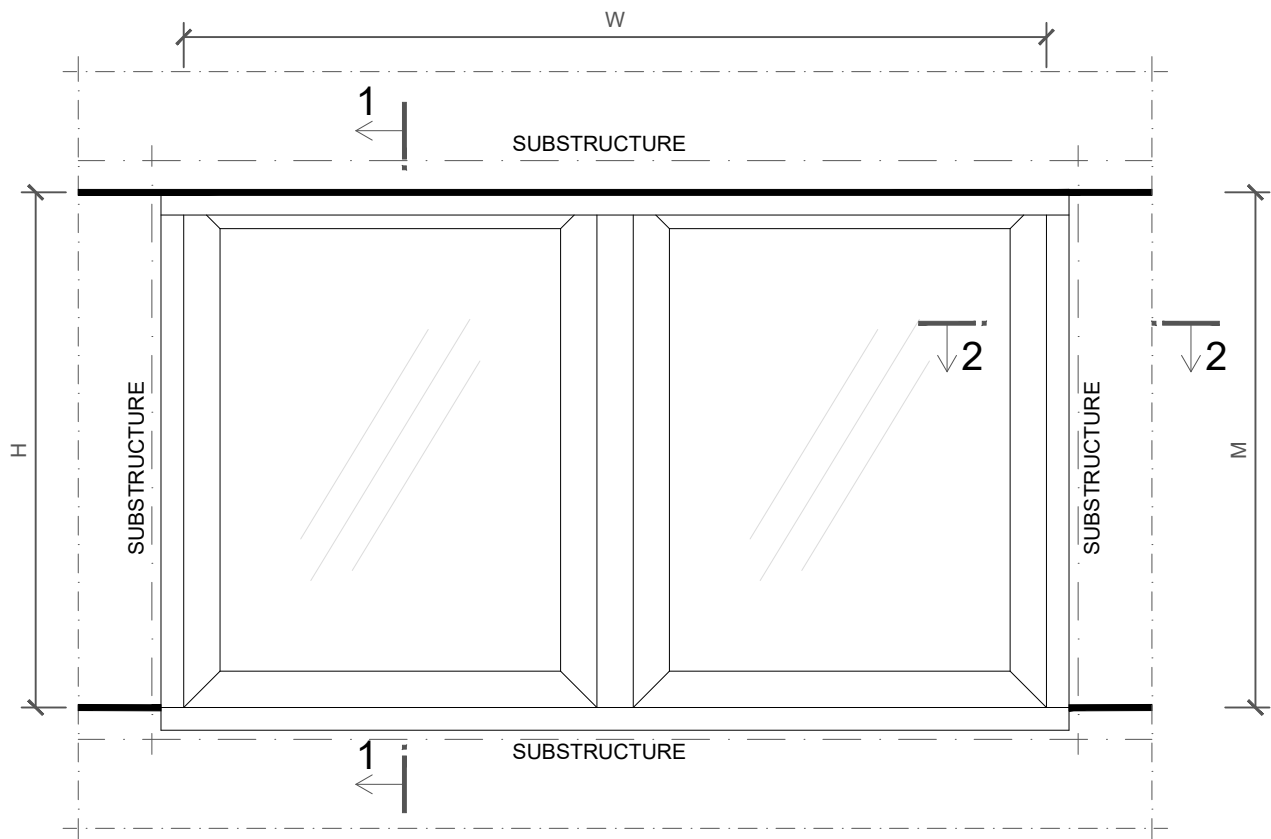
SCALE: M 1:2.5

WINDOW 02

Trimo Group holds full copyrights on the information and details provided on this media, therefore any unauthorized reproduction and distribution is strictly prohibited.

WINDOW DIMENSIONS - SCHEMATIC

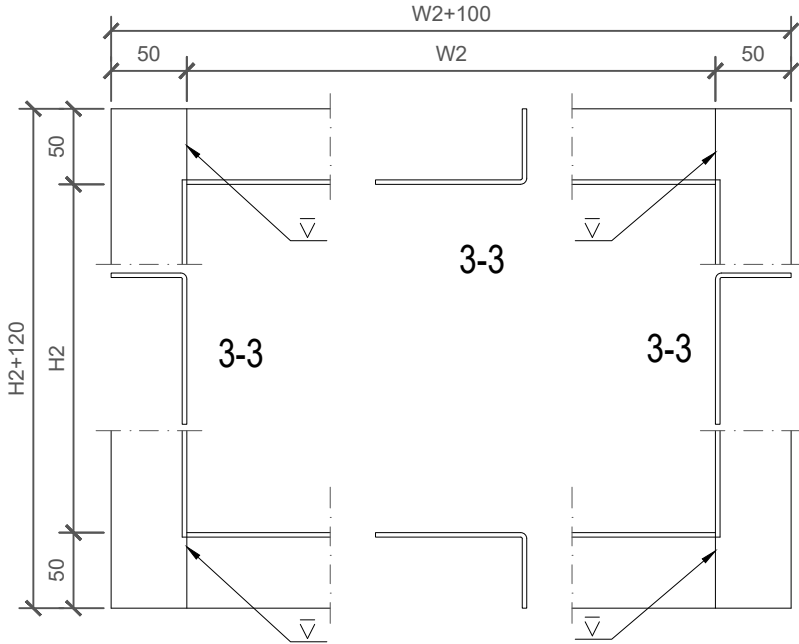
- H ... WINDOW VERTICAL DIMENSIONS
- W ... WINDOW HORIZONTAL DIMENSIONS
- H1, W1 ... WINDOW OPENING DIMENSIONS
- H2, W2 ... WINDOW CLEAR DIMENSIONS
- H2-H1= 10 mm; W2-W1 = 15 mm
- M ... PANEL MODULE
- 1-1 ... VERTICAL CUT
- 2-2 ... HORIZONTAL CUT



NOTE

- Performance of a detail without a substructure is allowed only when Trimo technical department has prepared a prior structural calculation.

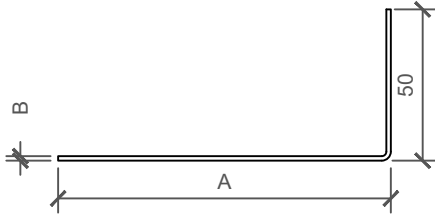
ELEMENT_ N063_ Support frame



REFERENCE	
H2	
W2	
PIECES	

ELEMENT_ N074_ Section 3-3

PANEL THICKNESS	50	60	80	100	120	133	150	172	200	240	250
CODE	N0037	N0038	N0039	N0040	N0041	N0042	N0043	N0044	N0045	N0046	N0047
A	40	50	70	90	110	123	140	162	190	230	240
B	1,5	1,5	1,5	1,5	1,5	2	2	2	2	2	2
STEEL SHEET WIDTH	87	97	117	137	157	169	186	208	236	276	286



REFERENCE	
LENGTH(W)	
PIECES	

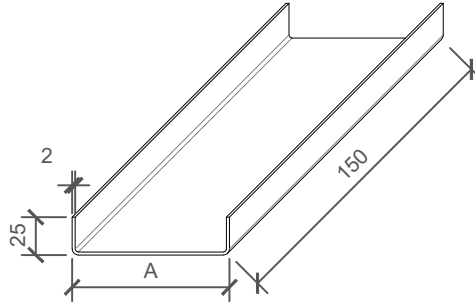
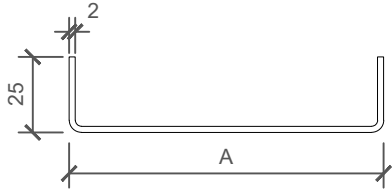
REFERENCE	
LENGTH(H)	
PIECES	

NOTES

material: Zinc - coated metal sheet (B mm)
 L max = 4000 mm
 The weld seam should be protected using a zinc - based paint.
 Dimensions should be verified with structural analyses

ELEMENT_ N005_Panel support profile

PANEL THICKNESS	50	60	80	100	120	133	150	172	200	240	250
CODE	N0001	N0002	N0003	N0004	N0005	N0006	N0007	N0008	N0009	N0010	N0011
A	34	44	64	84	104	117	134	156	184	224	234
STEEL SHEET WIDTH	76	86	106	126	146	159	176	198	226	266	276

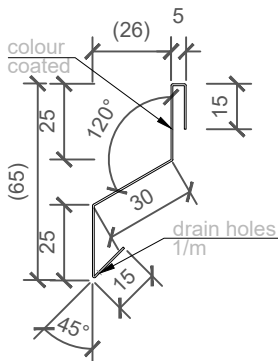


REFERENCE	
A	0
SHEET WIDTH	42
PIECES	

NOTES

material: Zinc - coated metal sheet
 thickness [mm]: 2
 sheet width [mm]: 42+A
 folds: 2
 L [mm] = 150

ELEMENT_ O103_Drip flashing

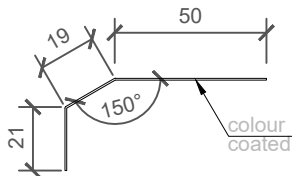


REFERENCE	
COLOUR	
LENGTH	
PIECES	

NOTES

material: Colored metal sheet
 thickness [mm]: 0,6
 sheet width [mm]: 115
 folds: 5
 Lmax [mm] = 6000

ELEMENT_ O0020_Drip flashing mask - head

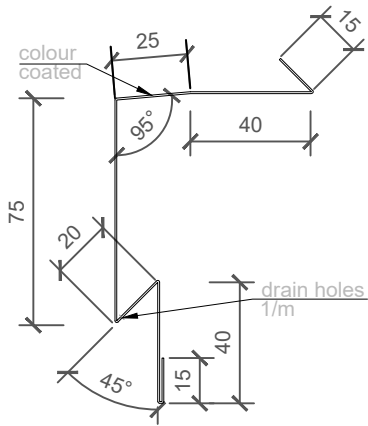


REFERENCE	
COLOUR	
LENGTH	
PIECES	

NOTES

material: Colored metal sheet
 thickness [mm]: 0,6
 sheet width [mm]: 90
 folds: 2
 Lmax [mm] = 6000

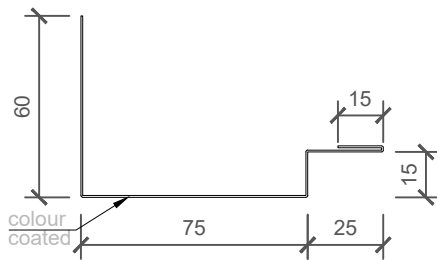
ELEMENT_O0032_Drip flashing - sill



REFERENCE	
COLOUR	
LENGTH	
PIECES	

NOTES
 material: Colored metal sheet
 thickness [mm]: 0,6
 sheet width [mm]: 230
 folds: 7
 Lmax [mm] = 6000

ELEMENT_O0044_Jamb flashing



REFERENCE	
COLOUR	
LENGTH	
PIECES	

NOTES
 material: Colored metal sheet
 thickness [mm]: 0,6
 sheet width [mm]: 190
 folds: 5
 Lmax [mm] = 6000

HORIZONTAL INSTALLATION

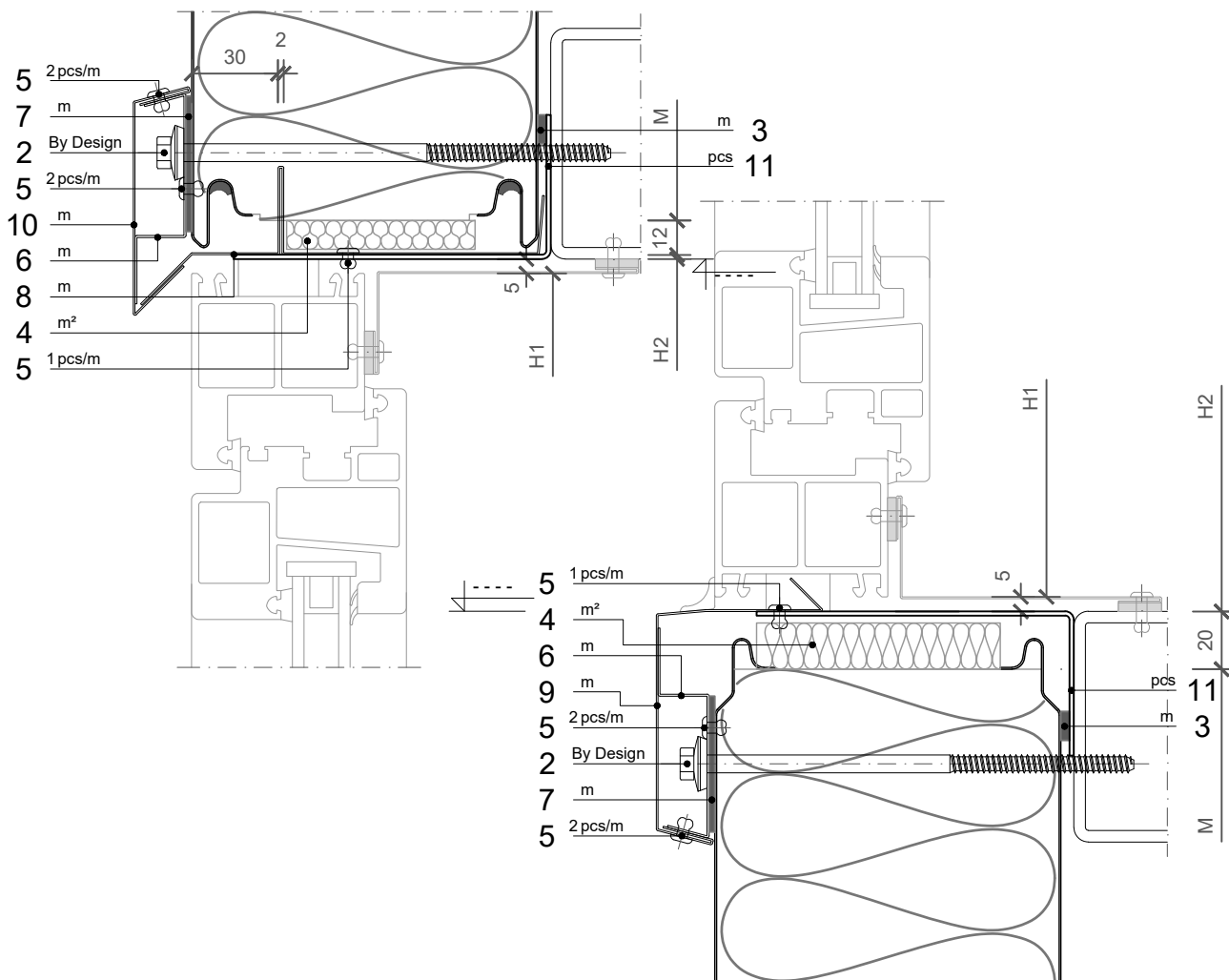
TRIMOTERM FTV

BUILDING APPLICATION

- External Facade
- Internal Wall
- Roof
- External Soffit
- Internal Ceiling
- Backing panel

VERTICAL CUT - HEAD

VERTICAL CUT - SILL



NOTES

- Window installation according project requirement - not Trimo d.o.o. scope
- For thicker panels mechanical treatment is needed for installation
- Detail is suitable also for door frame

POS	CODE	ELEMENT	AMOUNT	UNIT
2	V130	Fixing screw	By Design	
3	30006985	Self adhesive sealing tape 5x10xL		m
4	30027144	Thermal insulation		m ²
5	K001	Rivet 4xL		pcs
6	O078	Flashing support	dwg	
7	5012487	Self adhesive sealing tape EPDM 2x47x100 (under the fixing)		m
8	O540	Drip flashing - head	dwg	
9	O0068	Drip flashing - sill	dwg	
10	O076	Drip flashing mask	dwg	
11	N063	Support frame	dwg	

SCALE: M 1:2.5

WINDOW 01

Trimo Group holds full copyrights on the information and details provided on this media, therefore any unauthorized reproduction and distribution is strictly prohibited.

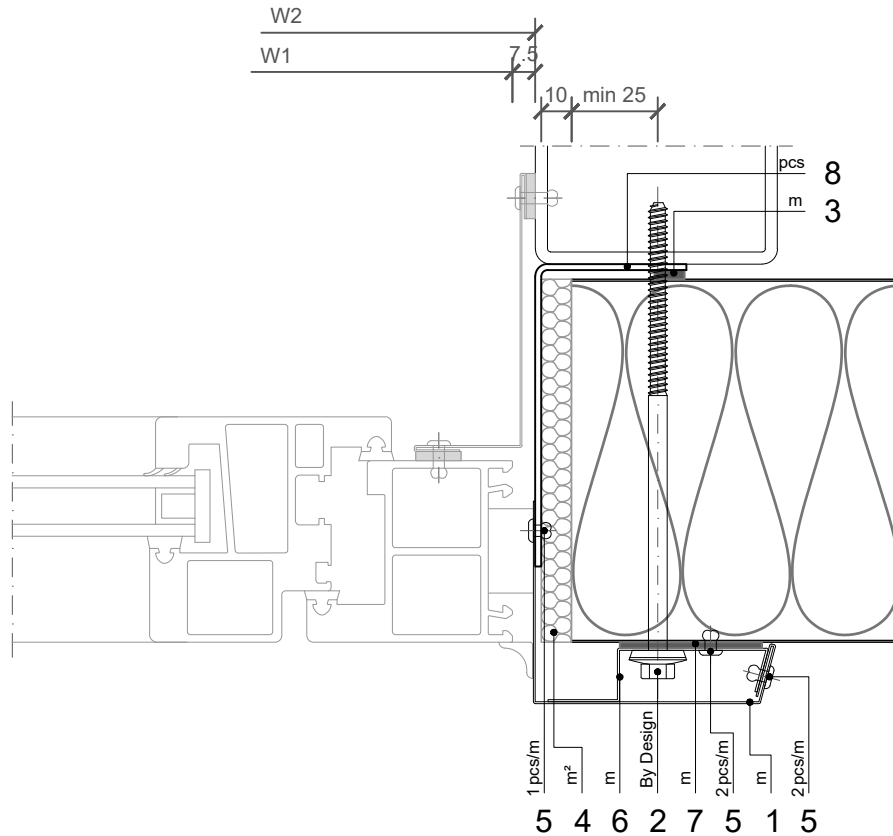
HORIZONTAL INSTALLATION

TRIMOTERM FTV

BUILDING APPLICATION

- External Facade
- Internal Wall
- Roof
- External Soffit
- Internal Ceiling
- Backing panel

HORIZONTAL CUT - JAMB



NOTES

- Apply mastic seal (acc. TE-H-01.01 - ELEMENTS 01)
- Window installation according project requirement - not Trimo d.o.o. scope
- Detail is suitable also for door frame

POS	CODE	ELEMENT	AMOUNT	UNIT
1	O0080	Jamb flashing	dwg	
2	V130	Fixing screw	By Design	
3	30006985	Self adhesive sealing tape 5x10xL		m
4	30027144	Thermal insulation		m²
5	K001	Rivet 4xL		pcs
6	O078	Flashing support	dwg	
7	5012487	Self adhesive sealing tape EPDM 2x47x100 (under the fixing)		m
8	N063	Support frame	dwg	

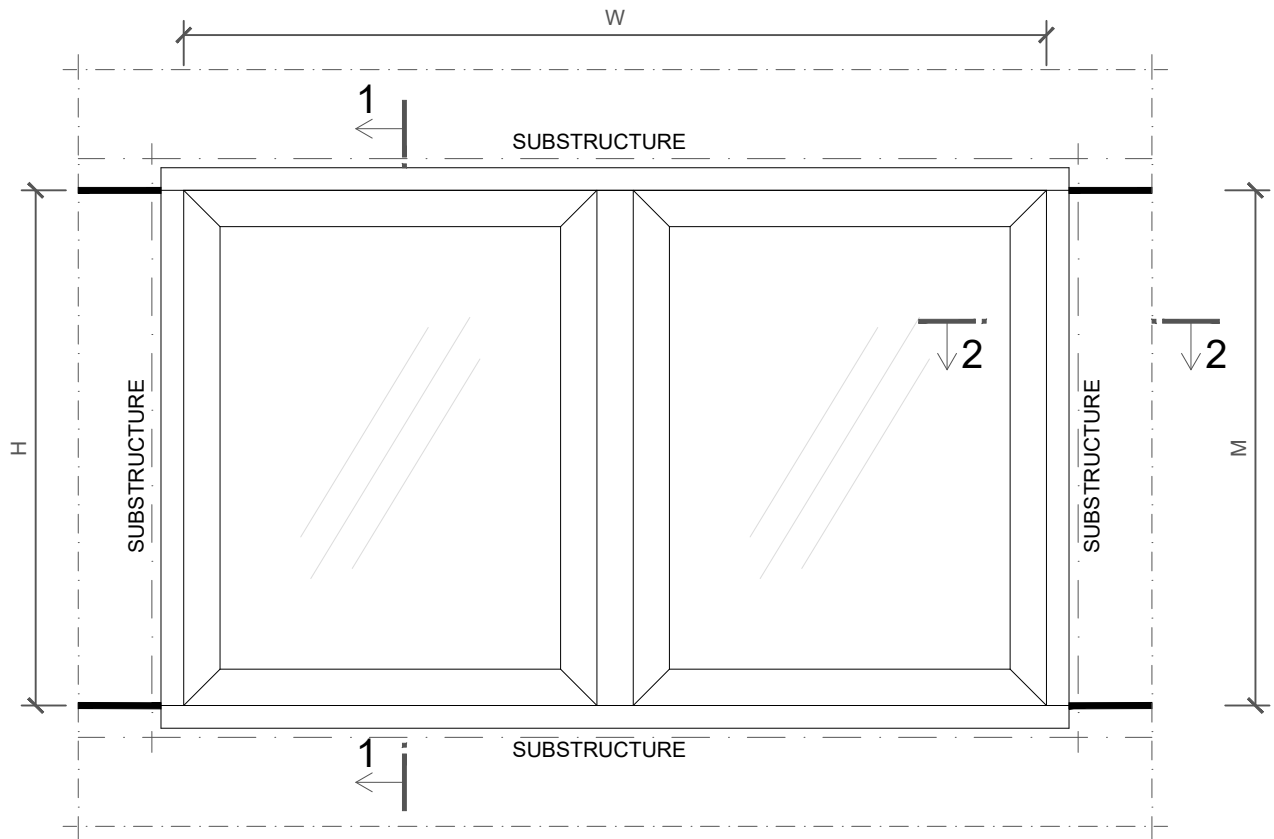
SCALE: M 1:2.5

WINDOW 02

Trimo Group holds full copyrights on the information and details provided on this media, therefore any unauthorized reproduction and distribution is strictly prohibited.

WINDOW DIMENSIONS - SCHEMATIC

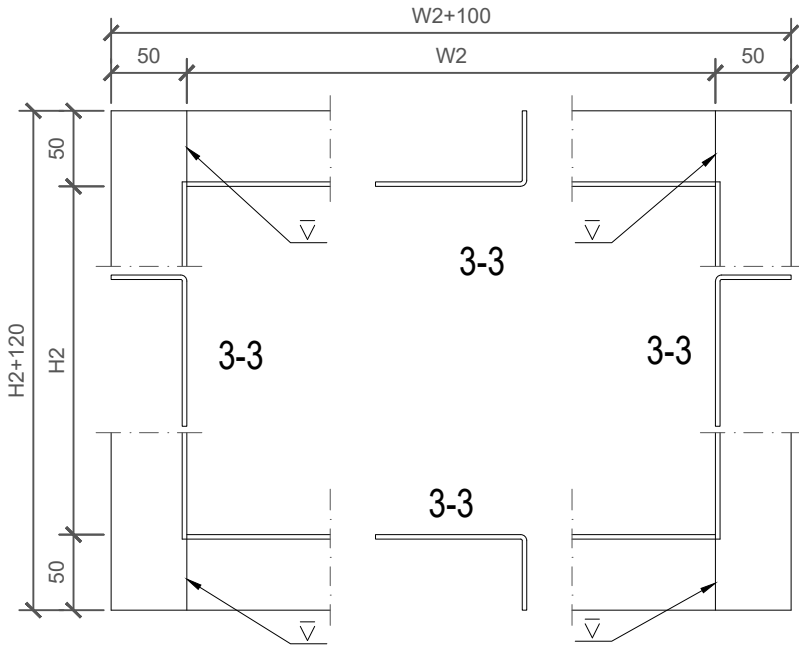
- H ... WINDOW VERTICAL DIMENSIONS
- W ... WINDOW HORIZONTAL DIMENSIONS
- H1, W1 ... WINDOW OPENING DIMENSIONS
- H2, W2 ... WINDOW CLEAR DIMENSIONS
- H2-H1= 10 mm; W2-W1 = 15 mm
- M ... PANEL MODULE
- 1-1 ... VERTICAL CUT
- 2-2 ... HORIZONTAL CUT



NOTE

- Performance of a detail without a substructure is allowed only when Trimo technical department has prepared a prior structural calculation.

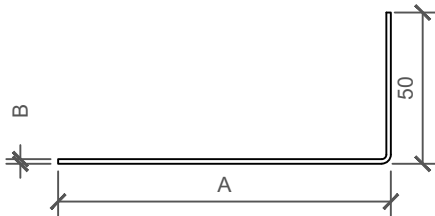
ELEMENT_N063_Support frame



REFERENCE	
H2	
W2	
PIECES	

ELEMENT_N074_Section 3-3

PANEL THICKNESS	50	60	80	100	120	133	150	172	200	240	250
CODE	N0037	N0038	N0039	N0040	N0041	N0042	N0043	N0044	N0045	N0046	N0047
A	40	50	70	90	110	123	140	162	190	230	240
B	1,5	1,5	1,5	1,5	1,5	2	2	2	2	2	2
STEEL SHEET WIDTH	87	97	117	137	157	169	186	208	236	276	286



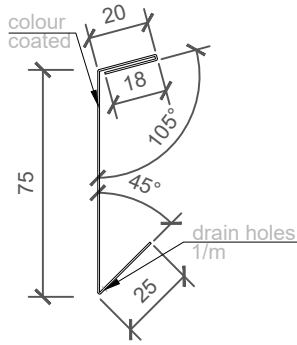
REFERENCE	
LENGTH(W)	
PIECES	

REFERENCE	
LENGTH(H)	
PIECES	

NOTES

material: Zinc - coated metal sheet (B mm)
 L max = 4000 mm
 The weld seam should be protected using a zinc - based paint.
 Dimensions should be verified with structural analyses

ELEMENT_ O076_Drip flashing mask



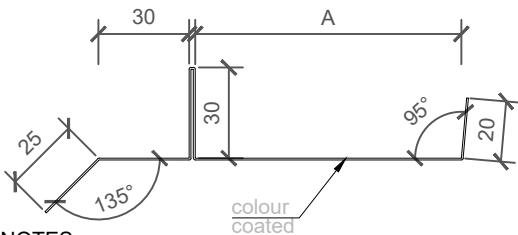
REFERENCE	
COLOUR	
LENGTH	
PIECES	

NOTES

material: Colored metal sheet
 thickness [mm]: 0,6
 sheet width [mm]: 138
 folds: 4
 Lmax [mm] = 6000

ELEMENT_ O540_Drip flashing - head

PANEL THICKNESS	50	60	80	100	120	133	150	172	200	240	250
CODE	O0055	O0056	O0057	O0058	O0059	O0060	O0061	O0062	O0063	O0064	O0065
A	/	28	48	68	88	101	118	140	168	208	218
STEEL SHEET WIDTH	/	163	183	203	223	236	253	275	303	343	353

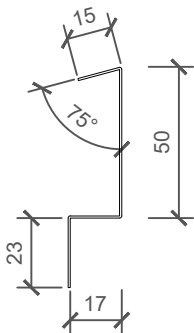


REFERENCE	
COLOUR	
A	0
SHEET WIDTH	135
LENGTH	
PIECES	

NOTES

material: Colored metal sheet
 thickness [mm]: 0,6
 sheet width [mm]: A+135
 folds: 6
 Lmax [mm] = 6000

ELEMENT_ O078_Flashing support

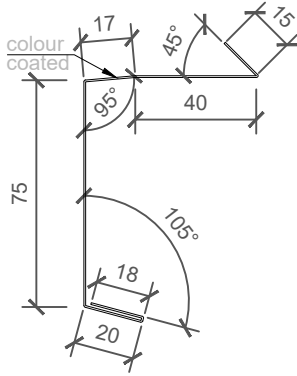


REFERENCE	
LENGTH	
PIECES	

NOTES

material: Galvanized metal sheet
 thickness [mm]: 0,7
 sheet width [mm]: 105
 folds: 3
 Lmax [mm] = 6000

ELEMENT_O0068_Drip flashing - sill

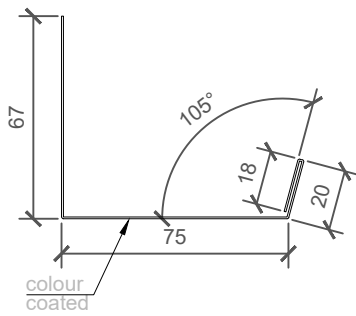


REFERENCE	
COLOUR	
LENGTH	
PIECES	

NOTES

material: Colored metal sheet
 thickness [mm]: 0,6
 sheet width [mm]: 165
 folds: 7
 Lmax [mm] = 6000

ELEMENT_O0080_Jamb flashing



REFERENCE	
COLOUR	
LENGTH	
PIECES	

NOTES

material: Colored metal sheet
 thickness [mm]: 0,6
 sheet width [mm]: 180
 folds: 4
 Lmax [mm] = 6000

HORIZONTAL INSTALLATION

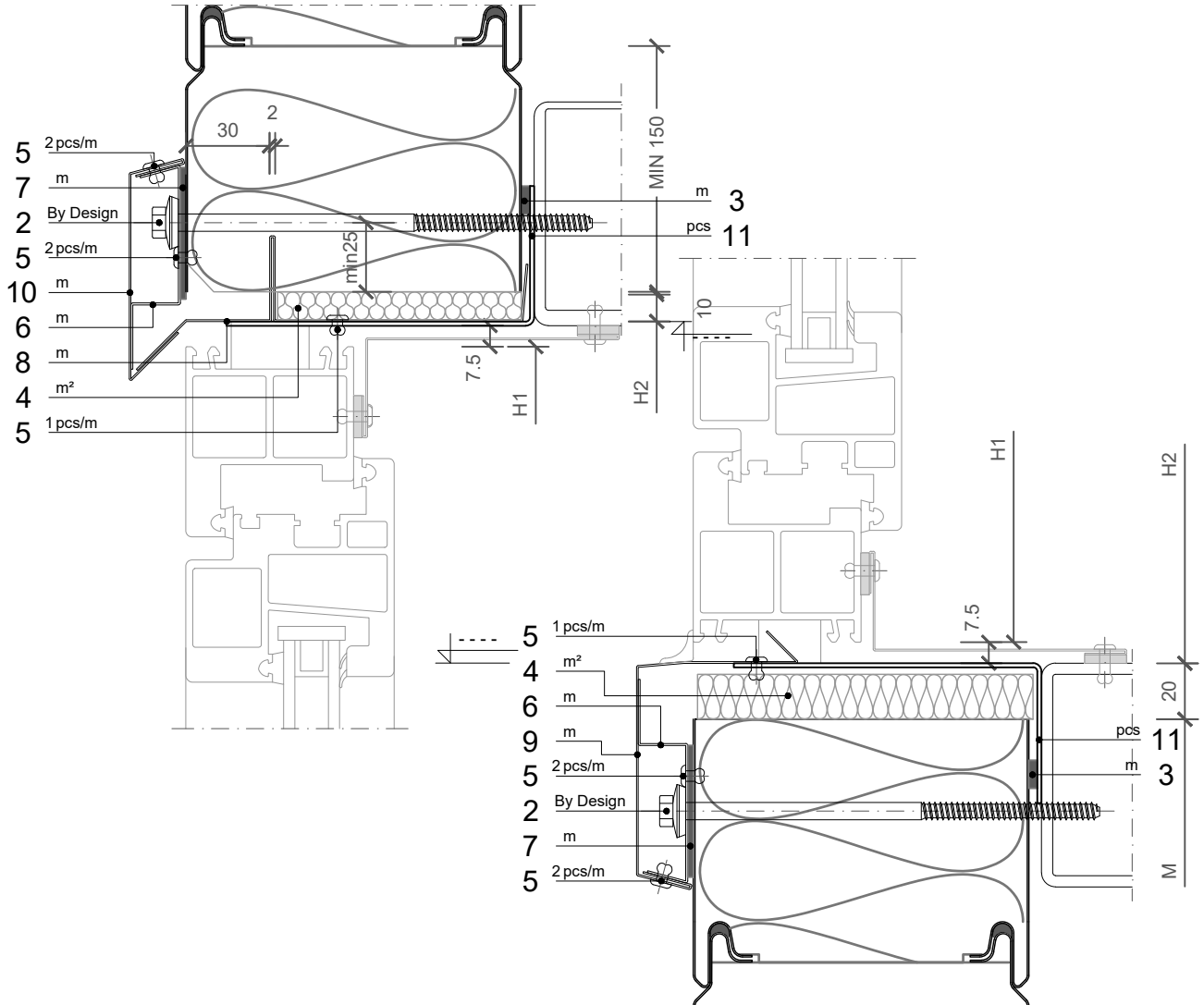
TRIMOTERM FTV

BUILDING APPLICATION

- External Facade
- Internal Wall
- Roof
- External Soffit
- Internal Ceiling
- Backing panel

VERTICAL CUT - HEAD

VERTICAL CUT - SILL



NOTES

- Window installation according project requirement - not Trimo d.o.o. scope
- For thicker panels mechanical treatment is needed for installation
- Detail is suitable also for door frame

POS	CODE	ELEMENT	AMOUNT	UNIT
2	V130	Fixing screw	By Design	
3	30006985	Self adhesive sealing tape 5x10xL		m
4	30027144	Thermal insulation		m ²
5	K001	Rivet 4xL		pcs
6	O078	Flashing support	dwg	
7	5012487	Self adhesive sealing tape EPDM 2x47x100 (under the fixing)		m
8	O540	Drip flashing - head	dwg	
9	O0068	Drip flashing - sill	dwg	
10	O076	Drip flashing mask	dwg	
11	N063	Support frame	dwg	

SCALE: M 1:2.5

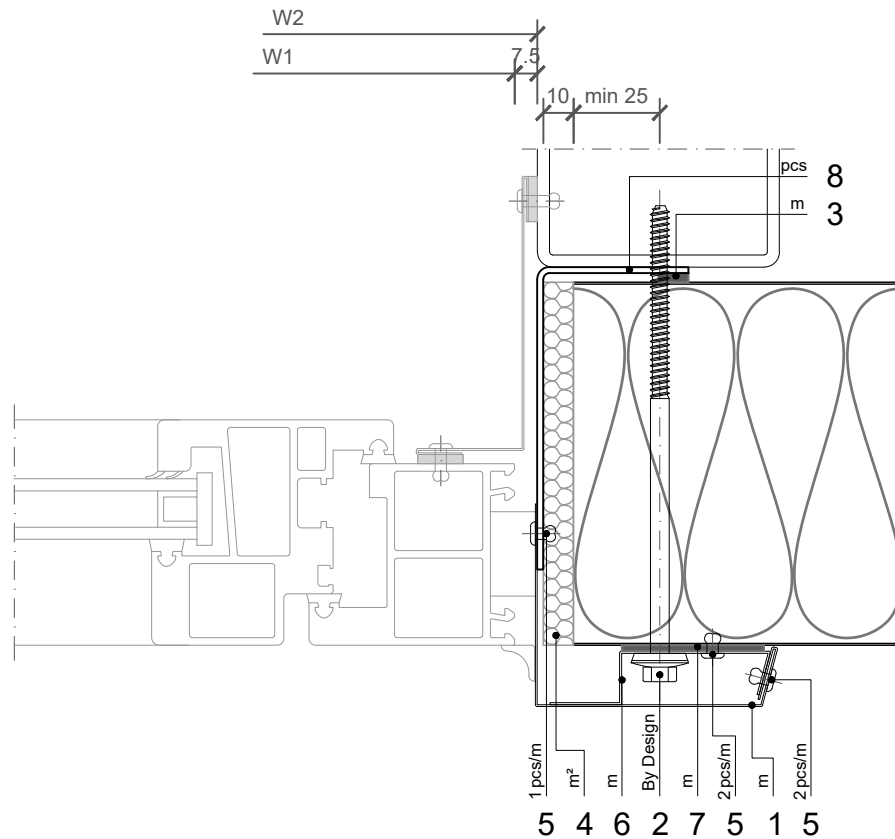
HORIZONTAL INSTALLATION

TRIMOTERM FTV

BUILDING APPLICATION

- External Facade
- Internal Wall
- Roof
- External Soffit
- Internal Ceiling
- Backing panel

HORIZONTAL CUT - JAMB



NOTES

- Apply mastic seal (acc. TE-H-01.01 - ELEMENTS 01)
- Window installation according project requirement - not Trimo d.o.o. scope
- Detail is suitable also for door frame

POS	CODE	ELEMENT	AMOUNT	UNIT
1	O0080	Jamb flashing	dwg	
2	V130	Fixing screw	By Design	
3	30006985	Self adhesive sealing tape 5x10xL		m
4	30027144	Thermal insulation		m²
5	K001	Rivet 4xL		pcs
6	O078	Flashing support	dwg	
7	5012487	Self adhesive sealing tape EPDM 2x47x100 (under the fixing)		m
8	N063	Support frame	dwg	

SCALE: M 1:2.5

WINDOW 02

Trimo Group holds full copyrights on the information and details provided on this media, therefore any unauthorized reproduction and distribution is strictly prohibited.

WINDOW DIMENSIONS - SCHEMATIC

H ... WINDOW VERTICAL DIMENSIONS

W ... WINDOW HORIZONTAL DIMENSIONS

H1, W1 ... WINDOW OPENING DIMENSIONS

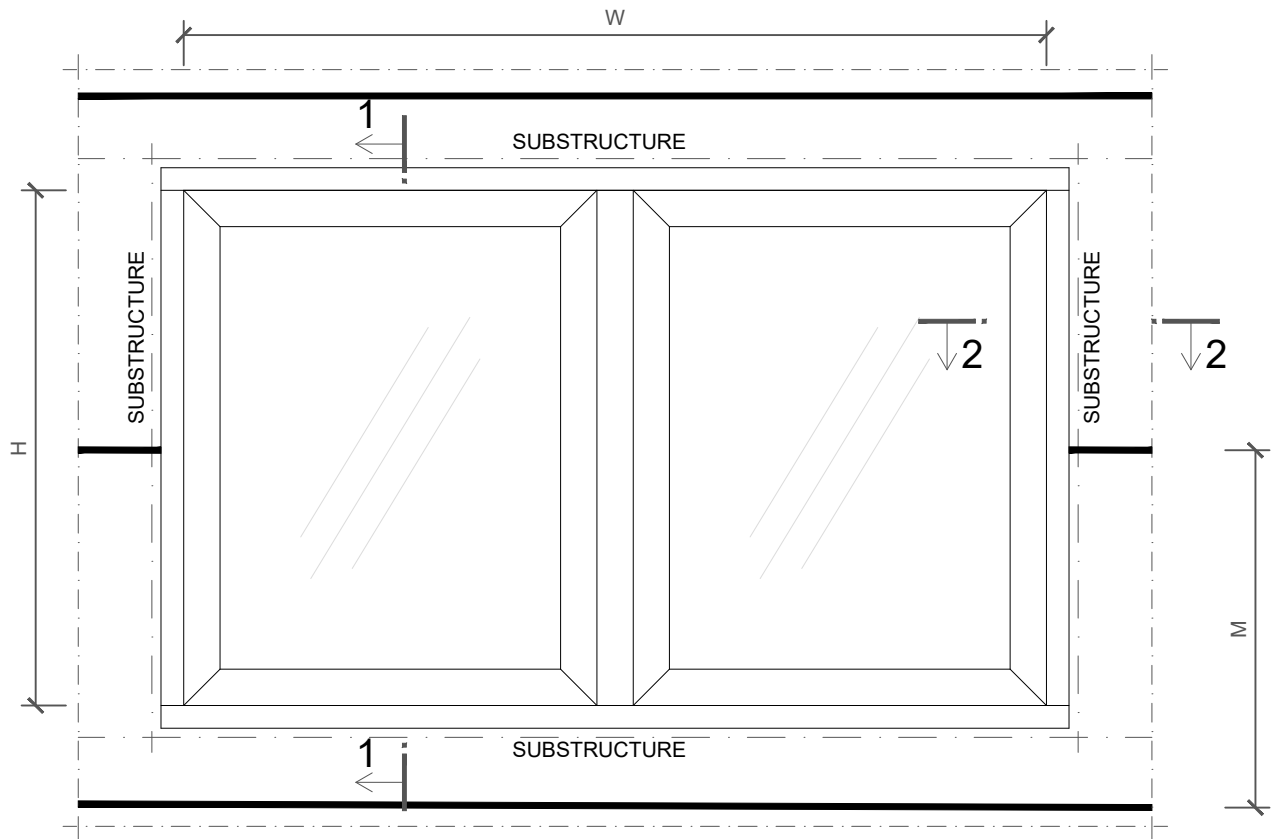
H2, W2 ... WINDOW CLEAR DIMENSIONS

H2-H1= 15 mm; W2-W1 = 15 mm

M ... PANEL MODULE

1-1 ... VERTICAL CUT

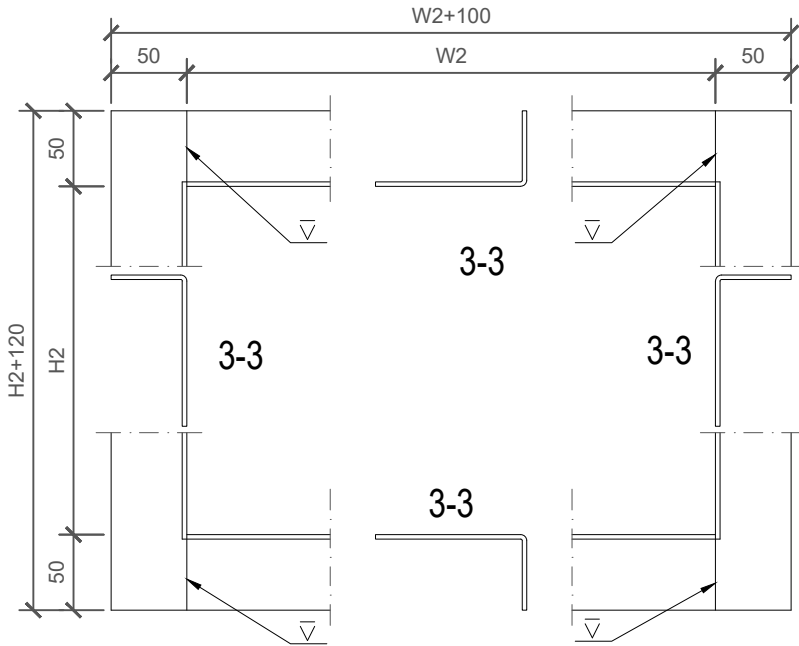
2-2 ... HORIZONTAL CUT



NOTE

- Performance of a detail without a substructure is allowed only when Trimo technical department has prepared a prior structural calculation.

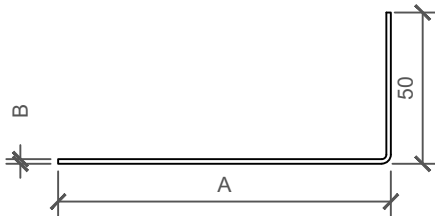
ELEMENT_N063_Support frame



REFERENCE	
H2	
W2	
PIECES	

ELEMENT_N074_Section 3-3

PANEL THICKNESS	50	60	80	100	120	133	150	172	200	240	250
CODE	N0037	N0038	N0039	N0040	N0041	N0042	N0043	N0044	N0045	N0046	N0047
A	40	50	70	90	110	123	140	162	190	230	240
B	1,5	1,5	1,5	1,5	1,5	2	2	2	2	2	2
STEEL SHEET WIDTH	87	97	117	137	157	169	186	208	236	276	286



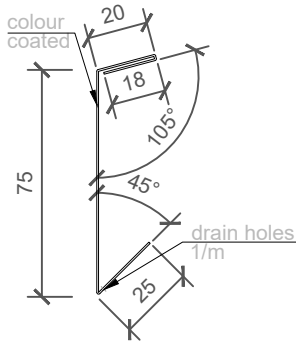
REFERENCE	
LENGTH(W)	
PIECES	

REFERENCE	
LENGTH(H)	
PIECES	

NOTES

material: Zinc - coated metal sheet (B mm)
 L max = 4000 mm
 The weld seam should be protected using a zinc - based paint.
 Dimensions should be verified with structural analyses

ELEMENT_ O076_Drip flashing mask



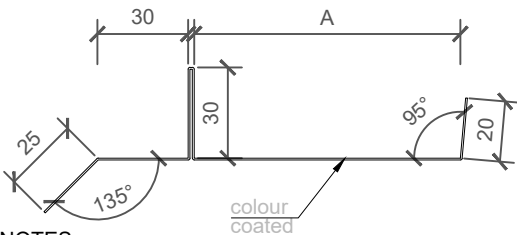
REFERENCE	
COLOUR	
LENGTH	
PIECES	

NOTES

material: Colored metal sheet
 thickness [mm]: 0,6
 sheet width [mm]: 138
 folds: 4
 Lmax [mm] = 6000

ELEMENT_ O540_Drip flashing - head

PANEL THICKNESS	50	60	80	100	120	133	150	172	200	240	250
CODE	O0055	O0056	O0057	O0058	O0059	O0060	O0061	O0062	O0063	O0064	O0065
A	/	28	48	68	88	101	118	140	168	208	218
STEEL SHEET WIDTH	/	163	183	203	223	236	253	275	303	343	353

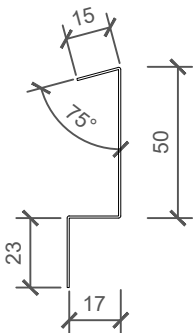


REFERENCE	
COLOUR	
A	0
SHEET WIDTH	135
LENGTH	
PIECES	

NOTES

material: Colored metal sheet
 thickness [mm]: 0,6
 sheet width [mm]: A+135
 folds: 6
 Lmax [mm] = 6000

ELEMENT_ O078_Flashing support

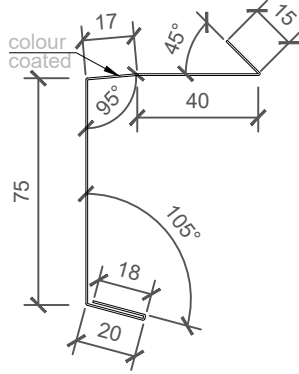


REFERENCE	
LENGTH	
PIECES	

NOTES

material: Galvanized metal sheet
 thickness [mm]: 0,7
 sheet width [mm]: 105
 folds: 3
 Lmax [mm] = 6000

ELEMENT_O0068_Drip flashing - sill

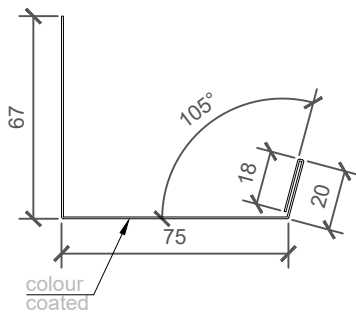


REFERENCE	
COLOUR	
LENGTH	
PIECES	

NOTES

material: Colored metal sheet
 thickness [mm]: 0,6
 sheet width [mm]: 165
 folds: 7
 Lmax [mm] = 6000

ELEMENT_O0080_Jamb flashing



REFERENCE	
COLOUR	
LENGTH	
PIECES	

NOTES

material: Colored metal sheet
 thickness [mm]: 0,6
 sheet width [mm]: 180
 folds: 4
 Lmax [mm] = 6000

HORIZONTAL INSTALLATION

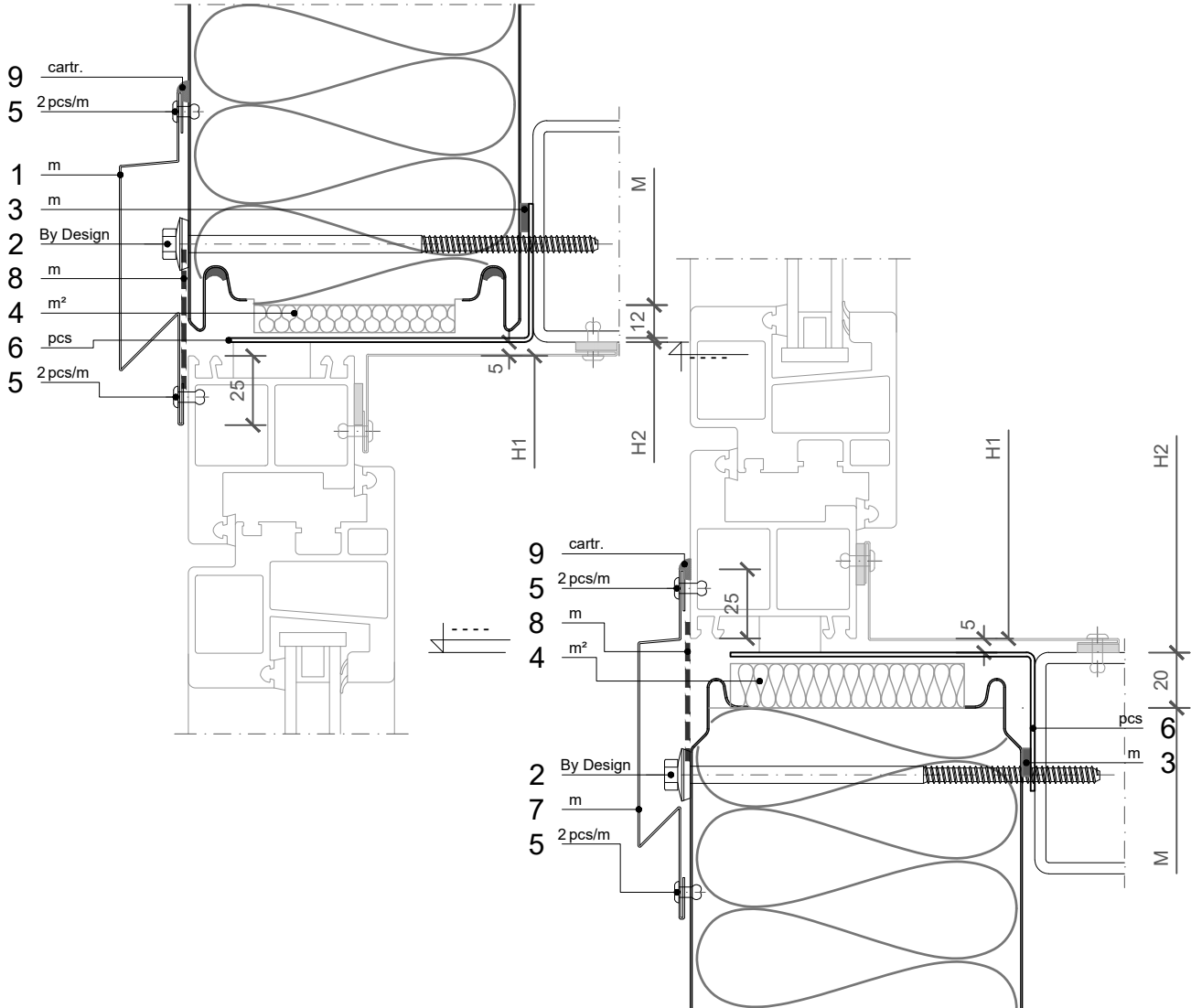
TRIMOTERM FTV

BUILDING APPLICATION

- External Facade
- External Soffit
- Internal Wall
- Internal Ceiling
- Roof
- Backing panel

VERTICAL CUT - HEAD

VERTICAL CUT - SILL



NOTES

- Window installation according project requirement - not Trimo d.o.o. scope
- For thicker panels mechanical treatment is needed for installation
- Detail is suitable also for door frame

POS	CODE	ELEMENT	AMOUNT	UNIT
1	O053	Drip flashing - head	dwg	
2	V130	Fixing screw	By Design	
3	30006985	Self adhesive sealing tape 5x10xL		m
4	30027144	Thermal insulation		m²
5	K001	Rivet 4xL		pcs
6	N063	Support frame	dwg	
7	O055	Drip flashing - sill		m
8	5012498	Butyl tape on the aluminium foil 1x50xL		m
9	30025810	Mastic sealant		cartr.

SCALE: M 1:2.5

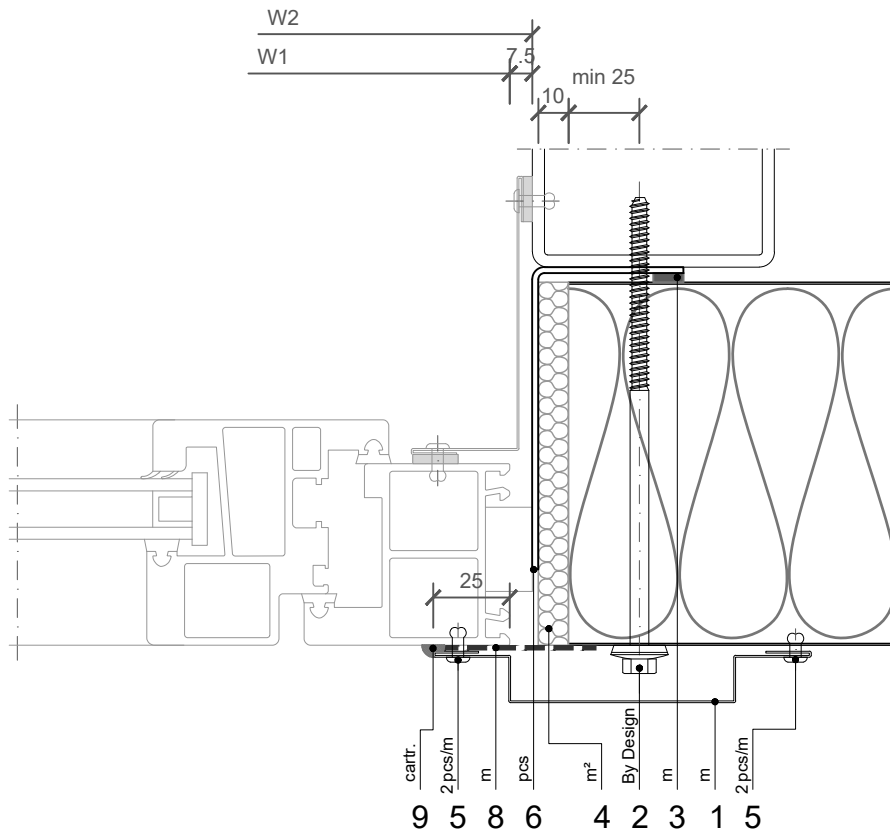
HORIZONTAL INSTALLATION

TRIMOTERM FTV

BUILDING APPLICATION

- External Facade
- Internal Wall
- Roof
- External Soffit
- Internal Ceiling
- Backing panel

HORIZONTAL CUT - JAMB



NOTES

- Apply mastic seal (acc. **TE-H-01.01 - ELEMENTS 01**)
- Window installation according project requirement - not Trimo d.o.o. scope
- Detail is suitable also for door frame

POS	CODE	ELEMENT	AMOUNT	UNIT
1	O519	Jamb flashing	dwg	
2	V130	Fixing screw	By Design	
3	30006985	Self adhesive sealing tape 5x10xL		m
4	30027144	Thermal insulation		m ²
5	K001	Rivet 4xL		pcs
6	N063	Support frame	dwg	
8	5012498	Butyl tape on the aluminium foil 1x50xL		m
9	30025810	Mastic sealant		cartr.

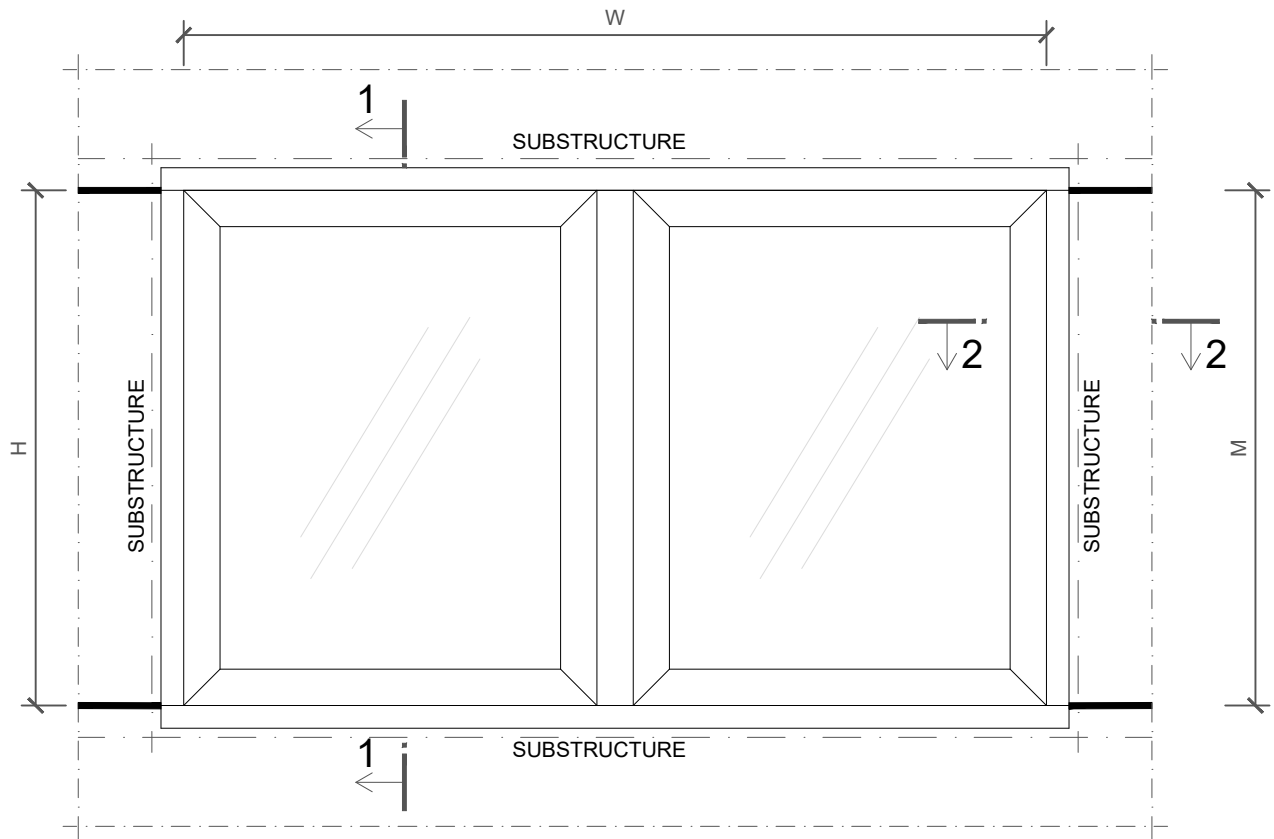
SCALE: M 1:2.5

WINDOW 02

Trimo Group holds full copyrights on the information and details provided on this media, therefore any unauthorized reproduction and distribution is strictly prohibited.

WINDOW DIMENSIONS - SCHEMATIC

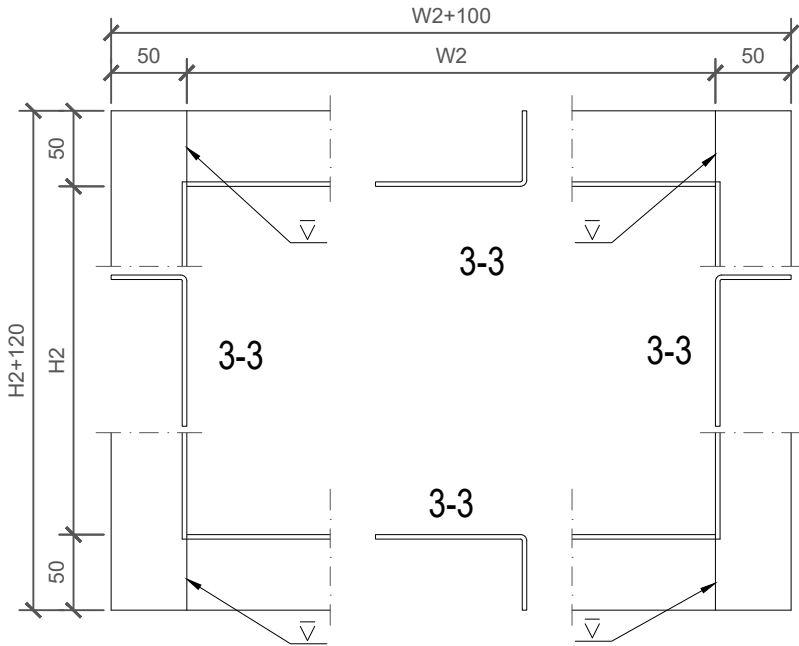
- H ... WINDOW VERTICAL DIMENSIONS
- W ... WINDOW HORIZONTAL DIMENSIONS
- H1, W1 ... WINDOW OPENING DIMENSIONS
- H2, W2 ... WINDOW CLEAR DIMENSIONS
- H2-H1= 10 mm; W2-W1 = 15 mm
- M ... PANEL MODULE
- 1-1 ... VERTICAL CUT
- 2-2 ... HORIZONTAL CUT



NOTE

- Performance of a detail without a substructure is allowed only when Trimo technical department has prepared a prior structural calculation.

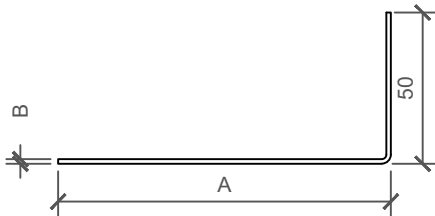
ELEMENT_ N063_ Support frame



REFERENCE	
H2	
W2	
PIECES	

ELEMENT_ N074_ Section 3-3

PANEL THICKNESS	50	60	80	100	120	133	150	172	200	240	250
CODE	N0037	N0038	N0039	N0040	N0041	N0042	N0043	N0044	N0045	N0046	N0047
A	40	50	70	90	110	123	140	162	190	230	240
B	1,5	1,5	1,5	1,5	1,5	2	2	2	2	2	2
STEEL SHEET WIDTH	87	97	117	137	157	169	186	208	236	276	286



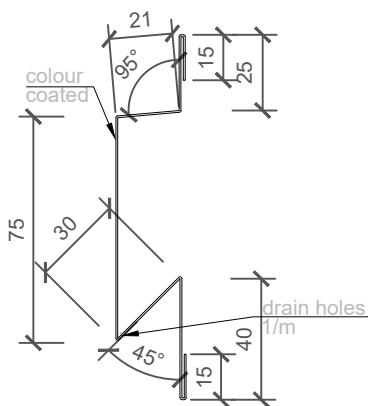
REFERENCE	
LENGTH(W)	
PIECES	

REFERENCE	
LENGTH(H)	
PIECES	

NOTES

material: Zinc - coated metal sheet (B mm)
 L max = 4000 mm
 The weld seam should be protected using a zinc - based paint.
 Dimensions should be verified with structural analyses

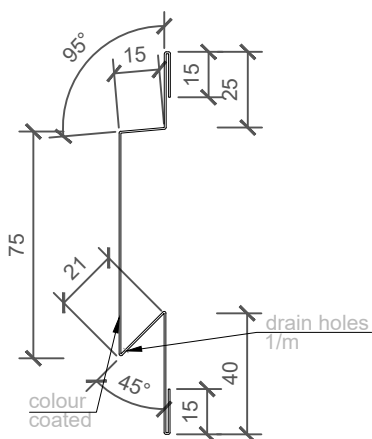
ELEMENT_ O053_Drip flashing - head



REFERENCE	
COLOUR	
LENGTH	
PIECES	

NOTES
 material: Colored metal sheet
 thickness [mm]: 0,6
 sheet width [mm]: 221
 folds: 8
 Lmax [mm] = 6000

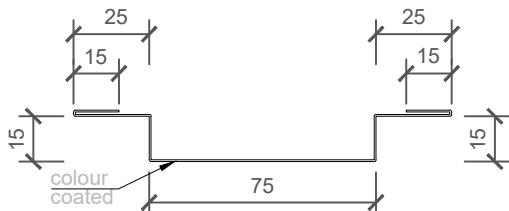
ELEMENT_ O055_Drip flashing - sill



REFERENCE	
COLOUR	
LENGTH	
PIECES	

NOTES
 material: Colored metal sheet
 thickness [mm]: 0,6
 sheet width [mm]: 206
 folds: 8
 Lmax [mm] = 6000

ELEMENT_ O519_Jamb flashing



REFERENCE	
COLOUR	
LENGTH	
PIECES	

NOTES
 material: Colored metal sheet
 thickness [mm]: 0,6
 sheet width [mm]: 185
 folds: 8
 Lmax [mm] = 6000

HORIZONTAL INSTALLATION

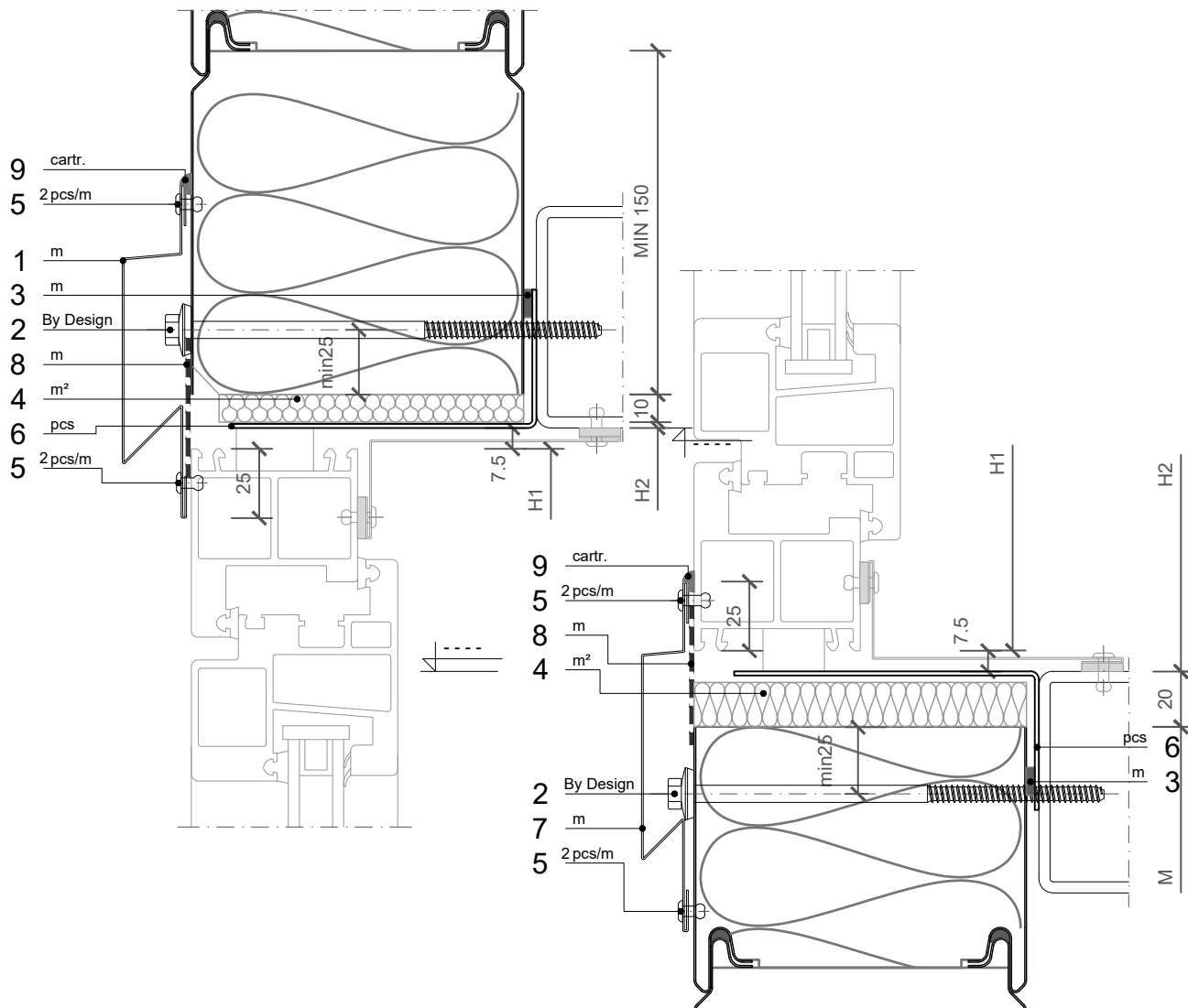
TRIMOTERM FTV

BUILDING APPLICATION

- External Facade
- Internal Wall
- Roof
- External Soffit
- Internal Ceiling
- Backing panel

VERTICAL CUT - HEAD

VERTICAL CUT - SILL



NOTES

- Window installation according project requirement - not Trimo d.o.o. scope
- For thicker panels mechanical treatment is needed for installation
- Detail is suitable also for door frame

POS	CODE	ELEMENT	AMOUNT	UNIT
1	O053	Drip flashing - head	dwg	
2	V130	Fixing screw	By Design	
3	30006985	Self adhesive sealing tape 5x10xL		m
4	30027144	Thermal insulation		m ²
5	K001	Rivet 4xL		pcs
6	N063	Support frame	dwg	
7	O055	Drip flashing - sill		m
8	5012498	Butyl tape on the aluminium foil 1x50xL		m
9	30025810	Mastic sealant		cartr.

SCALE: M 1:2.5

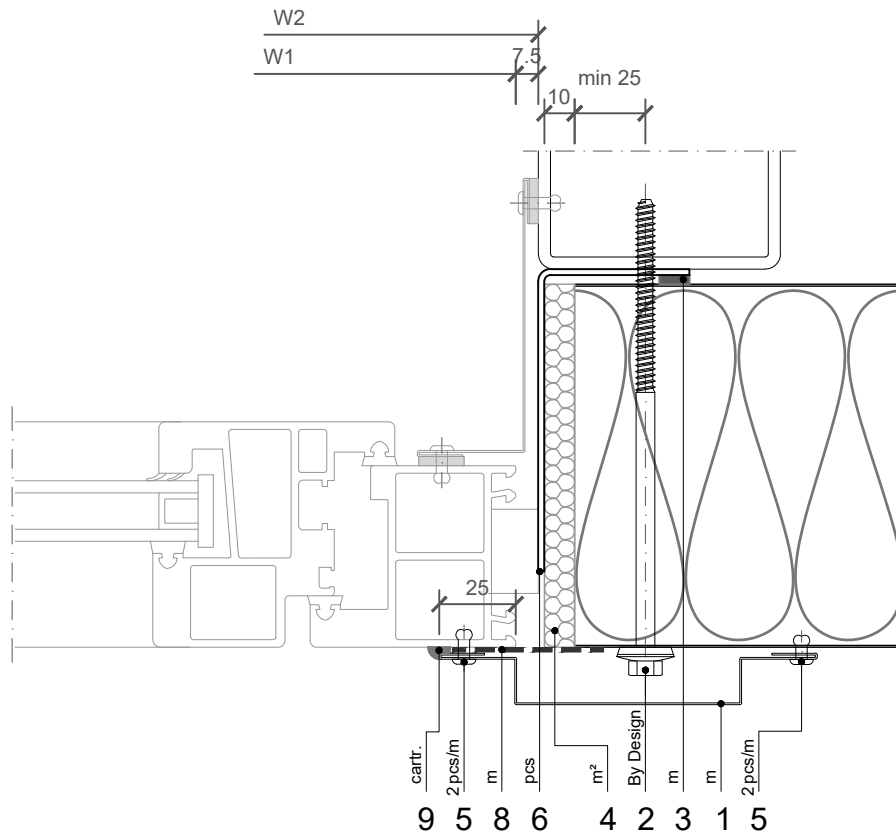
HORIZONTAL INSTALLATION

TRIMOTERM FTV

BUILDING APPLICATION

- External Facade
- Internal Wall
- Roof
- External Soffit
- Internal Ceiling
- Backing panel

HORIZONTAL CUT - JAMB



NOTES

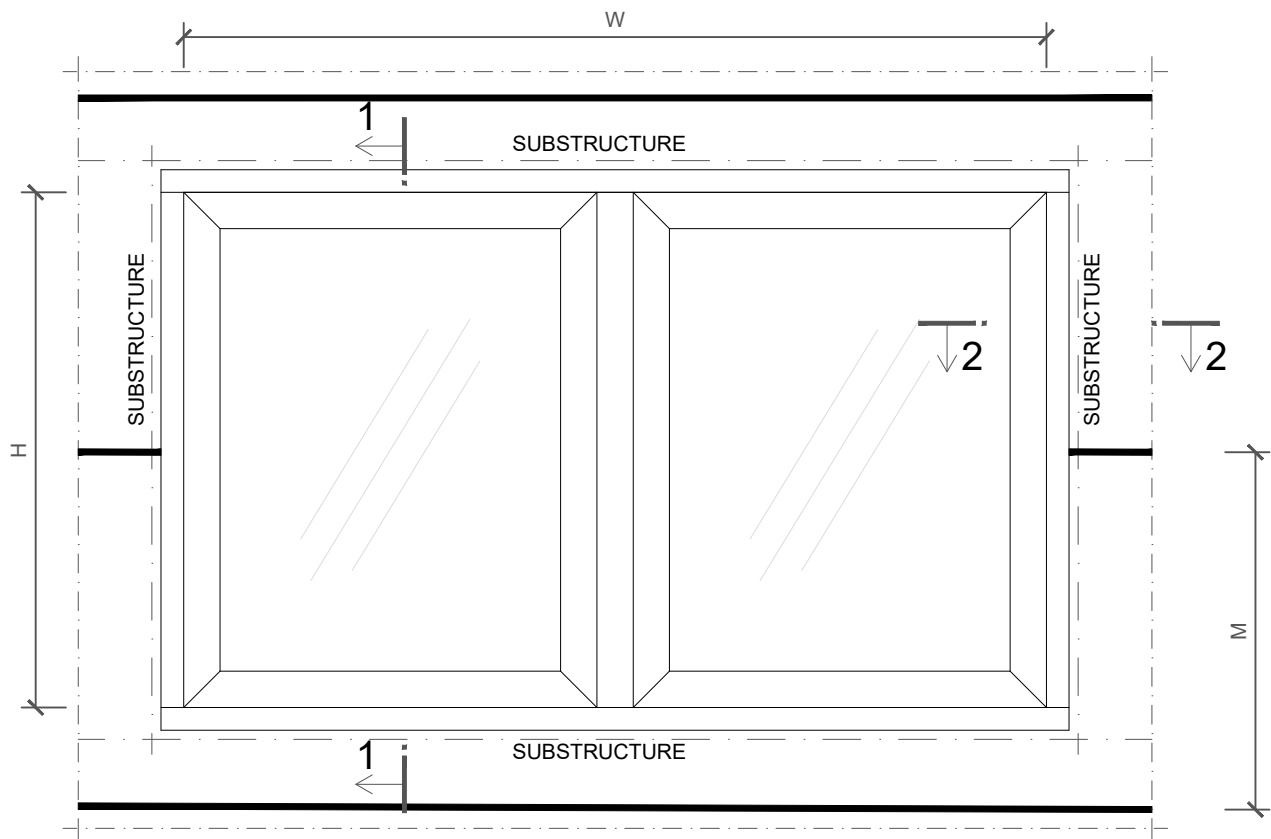
- Apply mastic seal (acc. TE-H-01.01 - ELEMENTS 01)
- Window installation according project requirement - not Trimo d.o.o. scope
- Detail is suitable also for door frame

POS	CODE	ELEMENT	AMOUNT	UNIT
1	O519	Jamb flashing	dwg	
2	V130	Fixing screw	By Design	
3	30006985	Self adhesive sealing tape 5x10xL		m
4	30027144	Thermal insulation		m ²
5	K001	Rivet 4xL		pcs
6	N063	Support frame	dwg	
8	5012498	Butyl tape on the aluminium foil 1x50xL		m
9	30025810	Mastic sealant		cartr.

SCALE: M 1:2.5

WINDOW DIMENSIONS - SCHEMATIC

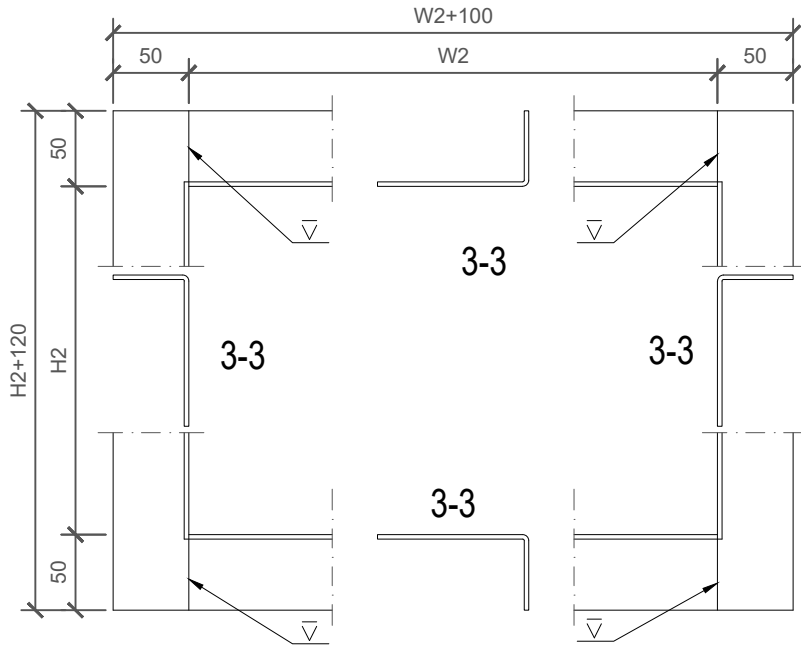
- H ... WINDOW VERTICAL DIMENSIONS
- W ... WINDOW HORIZONTAL DIMENSIONS
- H1, W1 ... WINDOW OPENING DIMENSIONS
- H2, W2 ... WINDOW CLEAR DIMENSIONS
- H2-H1= 15 mm; W2-W1 = 15 mm
- M ... PANEL MODULE
- 1-1 ... VERTICAL CUT
- 2-2 ... HORIZONTAL CUT



NOTE

- Performance of a detail without a substructure is allowed only when Trimo technical department has prepared a prior structural calculation.

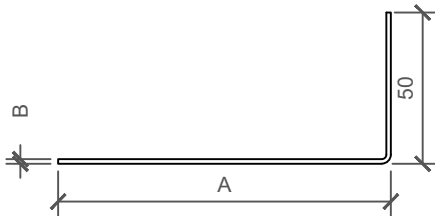
ELEMENT_N063_Support frame



REFERENCE	
H2	
W2	
PIECES	

ELEMENT_N074_Section 3-3

PANEL THICKNESS	50	60	80	100	120	133	150	172	200	240	250
CODE	N0037	N0038	N0039	N0040	N0041	N0042	N0043	N0044	N0045	N0046	N0047
A	40	50	70	90	110	123	140	162	190	230	240
B	1,5	1,5	1,5	1,5	1,5	2	2	2	2	2	2
STEEL SHEET WIDTH	87	97	117	137	157	169	186	208	236	276	286



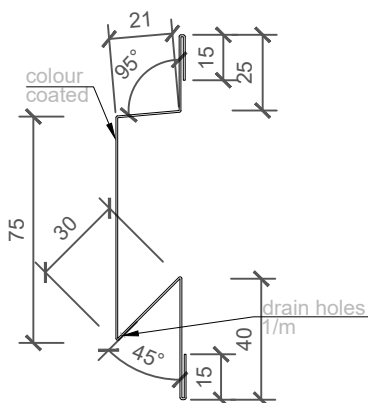
REFERENCE	
LENGTH(W)	
PIECES	

REFERENCE	
LENGTH(H)	
PIECES	

NOTES

material: Zinc - coated metal sheet (B mm)
 L max = 4000 mm
 The weld seam should be protected using a zinc - based paint.
 Dimensions should be verified with structural analyses

ELEMENT_ O053_Drip flashing - head

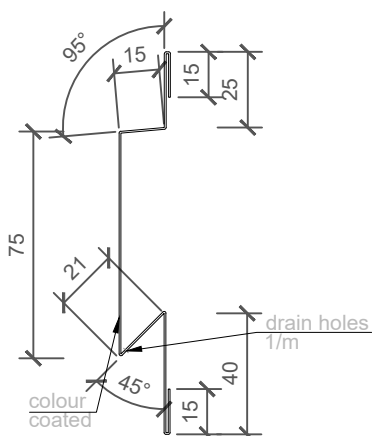


REFERENCE	
COLOUR	
LENGTH	
PIECES	

NOTES

material: Colored metal sheet
 thickness [mm]: 0,6
 sheet width [mm]: 221
 folds: 8
 Lmax [mm] = 6000

ELEMENT_ O055_Drip flashing - sill

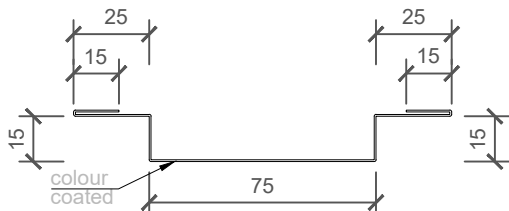


REFERENCE	
COLOUR	
LENGTH	
PIECES	

NOTES

material: Colored metal sheet
 thickness [mm]: 0,6
 sheet width [mm]: 206
 folds: 8
 Lmax [mm] = 6000

ELEMENT_ O519_Jamb flashing



REFERENCE	
COLOUR	
LENGTH	
PIECES	

NOTES

material: Colored metal sheet
 thickness [mm]: 0,6
 sheet width [mm]: 185
 folds: 8
 Lmax [mm] = 6000

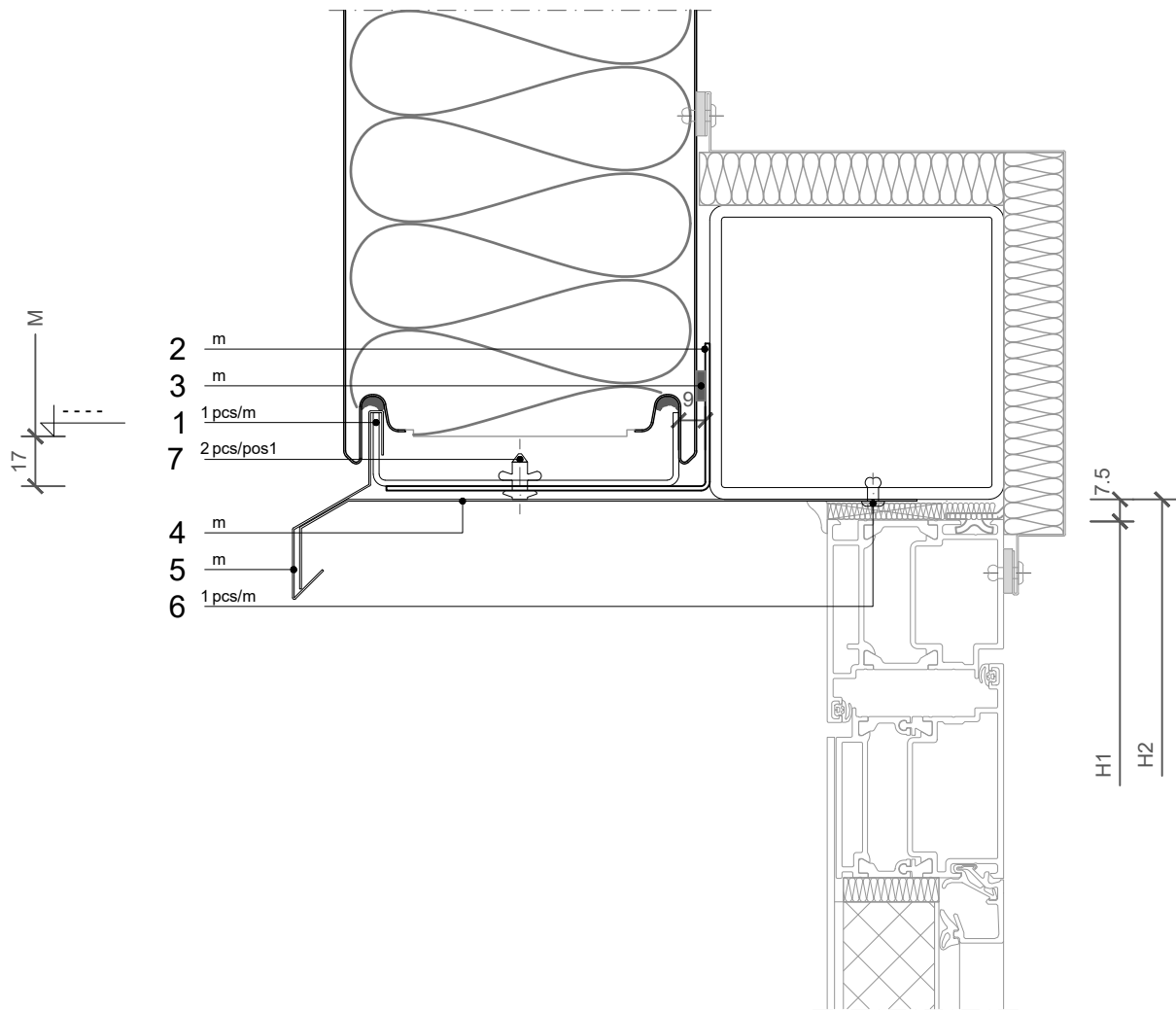
HORIZONTAL INSTALLATION

TRIMOTERM FTV

BUILDING APPLICATION

- External Facade
- Internal Wall
- Roof
- External Soffit
- Internal Ceiling
- Backing panel

VERTICAL CUT - HEAD



NOTES

- Door installation according project requirement - not Trimo d.o.o. scope

POS	CODE	ELEMENT	AMOUNT	UNIT
1	N005	Panel support profile	dwg	
2	N074	Support profile	dwg	
3	30006985	Self adhesive sealing tape 5x10xL		m
4	O1739	Drip flashing mask	dwg	
5	O103	Drip flashing	dwg	
6	K001	Rivet 4xL		pcs
7	K011	Bulb tite rivet 5,2xL		pcs

SCALE: M 1:2.5

DOOR 01

Trimo Group holds full copyrights on the information and details provided on this media, therefore any unauthorized reproduction and distribution is strictly prohibited.

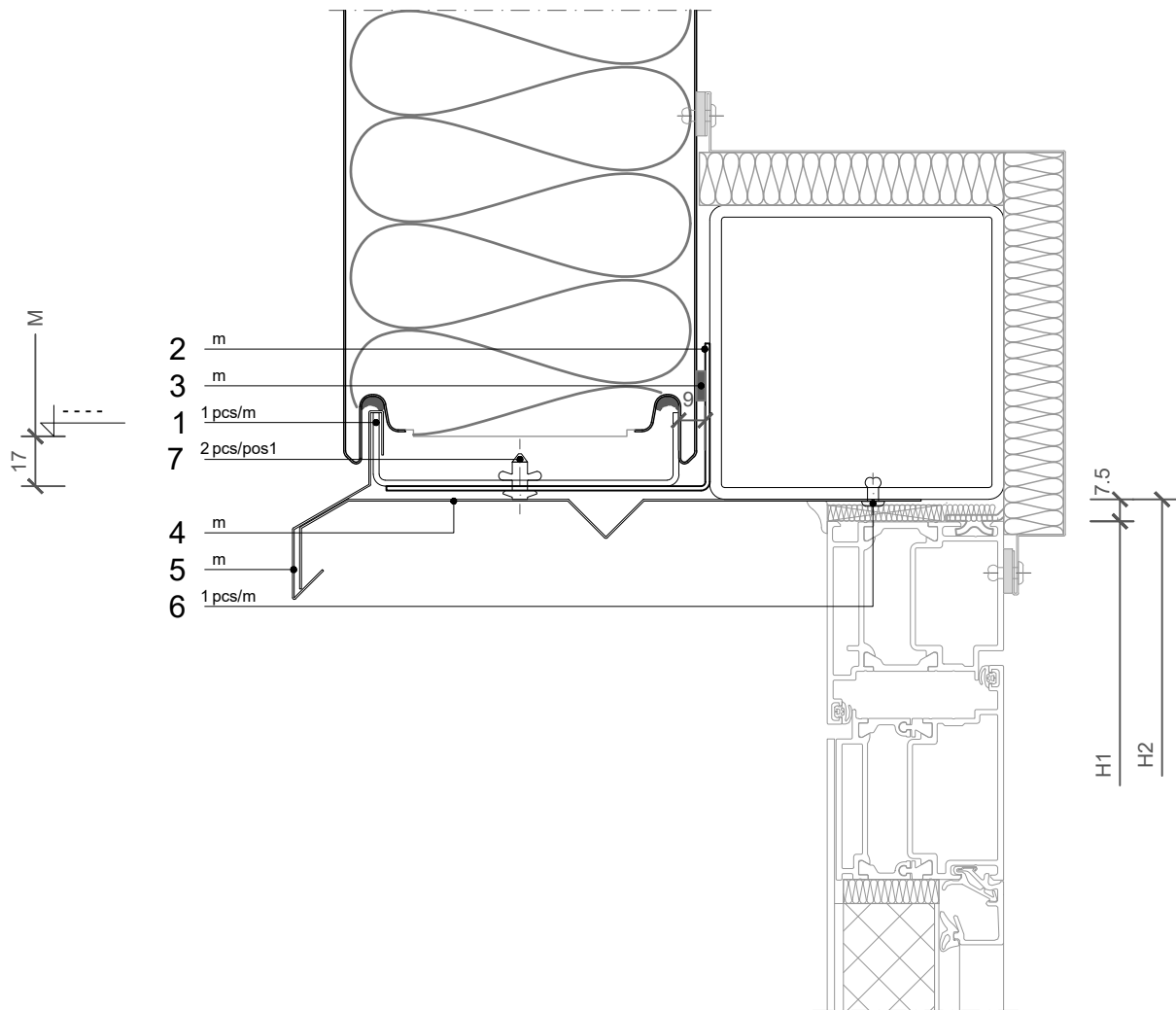
HORIZONTAL INSTALLATION

TRIMOTERM FTV

BUILDING APPLICATION

- External Facade
- Internal Wall
- Roof
- External Soffit
- Internal Ceiling
- Backing panel

VERTICAL CUT - HEAD



NOTES

- Door installation according project requirement - not Trimo d.o.o. scope

POS	CODE	ELEMENT	AMOUNT	UNIT
1	N005	Panel support profile	dwg	
2	N074	Support profile	dwg	
3	30006985	Self adhesive sealing tape 5x10xL		m
4	O1744	Drip flashing mask	dwg	
5	O103	Drip flashing	dwg	
6	K001	Rivet 4xL		pcs
7	K011	Bulb tite rivet 5,2xL		pcs

SCALE: M 1:2.5

DOOR 02

Trimo Group holds full copyrights on the information and details provided on this media, therefore any unauthorized reproduction and distribution is strictly prohibited.

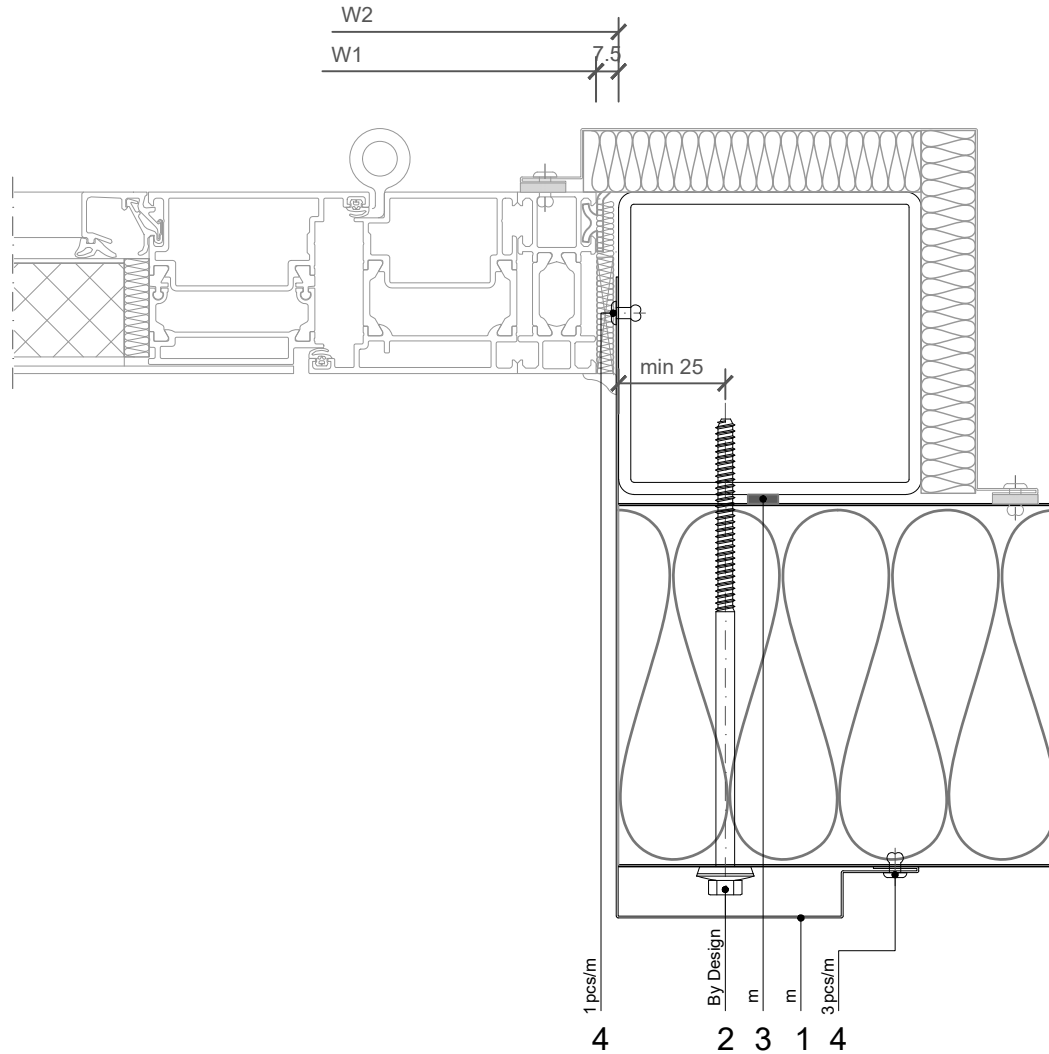
HORIZONTAL INSTALLATION

TRIMOTERM FTV

BUILDING APPLICATION

- External Facade
- Internal Wall
- Roof
- External Soffit
- Internal Ceiling
- Backing panel

HORIZONTAL CUT - JAMB



NOTES

- Apply mastic seal (acc. TE-H-01.01 - ELEMENTS 01)
- Door installation according project requirement - not Trimo d.o.o. scope

POS	CODE	ELEMENT	AMOUNT	UNIT
1	O549	Jamb flashing	dwg	
2	V130	Fixing screw	By Design	
3	30006985	Self adhesive sealing tape 5x10xL		m
4	K001	Rivet 4xL		pcs

SCALE: M 1:2.5

DOOR 03

Trimo Group holds full copyrights on the information and details provided on this media, therefore any unauthorized reproduction and distribution is strictly prohibited.

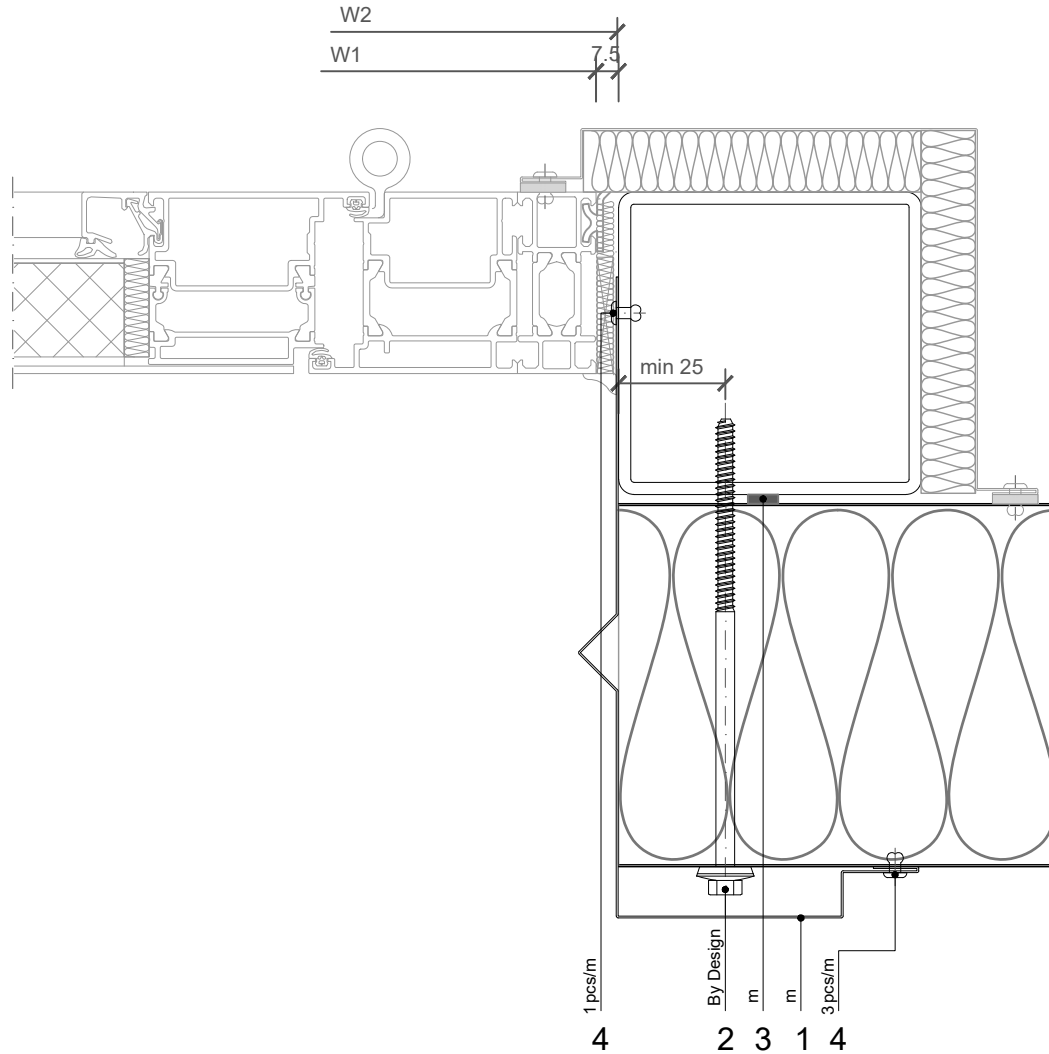
HORIZONTAL INSTALLATION

TRIMOTERM FTV

BUILDING APPLICATION

- External Facade
- Internal Wall
- Roof
- External Soffit
- Internal Ceiling
- Backing panel

HORIZONTAL CUT - JAMB



NOTES

- Apply mastic seal (acc. **TE-H-01.01 - ELEMENTS 01**)
- Door installation according project requirement - not Trimo d.o.o. scope

POS	CODE	ELEMENT	AMOUNT	UNIT
1	O1734	Jamb flashing	dwg	
2	V130	Fixing screw	By Design	
3	30006985	Self adhesive sealing tape 5x10xL		m
4	K001	Rivet 4xL		pcs

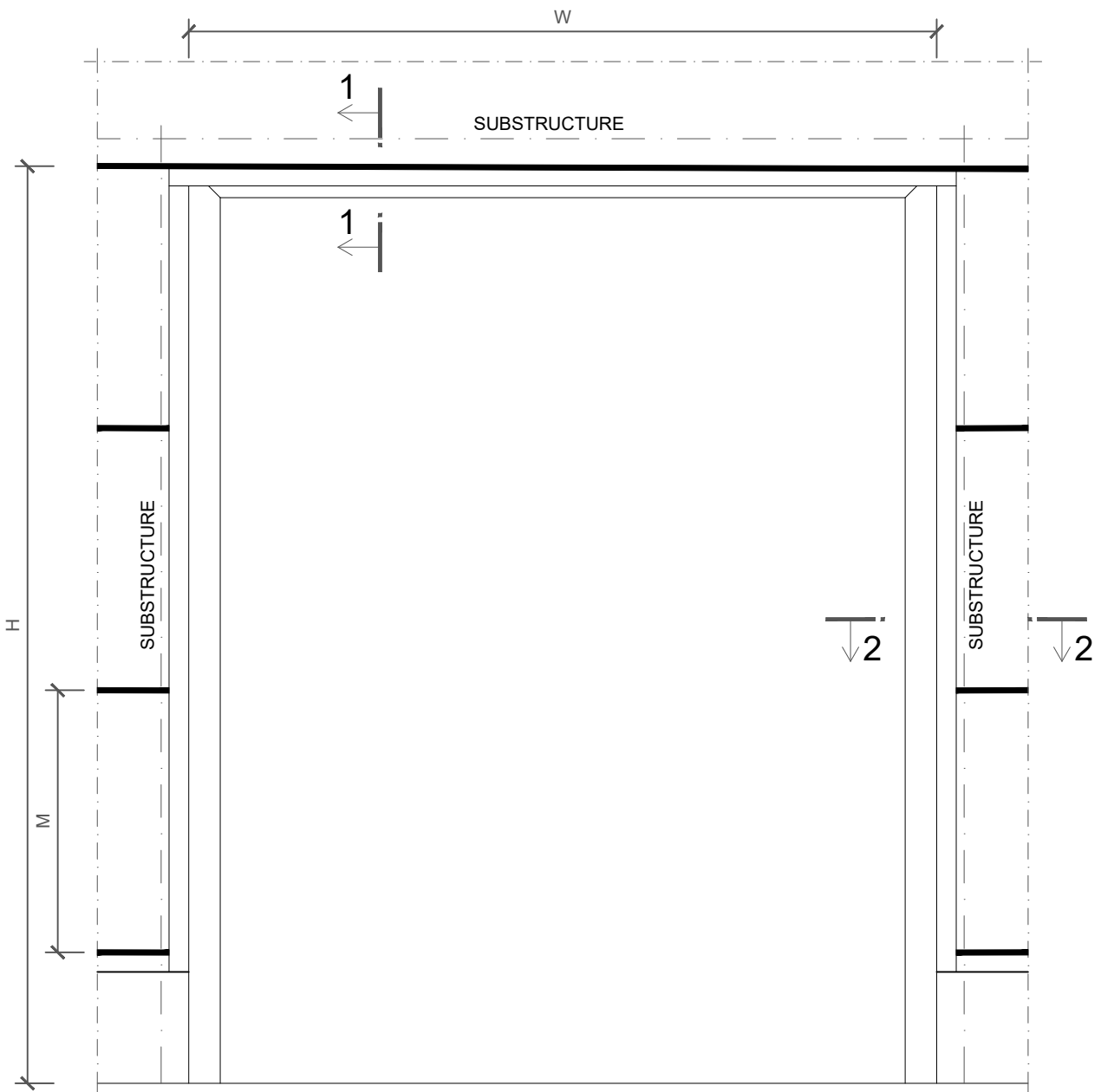
SCALE: M 1:2.5

DOOR 04

Trimo Group holds full copyrights on the information and details provided on this media, therefore any unauthorized reproduction and distribution is strictly prohibited.

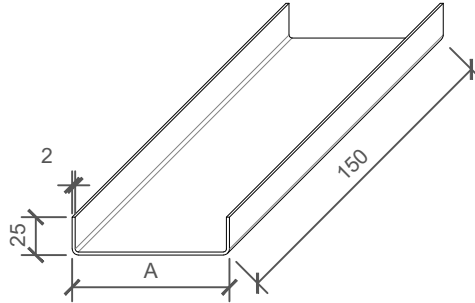
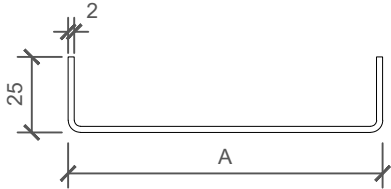
DOOR DIMENSIONS - SCHEMATIC

- H ... DOOR VERTICAL DIMENSIONS
- W ... DOOR HORIZONTAL DIMENSIONS
- H1, W1 ... DOOR OPENING DIMENSIONS
- H2, W2 ... DOOR CLEAR DIMENSIONS
- H2-H1= 7.5 mm; W2-W1 = 15 mm
- M ... PANEL MODULE
- 1-1 ... VERTICAL CUT
- 2-2 ... HORIZONTAL CUT



ELEMENT_ N005_Panel support profile

PANEL THICKNESS	50	60	80	100	120	133	150	172	200	240	250
CODE	N0001	N0002	N0003	N0004	N0005	N0006	N0007	N0008	N0009	N0010	N0011
A	34	44	64	84	104	117	134	156	184	224	234
STEEL SHEET WIDTH	76	86	106	126	146	159	176	198	226	266	276



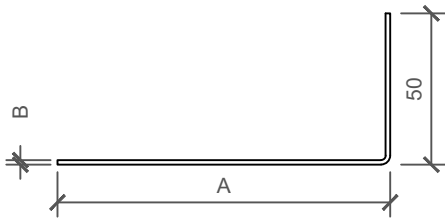
REFERENCE	
A	0
SHEET WIDTH	42
PIECES	

NOTES

material: Zinc - coated metal sheet
 thickness [mm]: 2
 sheet width [mm]: 42+A
 folds: 2
 L [mm] = 150

ELEMENT_ N074_Support profile

PANEL THICKNESS	50	60	80	100	120	133	150	172	200	240	250
CODE	N0037	N0038	N0039	N0040	N0041	N0042	N0043	N0044	N0045	N0046	N0047
A	40	50	70	90	110	123	140	162	190	230	240
B	1,5	1,5	1,5	1,5	1,5	2	2	2	2	2	2
STEEL SHEET WIDTH	87	97	117	137	157	169	186	208	236	276	286

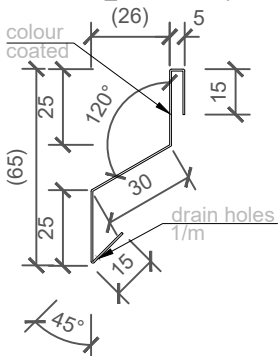


REFERENCE	
LENGTH	
PIECES	

NOTES

material: Zinc - coated metal sheet (B mm)
 L max = 4000 mm
 The weld seam should be protected using a zinc - based paint.
 Dimensions should be verified with structural analyses

ELEMENT_ O103_Drip flashing

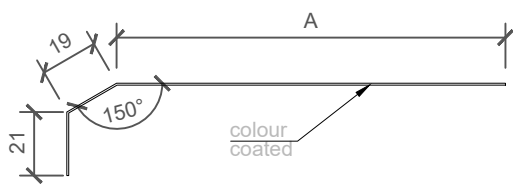


REFERENCE	
COLOUR	
LENGTH	
PIECES	

NOTES

material: Colored metal sheet
 thickness [mm]: 0,6
 sheet width [mm]: 115
 folds: 5
 Lmax [mm] = 6000

ELEMENT_O1739_Drip flashing mask

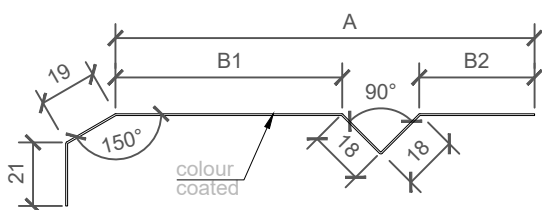


REFERENCE	
COLOUR	
A	0
SHEET WIDTH	40
LENGTH	
PIECES	

NOTES

material: Colored metal sheet
 thickness [mm]: 0,6
 sheet width [mm]: A+40
 folds: 2
 Lmax [mm] = 6000
 A<200 mm

ELEMENT_O1744_Drip flashing mask

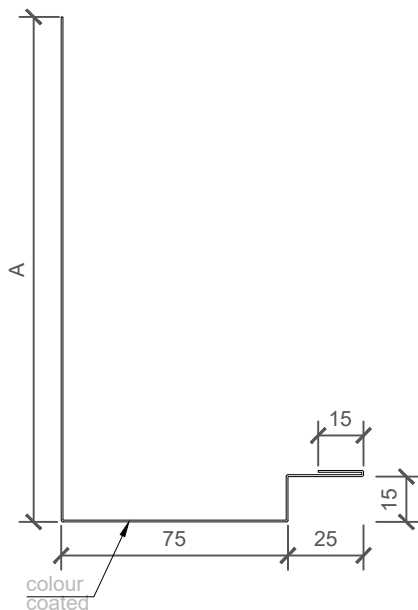


REFERENCE	
COLOUR	
A	
B1	
B2	0
SHEET WIDTH	50
LENGTH	
PIECES	

NOTES

material: Colored metal sheet
 thickness [mm]: 0,6
 sheet width [mm]: A+50
 folds: 5
 Lmax [mm] = 6000
 A>200 mm

ELEMENT_O549_Jamb flashing

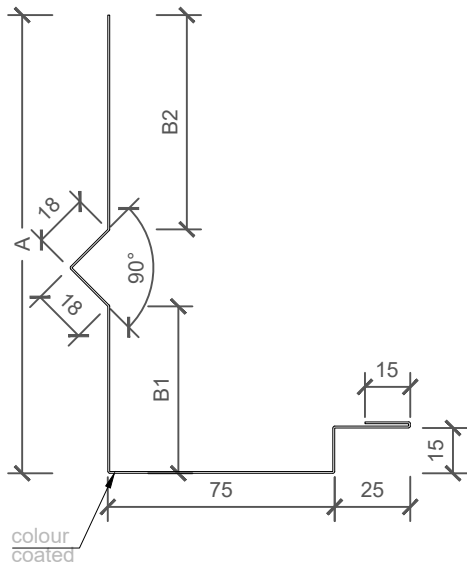


REFERENCE	
COLOUR	
A	0
SHEET WIDTH	130
LENGTH	
PIECES	

NOTES

material: Colored metal sheet
 thickness [mm]: 0,6
 sheet width [mm]: A+130
 folds: 5
 Lmax [mm] = 6000
 A<200 mm

ELEMENT_ O1734_Jamb flashing



REFERENCE	
COLOUR	
A	0
B1	
B2	
SHEET WIDTH	140
LENGTH	
PIECES	

NOTES

material: Colored metal sheet
 thickness [mm]: 0,6
 sheet width [mm]: A+140
 folds: 8
 Lmax [mm] = 6000
 A>200 mm

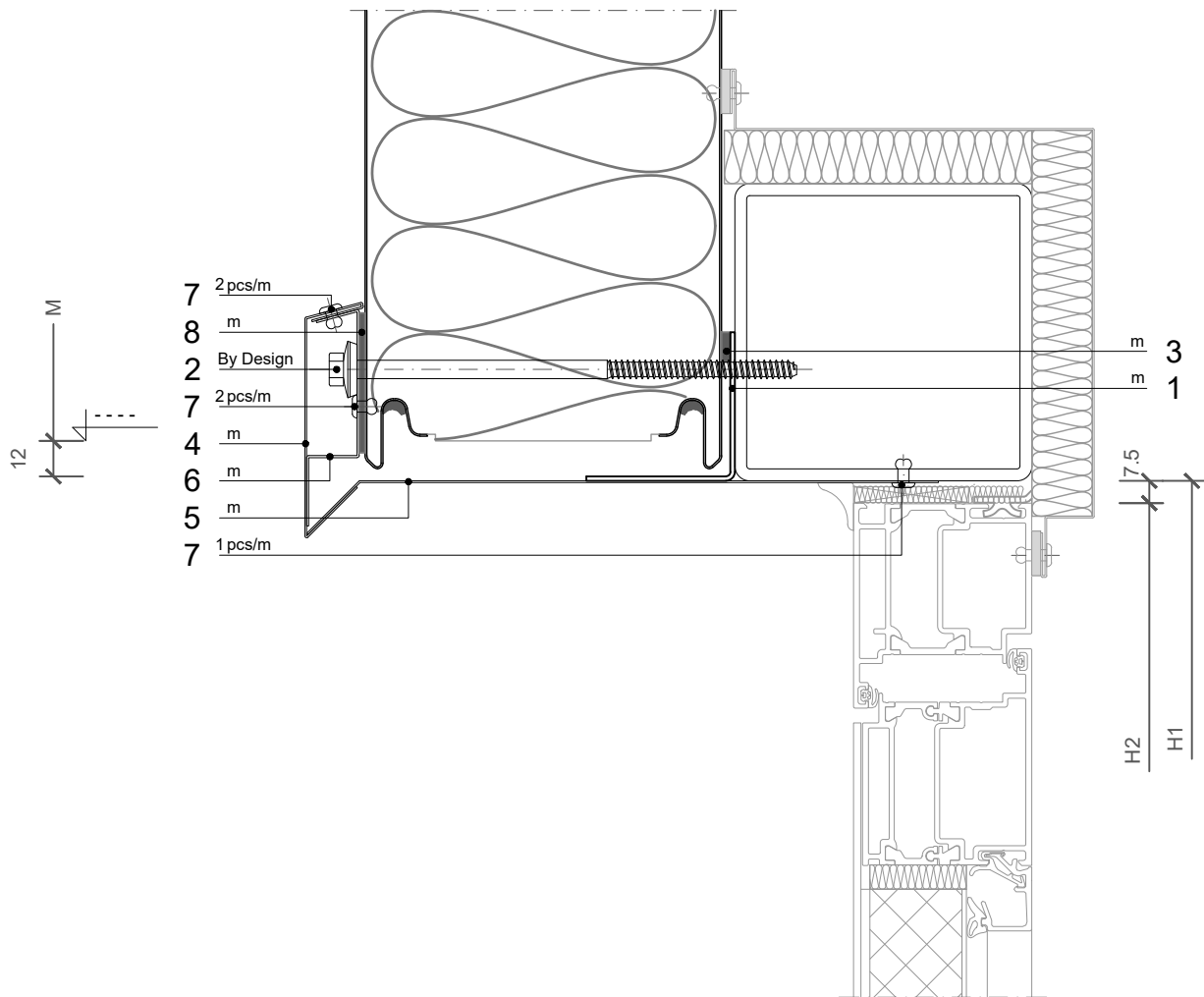
HORIZONTAL INSTALLATION

TRIMOTERM FTV

BUILDING APPLICATION

- External Facade
- Internal Wall
- Roof
- External Soffit
- Internal Ceiling
- Backing panel

VERTICAL CUT - HEAD



NOTES

- Door installation according project requirement - not Trimo d.o.o. scope

POS	CODE	ELEMENT	AMOUNT	UNIT
1	N068	Support profile	dwg	
2	V130	Fixing screw	By Design	
3	30006985	Self adhesive sealing tape 5x10xL		m
4	O076	Drip flashing mask	dwg	
5	O1741	Drip flashing - head	dwg	
6	O078	Drip Flashing support	dwg	
7	K001	Rivet 4xL		pcs
8	5012487	Self adhesive sealing tape EPDM 2x47x100 (under the fixing)		m

SCALE: M 1:2.5

DOOR 01

Trimo Group holds full copyrights on the information and details provided on this media, therefore any unauthorized reproduction and distribution is strictly prohibited.

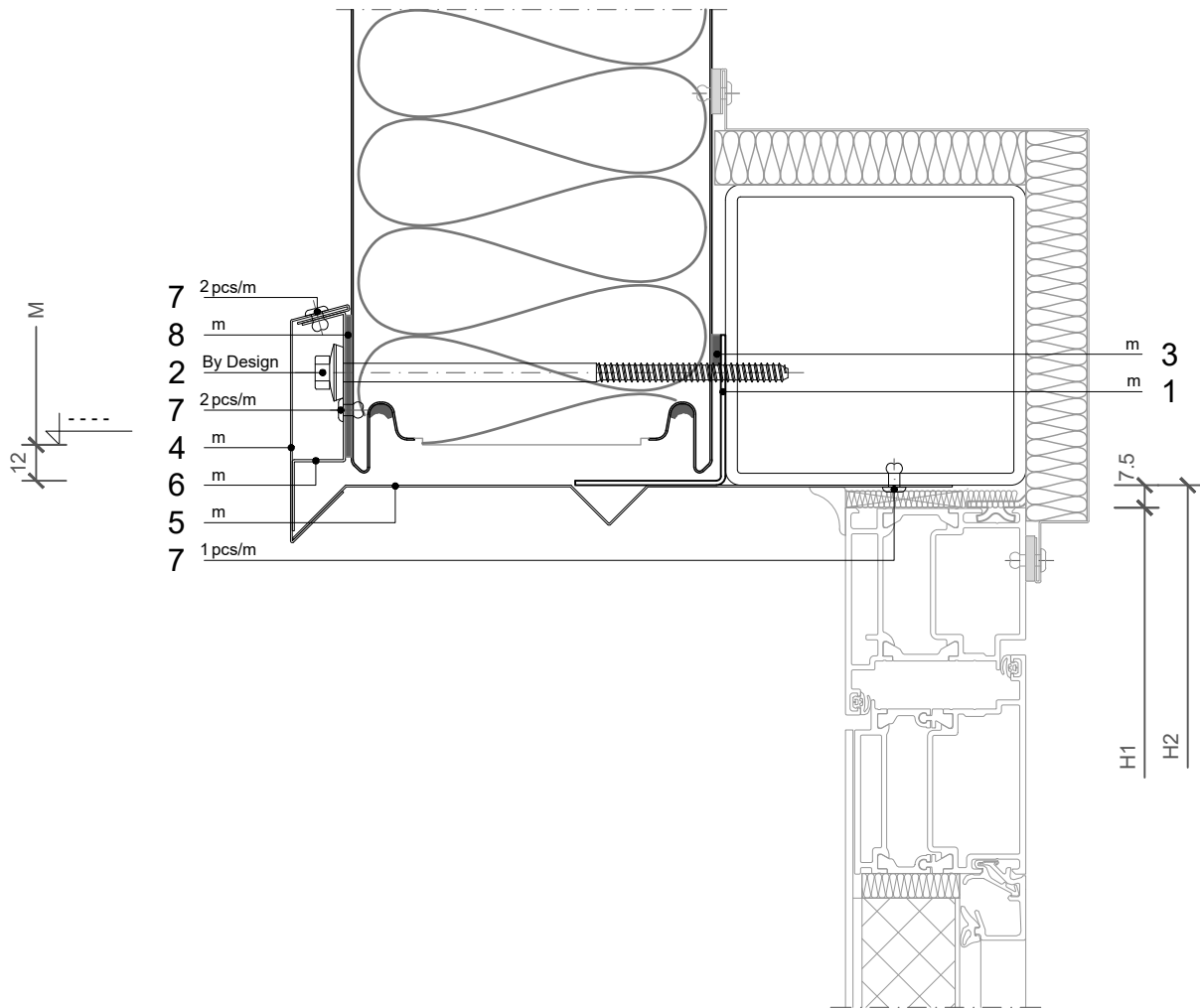
HORIZONTAL INSTALLATION

TRIMOTERM FTV

BUILDING APPLICATION

- External Facade
- Internal Wall
- Roof
- External Soffit
- Internal Ceiling
- Backing panel

VERTICAL CUT - HEAD



NOTES

- Door installation according project requirement - not Trimo d.o.o. scope

POS	CODE	ELEMENT	AMOUNT	UNIT
1	N068	Support profile	dwg	
2	V130	Fixing screw	By Design	
3	30006985	Self adhesive sealing tape 5x10xL		m
4	O076	Drip flashing mask	dwg	
5	O1746	Drip flashing - head	dwg	
6	O078	Drip Flashing support	dwg	
7	K001	Rivet 4xL		pcs
8	5012487	Self adhesive sealing tape EPDM 2x47x100 (under the fixing)		m

SCALE: M 1:2.5

DOOR 02

Trimo Group holds full copyrights on the information and details provided on this media, therefore any unauthorized reproduction and distribution is strictly prohibited.

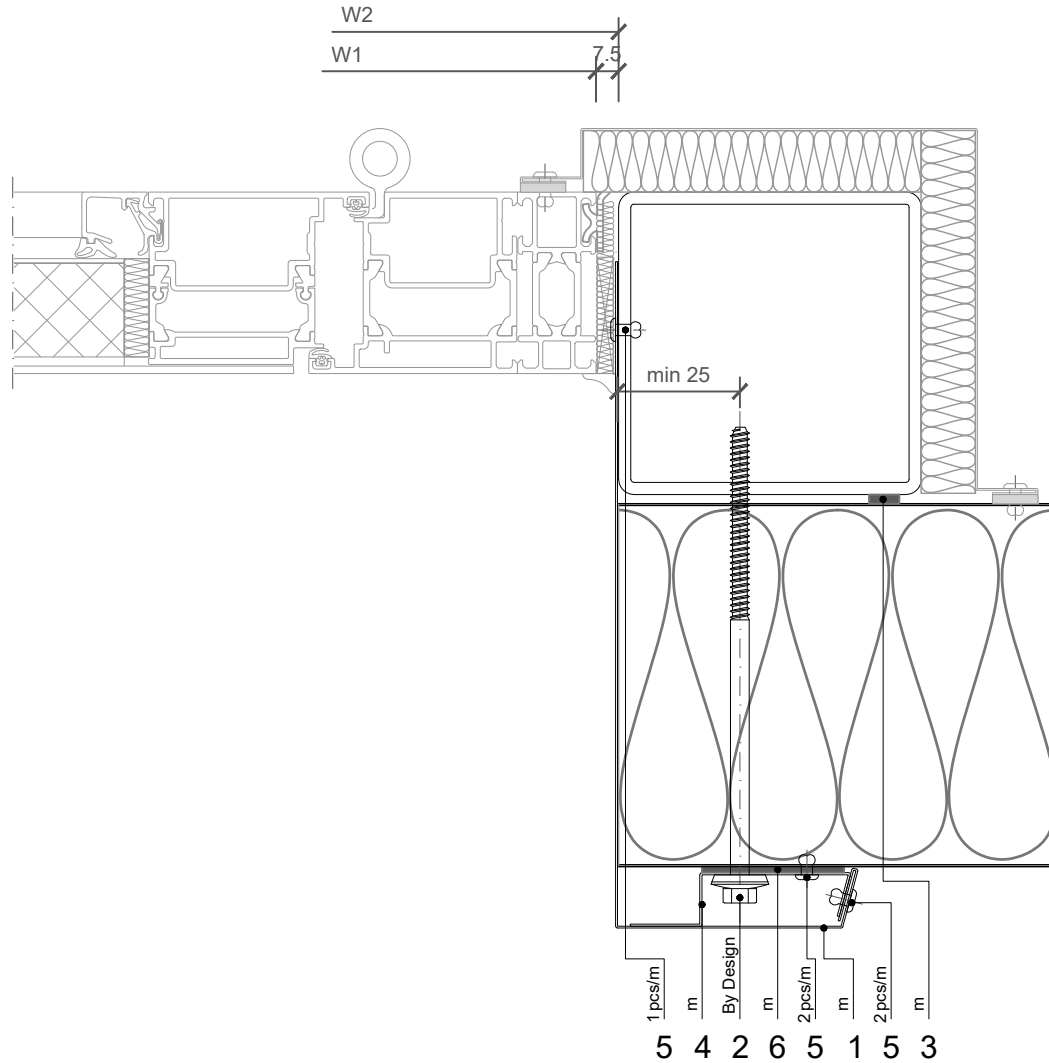
HORIZONTAL INSTALLATION

TRIMOTERM FTV

BUILDING APPLICATION

- External Facade
- Internal Wall
- Roof
- External Soffit
- Internal Ceiling
- Backing panel

HORIZONTAL CUT - JAMB



NOTES

- Apply mastic seal (acc. TE-H-01.01 - ELEMENTS 01)
- Door installation according project requirement - not Trimo d.o.o. scope

POS	CODE	ELEMENT	AMOUNT	UNIT
1	O545	Jamb flashing	dwg	
2	V130	Fixing screw	By Design	
3	30006985	Self adhesive sealing tape 5x10xL		m
4	O078	Flashing support	dwg	
5	K001	Rivet 4xL		pcs
6	5012487	Self adhesive sealing tape EPDM 2x47x100 (under the fixing)		m

SCALE: M 1:2.5

DOOR 03

Trimo Group holds full copyrights on the information and details provided on this media, therefore any unauthorized reproduction and distribution is strictly prohibited.

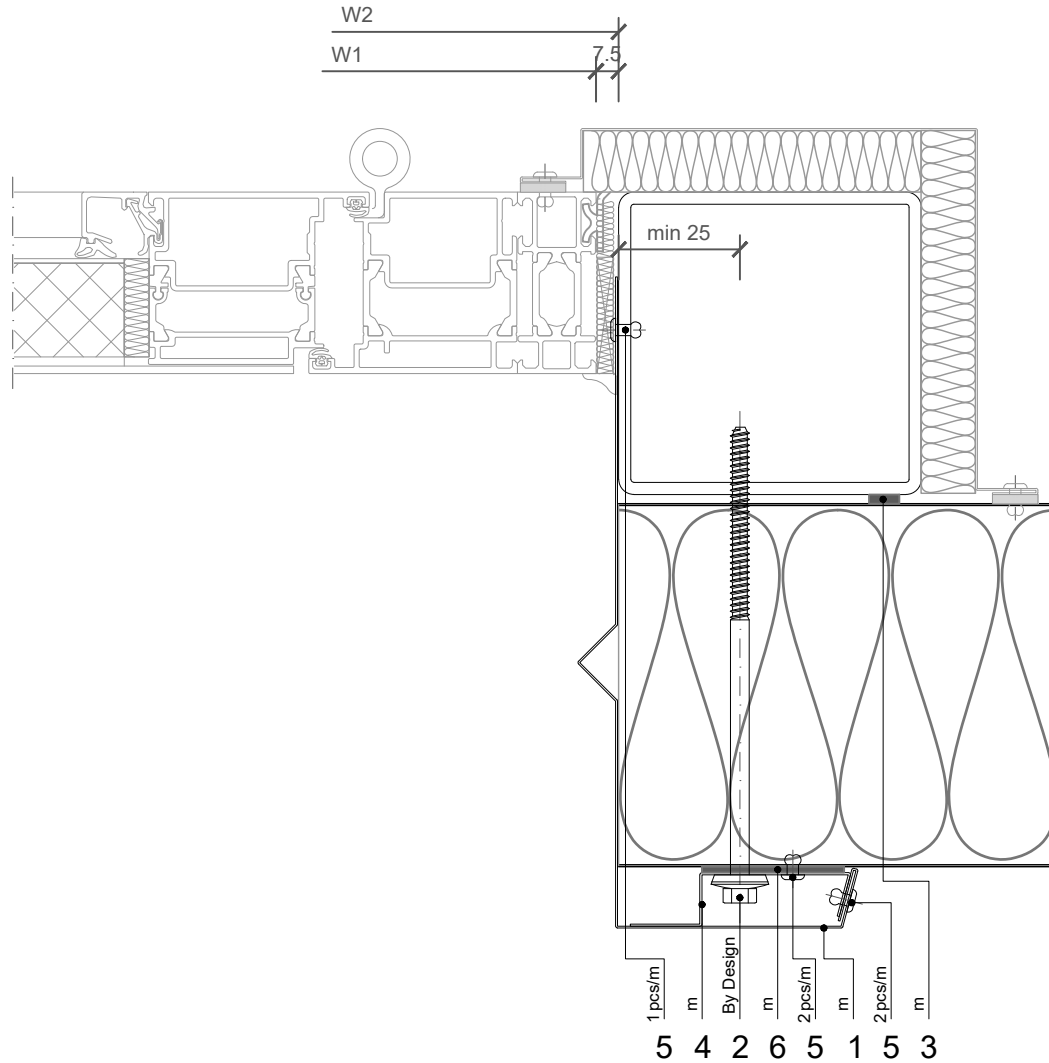
HORIZONTAL INSTALLATION

TRIMOTERM FTV

BUILDING APPLICATION

- External Facade
- Internal Wall
- Roof
- External Soffit
- Internal Ceiling
- Backing panel

HORIZONTAL CUT - JAMB



NOTES

- Apply mastic seal (acc. TE-H-01.01 - ELEMENTS 01)
- Door installation according project requirement - not Trimo d.o.o. scope

POS	CODE	ELEMENT	AMOUNT	UNIT
1	O1736	Jamb flashing	dwg	
2	V130	Fixing screw	By Design	
3	30006985	Self adhesive sealing tape 5x10xL		m
4	O078	Flashing support	dwg	
5	K001	Rivet 4xL		pcs
6	5012487	Self adhesive sealing tape EPDM 2x47x100 (under the fixing)		m

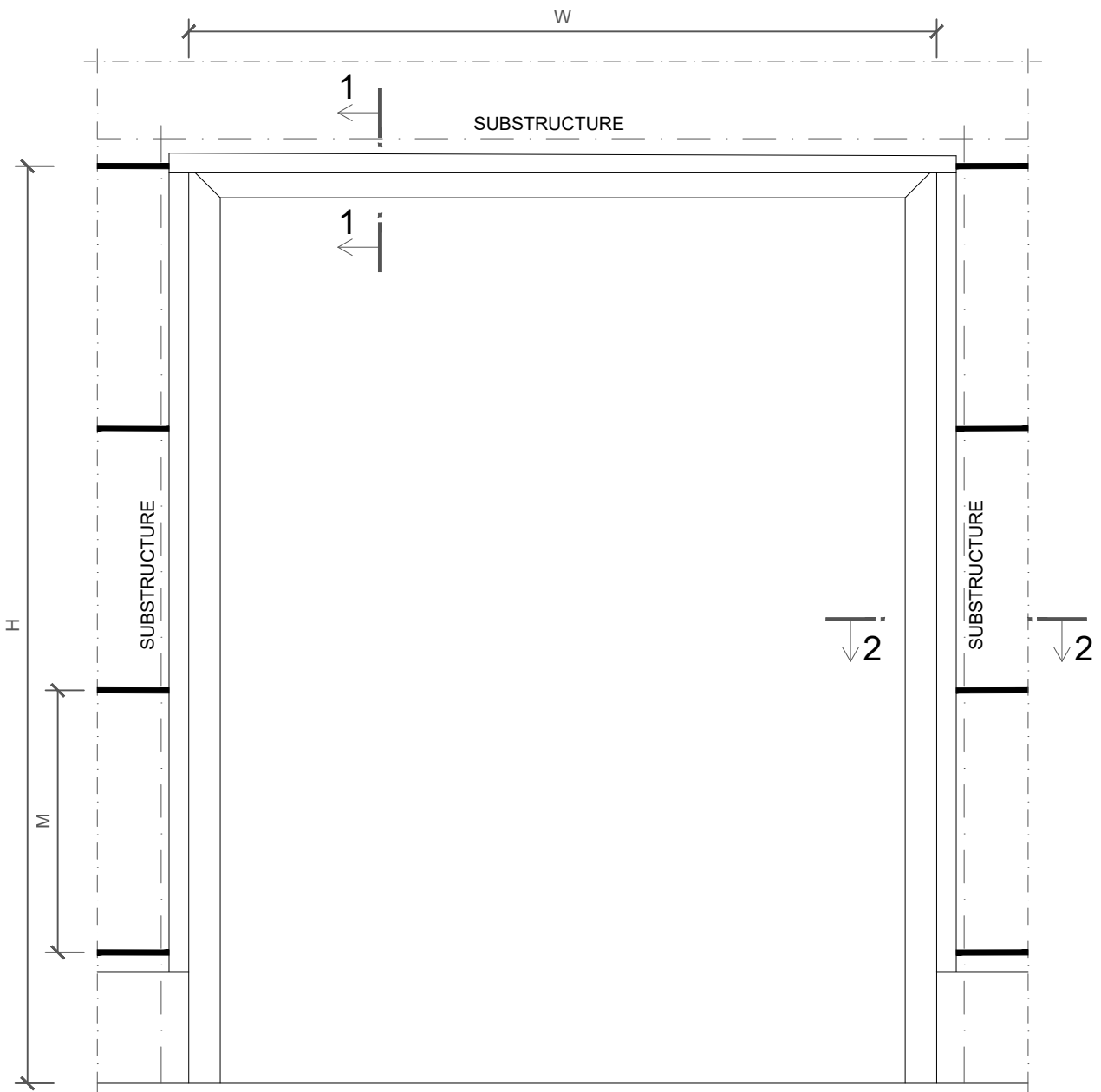
SCALE: M 1:2.5

DOOR 04

Trimo Group holds full copyrights on the information and details provided on this media, therefore any unauthorized reproduction and distribution is strictly prohibited.

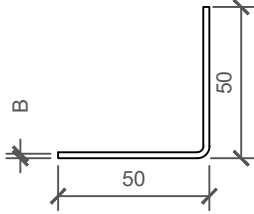
DOOR DIMENSIONS - SCHEMATIC

- H ... DOOR VERTICAL DIMENSIONS
- W ... DOOR HORIZONTAL DIMENSIONS
- H1, W1 ... DOOR OPENING DIMENSIONS
- H2, W2 ... DOOR CLEAR DIMENSIONS
- H2-H1= 7.5 mm; W2-W1 = 15 mm
- M ... PANEL MODULE
- 1-1 ... VERTICAL CUT
- 2-2 ... HORIZONTAL CUT



ELEMENT_ N068_Support profile

PANEL THICKNESS	50	60	80	100	120	133	150	172	200	240	250
CODE	N0073	N0073	N0073	N0073	N0073	N0074	N0074	N0074	N0074	N0074	N0074
B	1,5	1,5	1,5	1,5	1,5	2	2	2	2	2	2
STEEL SHEET WIDTH	97	97	97	97	97	96	96	96	96	96	96

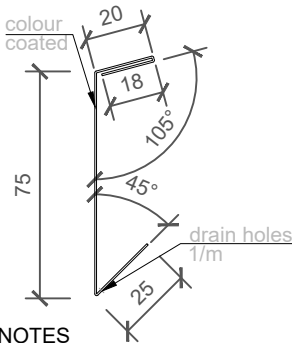


REFERENCE	
LENGTH	
PIECES	

NOTES

material: Zinc - coated metal sheet (B mm)
 L max = 4000 mm
 The weld seam should be protected using a zinc - based paint.
 Dimensions should be verified with structural analyses

ELEMENT_ O076_Drip flashing mask

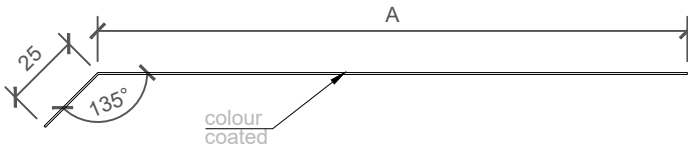


REFERENCE	
COLOUR	
LENGTH	
PIECES	

NOTES

material: Colored metal sheet
 thickness [mm]: 0,6
 sheet width [mm]: 138
 folds: 4
 Lmax [mm] = 6000

ELEMENT_ O1741_Drip flashing - head

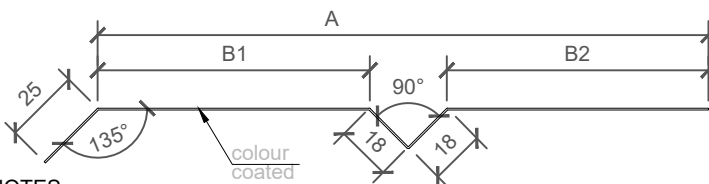


REFERENCE	
COLOUR	
A	0
SHEET WIDTH	25
LENGTH	
PIECES	

NOTES

material: Colored metal sheet
 thickness [mm]: 0,6
 sheet width [mm]: A+25
 folds: 1
 Lmax [mm] = 6000
 A < 200 mm

ELEMENT_ O1746_Drip flashing - head

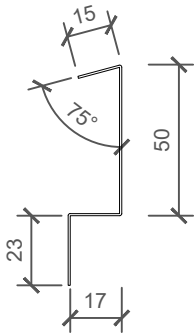


REFERENCE	
COLOUR	
A	0
B1	
B2	
SHEET WIDTH	35
LENGTH	
PIECES	

NOTES

material: Colored metal sheet
 thickness [mm]: 0,6
 sheet width [mm]: A+35
 folds: 4
 Lmax [mm] = 6000
 A > 200 mm

ELEMENT_ O078_Flashing support

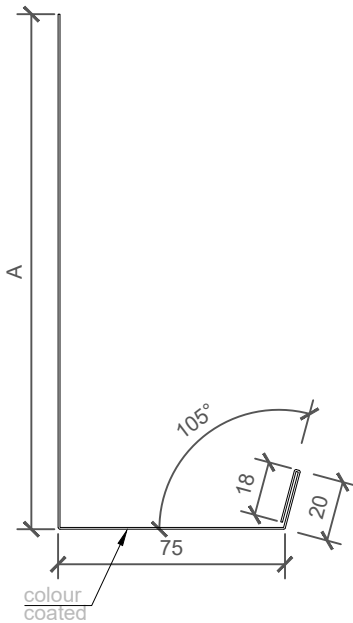


REFERENCE	
LENGTH	
PIECES	

NOTES

material: Galvanized metal sheet
 thickness [mm]: 0,7
 sheet width [mm]: 105
 folds: 3
 Lmax [mm] = 6000

ELEMENT_ O545_Jamb flashing

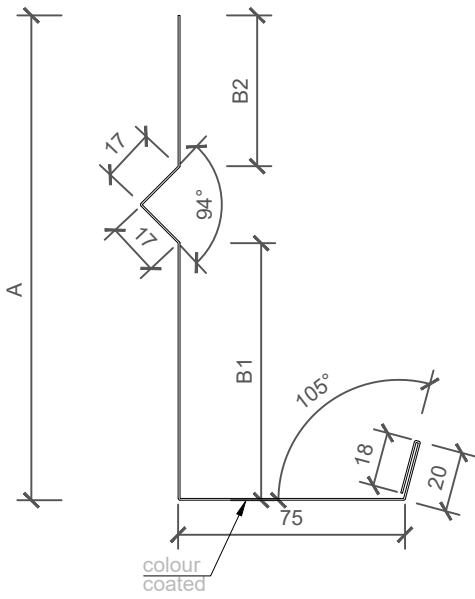


REFERENCE	
COLOUR	
A	0
SHEET WIDTH	113
LENGTH	
PIECES	

NOTES

material: Colored metal sheet
 thickness [mm]: 0,6
 sheet width [mm]: A+113
 folds: 4
 Lmax [mm] = 6000
 A<200 mm

ELEMENT_O1736_Jamb flashing



REFERENCE	
COLOUR	
A	0
B1	
B2	
SHEET WIDTH	123
LENGTH	
PIECES	

NOTES
 material: Colored metal sheet
 thickness [mm]: 0,6
 sheet width [mm]: A+123
 folds: 7
 Lmax [mm] = 6000
 A>200 mm

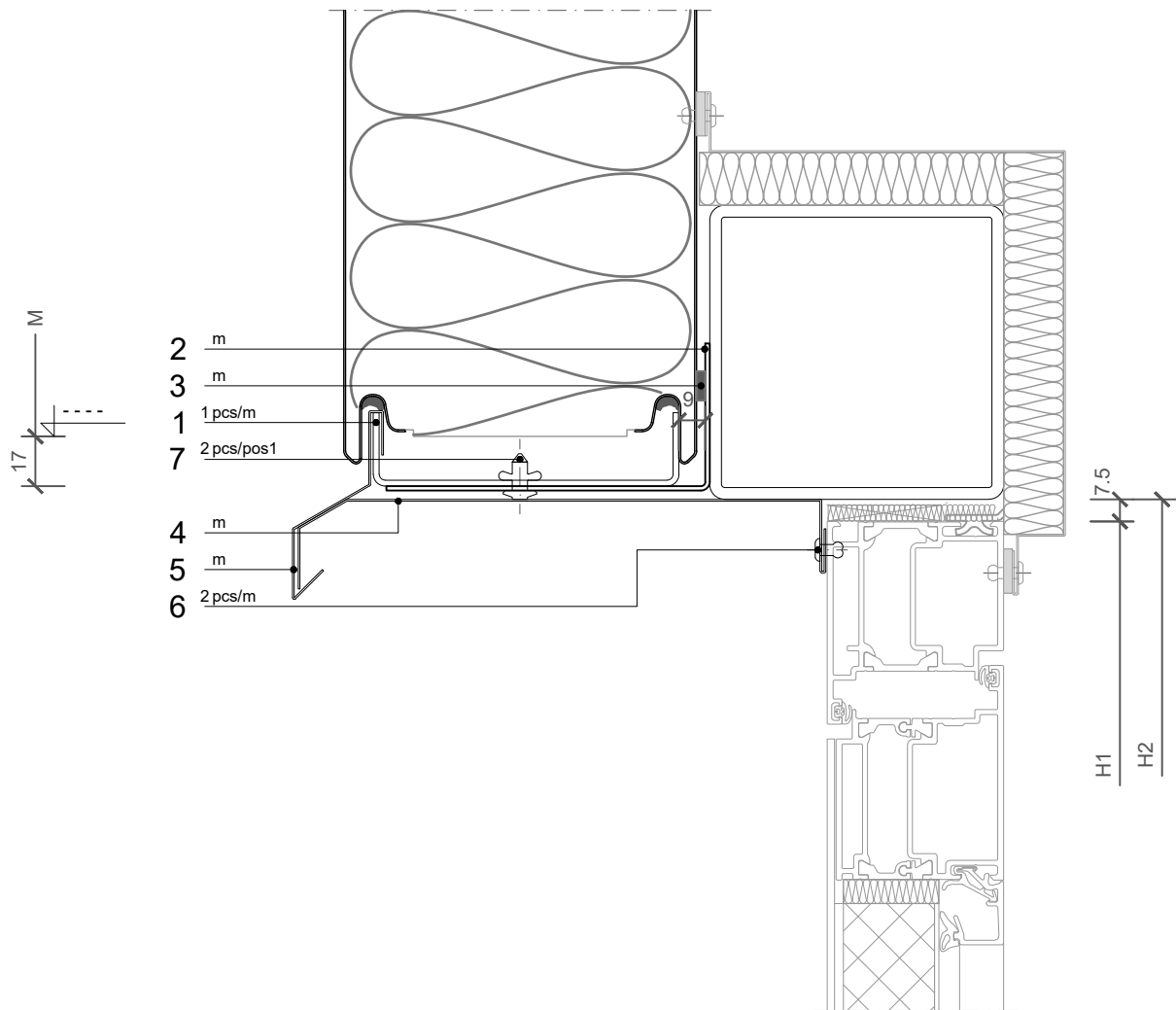
HORIZONTAL INSTALLATION

TRIMOTERM FTV

BUILDING APPLICATION

- External Facade
- Internal Wall
- Roof
- External Soffit
- Internal Ceiling
- Backing panel

VERTICAL CUT - HEAD



NOTES

- Door installation according project requirement - not Trimo d.o.o. scope

POS	CODE	ELEMENT	AMOUNT	UNIT
1	N005	Panel support profile	dwg	
2	N074	Support profile	dwg	
3	30006985	Self adhesive sealing tape 5x10xL		m
4	O1740	Drip flashing mask	dwg	
5	O103	Drip flashing	dwg	
6	K001	Rivet 4xL		pcs
7	K011	Bulb tite rivet 5,2xL		pcs

SCALE: M 1:2.5

DOOR 01

Trimo Group holds full copyrights on the information and details provided on this media, therefore any unauthorized reproduction and distribution is strictly prohibited.

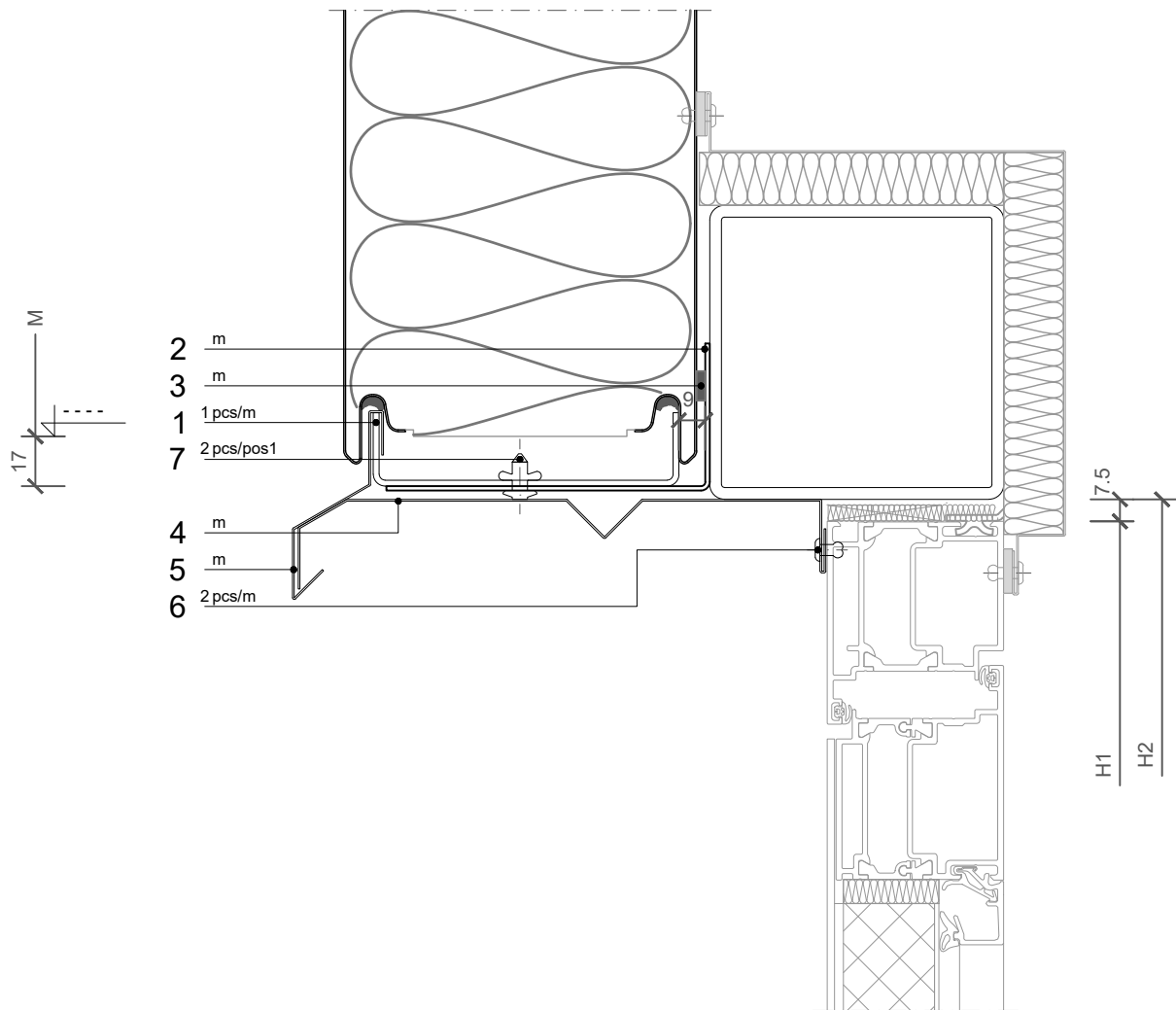
HORIZONTAL INSTALLATION

TRIMOTERM FTV

BUILDING APPLICATION

- External Facade
- Internal Wall
- Roof
- External Soffit
- Internal Ceiling
- Backing panel

VERTICAL CUT - HEAD



NOTES

- Door installation according project requirement - not Trimo d.o.o. scope

POS	CODE	ELEMENT	AMOUNT	UNIT
1	N005	Panel support profile	dwg	
2	N074	Support profile	dwg	
3	30006985	Self adhesive sealing tape 5x10xL		m
4	O1745	Drip flashing mask	dwg	
5	O103	Drip flashing	dwg	
6	K001	Rivet 4xL		pcs
7	K011	Bulb tite rivet 5,2xL		pcs

SCALE: M 1:2.5

DOOR 02

Trimo Group holds full copyrights on the information and details provided on this media, therefore any unauthorized reproduction and distribution is strictly prohibited.

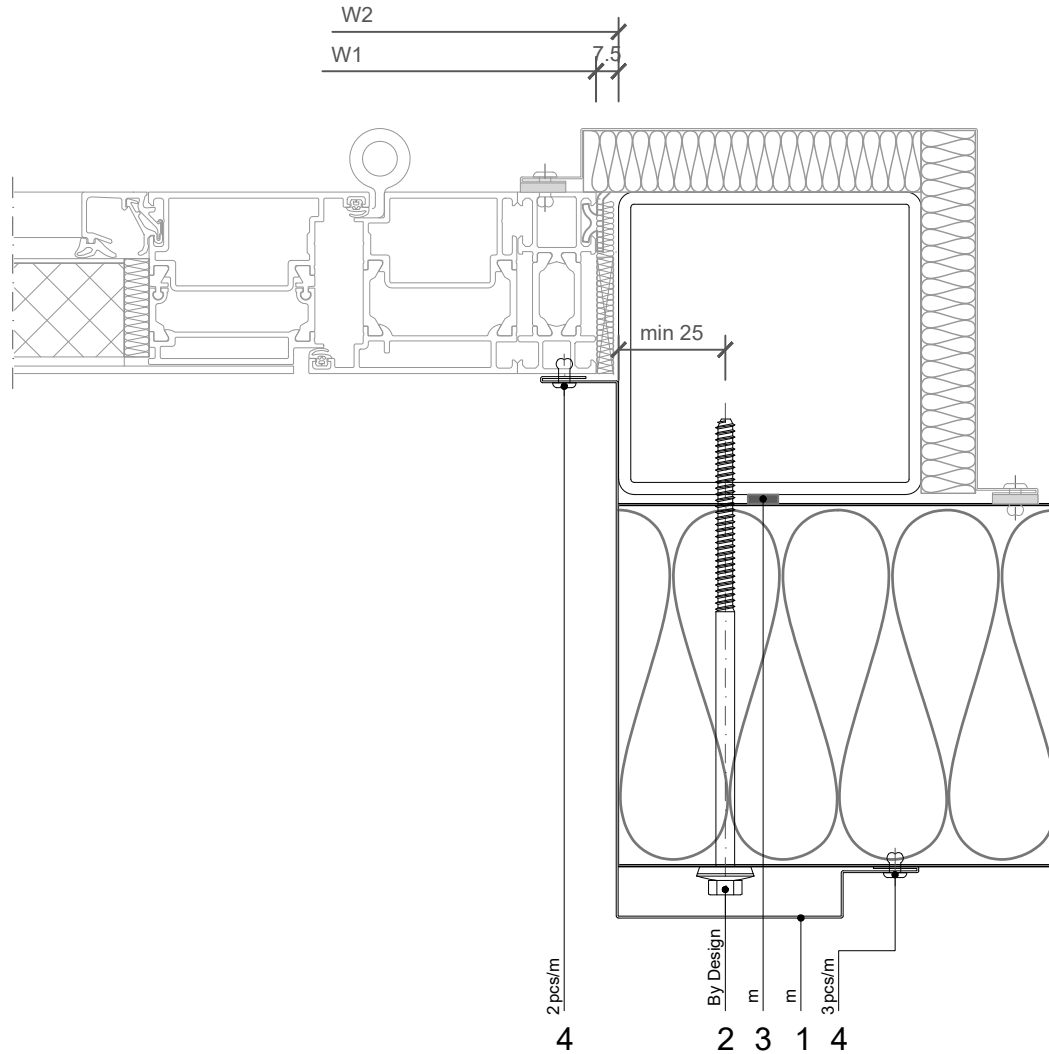
HORIZONTAL INSTALLATION

TRIMOTERM FTV

BUILDING APPLICATION

- External Facade
- Internal Wall
- Roof
- External Soffit
- Internal Ceiling
- Backing panel

HORIZONTAL CUT - JAMB



NOTES

- Apply mastic seal (acc. **TE-H-01.01 - ELEMENTS 01**)
- Door installation according project requirement - not Trimo d.o.o. scope

POS	CODE	ELEMENT	AMOUNT	UNIT
1	O109	Jamb flashing	dwg	
2	V130	Fixing screw	By Design	
3	30006985	Self adhesive sealing tape 5x10xL		m
4	K001	Rivet 4xL		pcs

SCALE: M 1:2.5

DOOR 03

Trimo Group holds full copyrights on the information and details provided on this media, therefore any unauthorized reproduction and distribution is strictly prohibited.

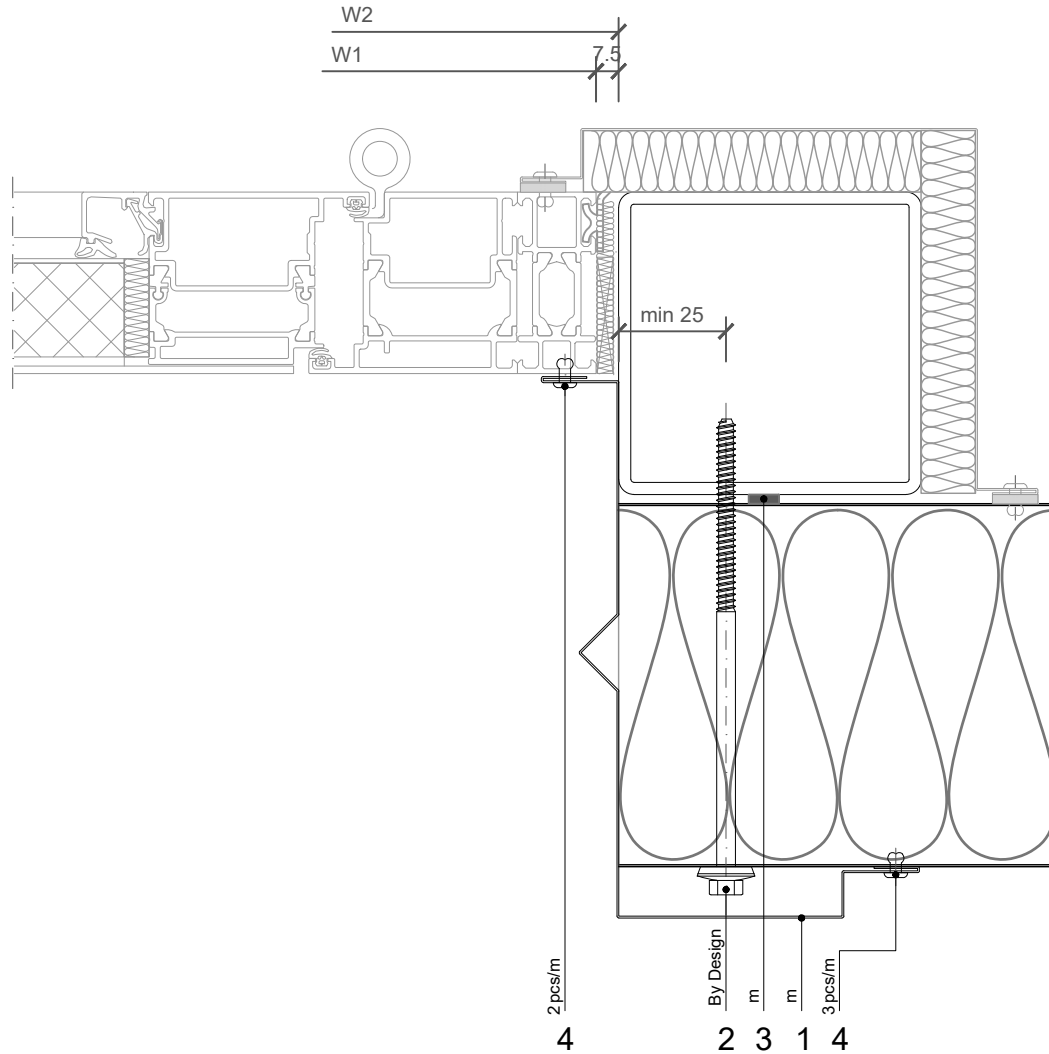
HORIZONTAL INSTALLATION

TRIMOTERM FTV

BUILDING APPLICATION

- External Facade
- Internal Wall
- Roof
- External Soffit
- Internal Ceiling
- Backing panel

HORIZONTAL CUT - JAMB



NOTES

- Apply mastic seal (acc. **TE-H-01.01 - ELEMENTS 01**)
- Door installation according project requirement - not Trimo d.o.o. scope

POS	CODE	ELEMENT	AMOUNT	UNIT
1	O1735	Jamb flashing	dwg	
2	V130	Fixing screw	By Design	
3	30006985	Self adhesive sealing tape 5x10xL		m
4	K001	Rivet 4xL		pcs

DOOR 04

Trimo Group holds full copyrights on the information and details provided on this media, therefore any unauthorized reproduction and distribution is strictly prohibited.

DOOR DIMENSIONS - SCHEMATIC

H ... DOOR VERTICAL DIMENSIONS

W ... DOOR HORIZONTAL DIMENSIONS

H1, W1 ... DOOR OPENING DIMENSIONS

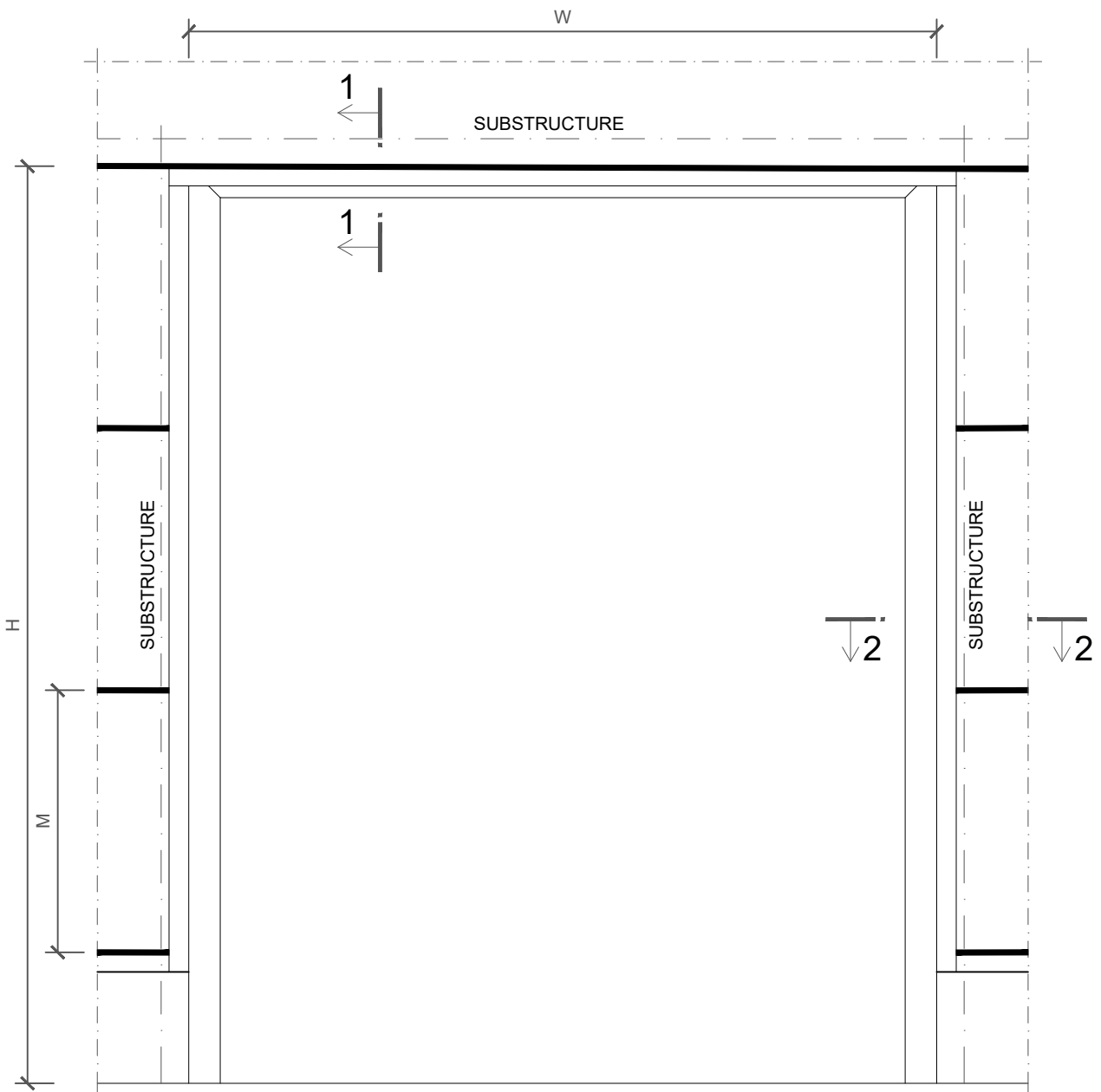
H2, W2 ... DOOR CLEAR DIMENSIONS

H2-H1= 7.5 mm; W2-W1 = 15 mm

M ... PANEL MODULE

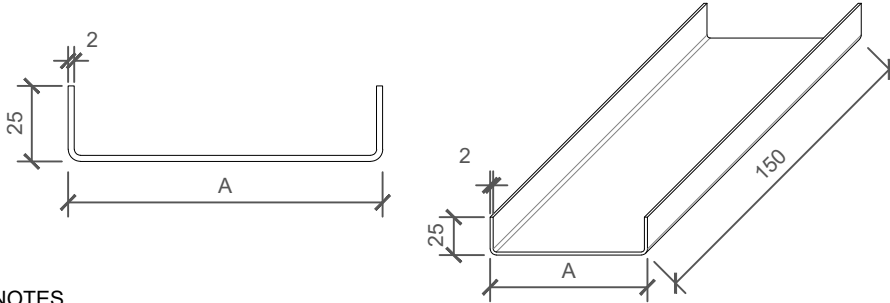
1-1 ... VERTICAL CUT

2-2 ... HORIZONTAL CUT



ELEMENT_ N005_Panel support profile

PANEL THICKNESS	50	60	80	100	120	133	150	172	200	240	250
CODE	N0001	N0002	N0003	N0004	N0005	N0006	N0007	N0008	N0009	N0010	N0011
A	34	44	64	84	104	117	134	156	184	224	234
STEEL SHEET WIDTH	76	86	106	126	146	159	176	198	226	266	276



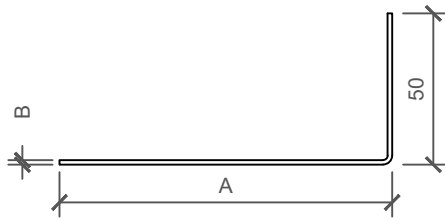
REFERENCE	
A	0
SHEET WIDTH	42
PIECES	

NOTES

material: Zinc - coated metal sheet
 thickness [mm]: 2
 sheet width [mm]: 42+A
 folds: 2
 L [mm] = 150

ELEMENT_ N074_Support profile

PANEL THICKNESS	50	60	80	100	120	133	150	172	200	240	250
CODE	N0037	N0038	N0039	N0040	N0041	N0042	N0043	N0044	N0045	N0046	N0047
A	40	50	70	90	110	123	140	162	190	230	240
B	1,5	1,5	1,5	1,5	1,5	2	2	2	2	2	2
STEEL SHEET WIDTH	87	97	117	137	157	169	186	208	236	276	286

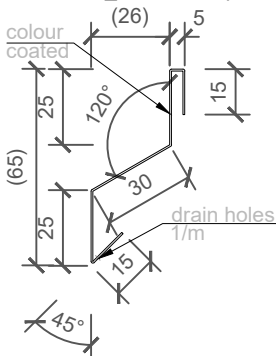


REFERENCE	
LENGTH	
PIECES	

NOTES

material: Zinc - coated metal sheet (B mm)
 L max = 4000 mm
 The weld seam should be protected using a zinc - based paint.
 Dimensions should be verified with structural analyses

ELEMENT_ O103_Drip flashing

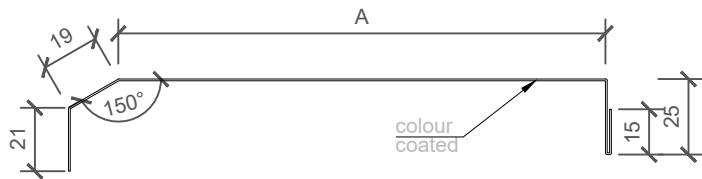


REFERENCE	
COLOUR	
LENGTH	
PIECES	

NOTES

material: Colored metal sheet
 thickness [mm]: 0,6
 sheet width [mm]: 115
 folds: 5
 Lmax [mm] = 6000

ELEMENT_O1740_Drip flashing mask

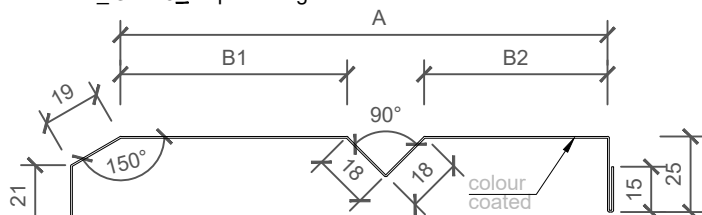


REFERENCE	
COLOUR	
A	0
SHEET WIDTH	80
LENGTH	
PIECES	

NOTES

material: Colored metal sheet
 thickness [mm]: 0,6
 sheet width [mm]: A+80
 folds: 5
 Lmax [mm] = 6000
 A<200 mm

ELEMENT_O1745_Drip flashing mask

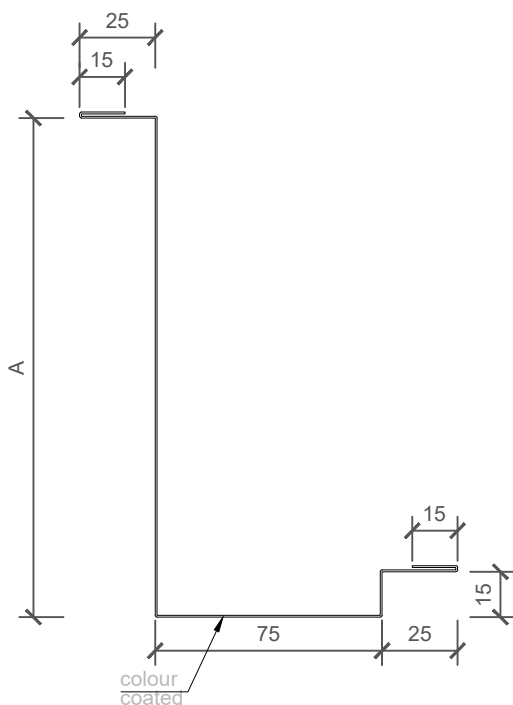


REFERENCE	
COLOUR	
A	0
B1	
B2	
SHEET WIDTH	90
LENGTH	
PIECES	

NOTES

material: Colored metal sheet
 thickness [mm]: 0,6
 sheet width [mm]: A+90
 folds: 8
 Lmax [mm] = 6000
 A>200 mm

ELEMENT_O109_Jamb flashing

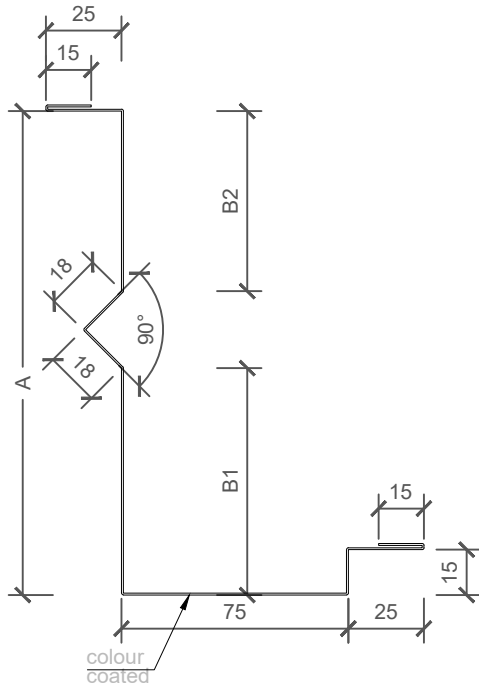


REFERENCE	
COLOUR	
A	0
SHEET WIDTH	170
LENGTH	
PIECES	

NOTES

material: Colored metal sheet
 thickness [mm]: 0,6
 sheet width [mm]: A+170
 folds: 8
 Lmax [mm] = 6000
 A<200 mm

ELEMENT_O1735_Jamb flashing



REFERENCE	
COLOUR	
A	0
B1	
B2	
SHEET WIDTH	180
LENGTH	
PIECES	

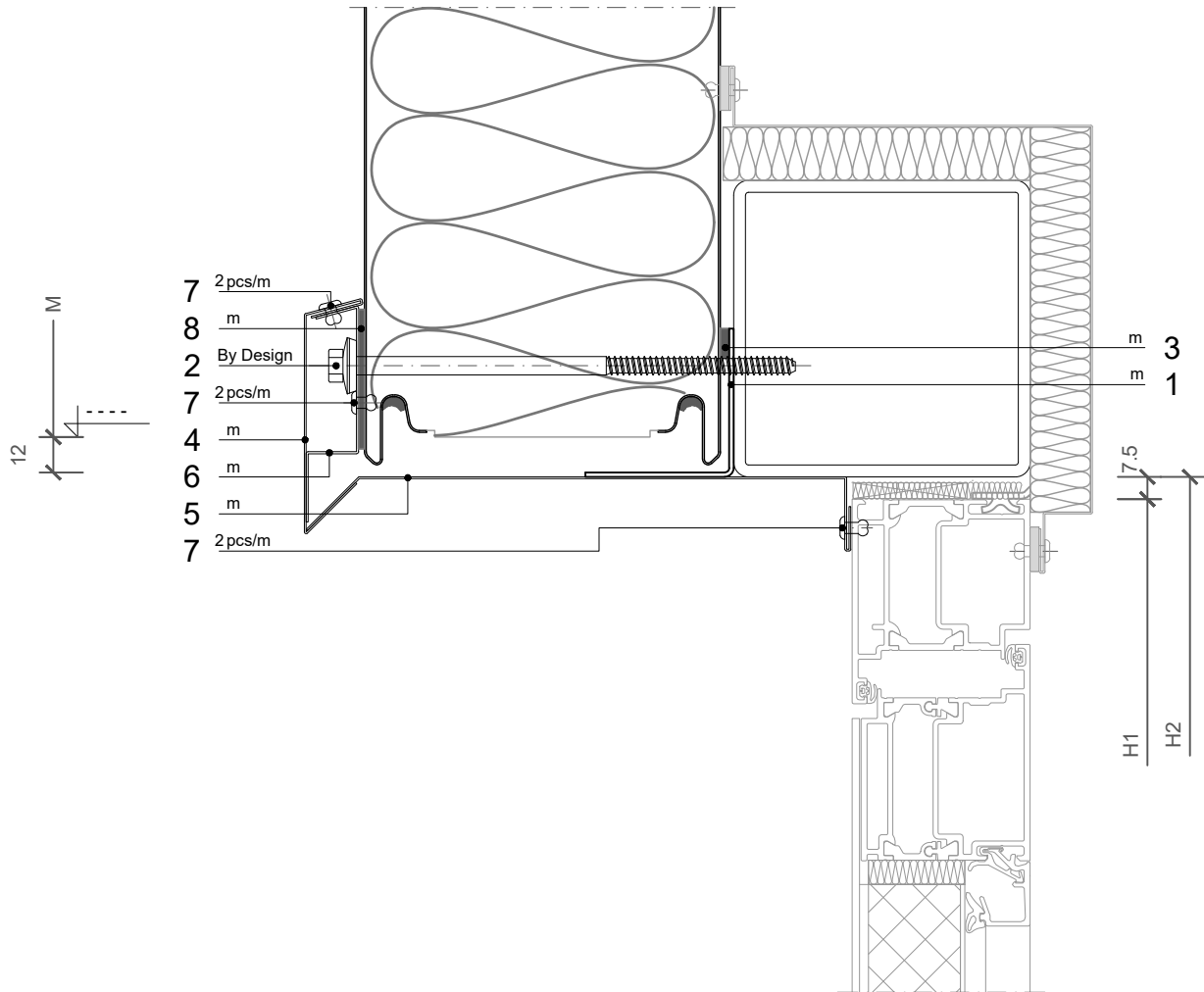
- NOTES**
- material: Colored metal sheet
 - thickness [mm]: 0,6
 - sheet width [mm]: A+180
 - fold: 11
 - Lmax [mm] = 6000
 - A > 200 mm

HORIZONTAL INSTALLATION
TRIMOTERM FTV

BUILDING APPLICATION

- External Facade
- Internal Wall
- Roof
- External Soffit
- Internal Ceiling
- Backing panel

VERTICAL CUT - HEAD



NOTES

- Door installation according project requirement - not Trimo d.o.o. scope

POS	CODE	ELEMENT	AMOUNT	UNIT
1	N068	Support profile	dwg	
2	V130	Fixing screw	By Design	
3	30006985	Self adhesive sealing tape 5x10xL		m
4	O076	Drip flashing mask	dwg	
5	O1742	Drip flashing - head	dwg	
6	O078	Drip Flashing support	dwg	
7	K001	Rivet 4xL		pcs
8	5012487	Self adhesive sealing tape EPDM 2x47x100 (under the fixing)		m

SCALE: M 1:2.5

DOOR 01

Trimo Group holds full copyrights on the information and details provided on this media, therefore any unauthorized reproduction and distribution is strictly prohibited.

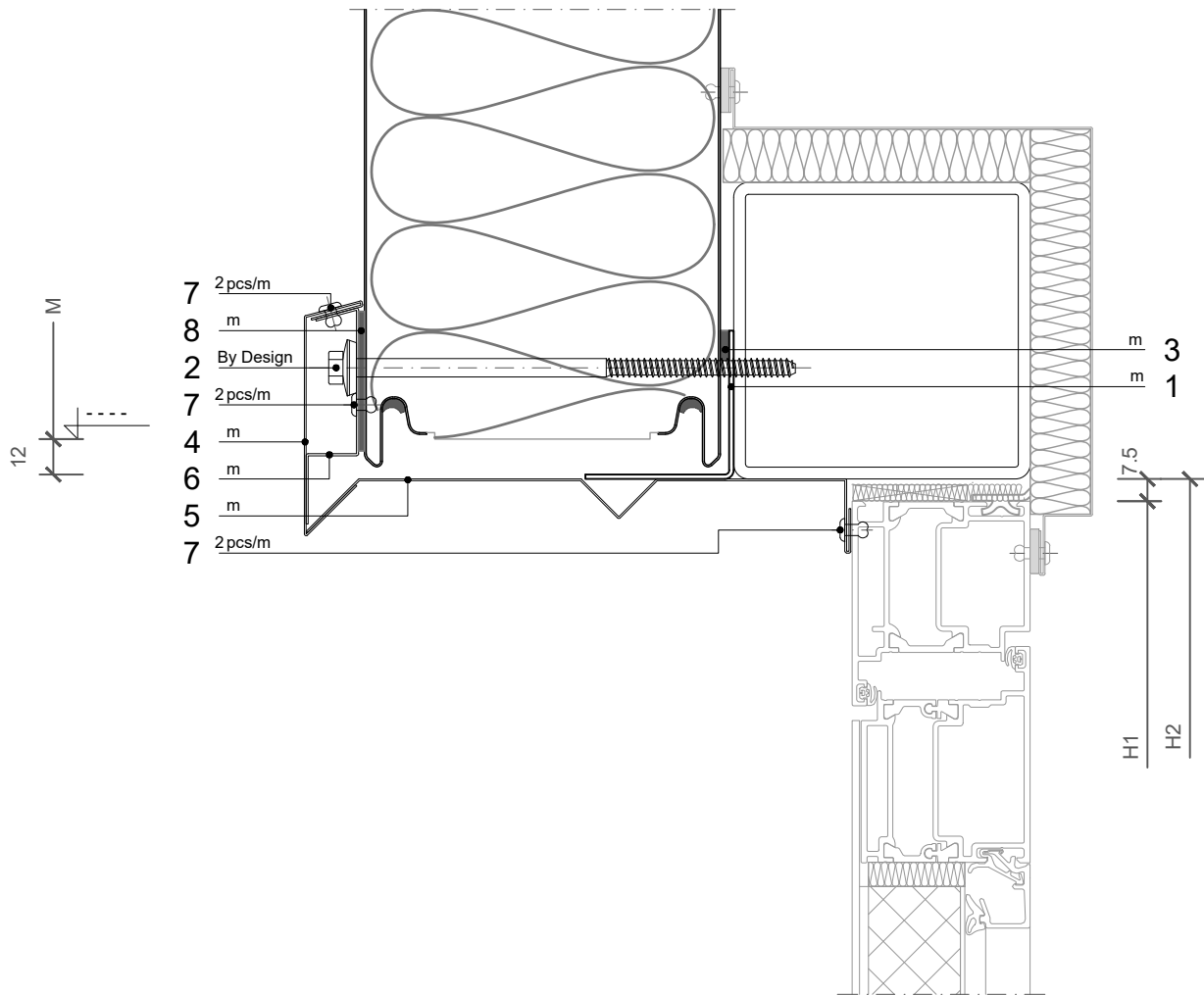
HORIZONTAL INSTALLATION

TRIMOTERM FTV

BUILDING APPLICATION

- External Facade
- Internal Wall
- Roof
- External Soffit
- Internal Ceiling
- Backing panel

VERTICAL CUT - HEAD



NOTES

- Door installation according project requirement - not Trimo d.o.o. scope

POS	CODE	ELEMENT	AMOUNT	UNIT
1	N068	Support profile	dwg	
2	V130	Fixing screw	By Design	
3	30006985	Self adhesive sealing tape 5x10xL		m
4	O076	Drip flashing mask	dwg	
5	O1747	Drip flashing - head	dwg	
6	O078	Drip Flashing support	dwg	
7	K001	Rivet 4xL		pcs
8	5012487	Self adhesive sealing tape EPDM 2x47x100 (under the fixing)		m

SCALE: M 1:2.5

DOOR 02

Trimo Group holds full copyrights on the information and details provided on this media, therefore any unauthorized reproduction and distribution is strictly prohibited.

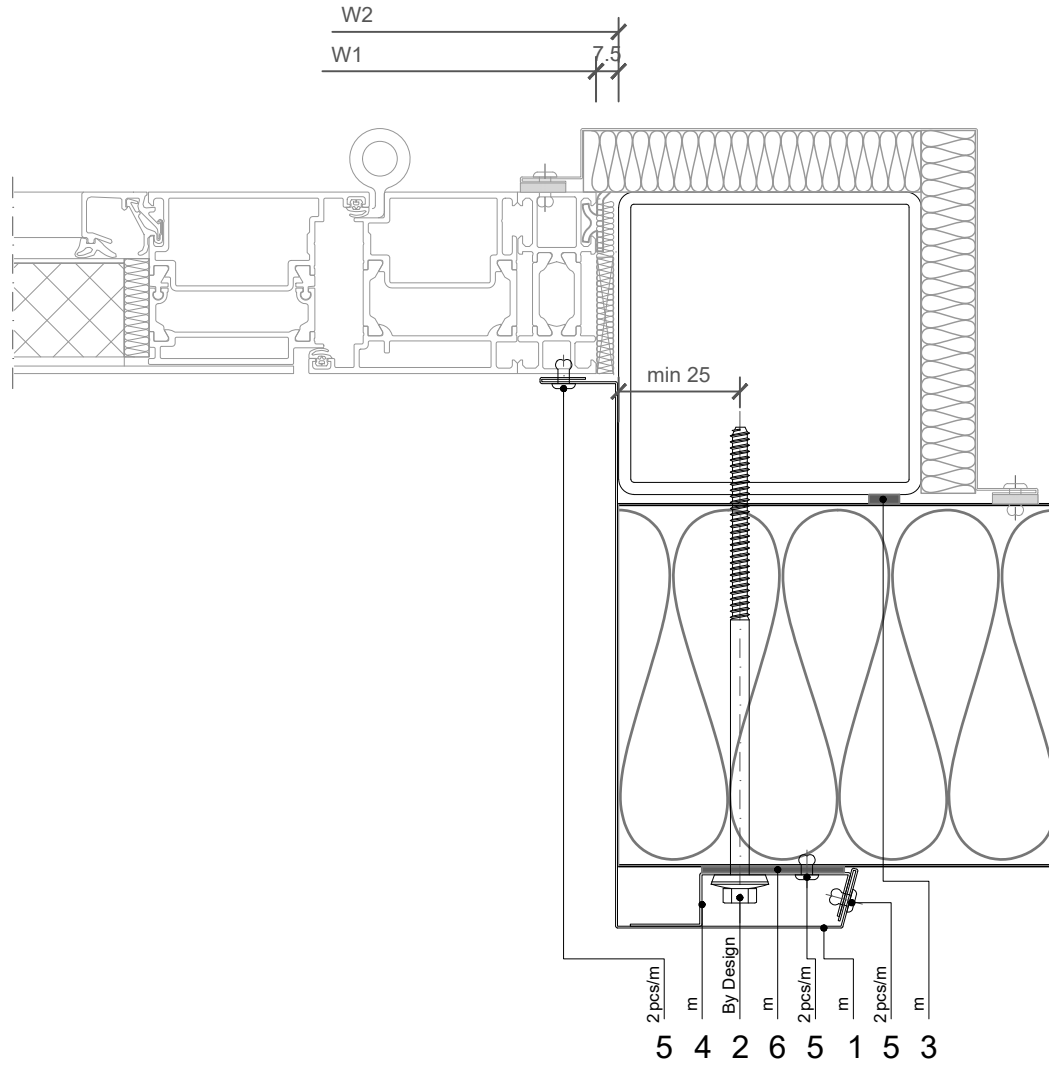
HORIZONTAL INSTALLATION

TRIMOTERM FTV

BUILDING APPLICATION

- External Facade
- Internal Wall
- Roof
- External Soffit
- Internal Ceiling
- Backing panel

HORIZONTAL CUT - JAMB



NOTES

- Apply mastic seal (acc. TE-H-01.01 - ELEMENTS 01)
- Door installation according project requirement - not Trimo d.o.o. scope

POS	CODE	ELEMENT	AMOUNT	UNIT
1	O111	Jamb flashing	dwg	
2	V130	Fixing screw	By Design	
3	30006985	Self adhesive sealing tape 5x10xL		m
4	O078	Flashing support	dwg	
5	K001	Rivet 4xL		pcs
6	5012487	Self adhesive sealing tape EPDM 2x47x100 (under the fixing)		m

SCALE: M 1:2.5

DOOR 03

Trimo Group holds full copyrights on the information and details provided on this media, therefore any unauthorized reproduction and distribution is strictly prohibited.

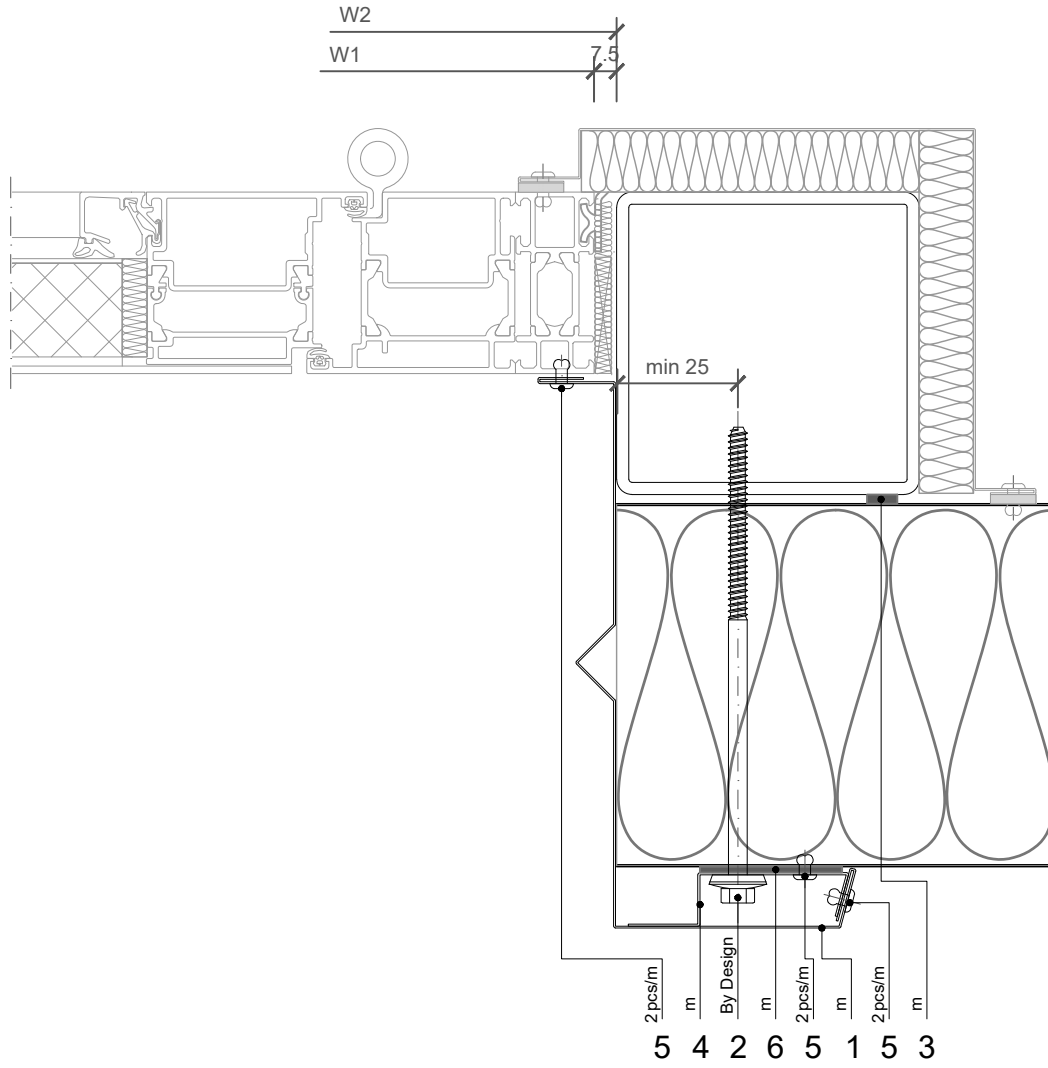
HORIZONTAL INSTALLATION

TRIMOTERM FTV

BUILDING APPLICATION

- External Facade
- Internal Wall
- Roof
- External Soffit
- Internal Ceiling
- Backing panel

HORIZONTAL CUT - JAMB



NOTES

- Apply mastic seal (acc. TE-H-01.01 - ELEMENTS 01)
- Door installation according project requirement - not Trimo d.o.o. scope

POS	CODE	ELEMENT	AMOUNT	UNIT
1	O1737	Jamb flashing	dwg	
2	V130	Fixing screw	By Design	
3	30006985	Self adhesive sealing tape 5x10xL		m
4	O078	Flashing support	dwg	
5	K001	Rivet 4xL		pcs
6	5012487	Self adhesive sealing tape EPDM 2x47x100 (under the fixing)		m

SCALE: M 1:2.5

DOOR 04

Trimo Group holds full copyrights on the information and details provided on this media, therefore any unauthorized reproduction and distribution is strictly prohibited.

DOOR DIMENSIONS - SCHEMATIC

H ... DOOR VERTICAL DIMENSIONS

W ... DOOR HORIZONTAL DIMENSIONS

H1, W1 ... DOOR OPENING DIMENSIONS

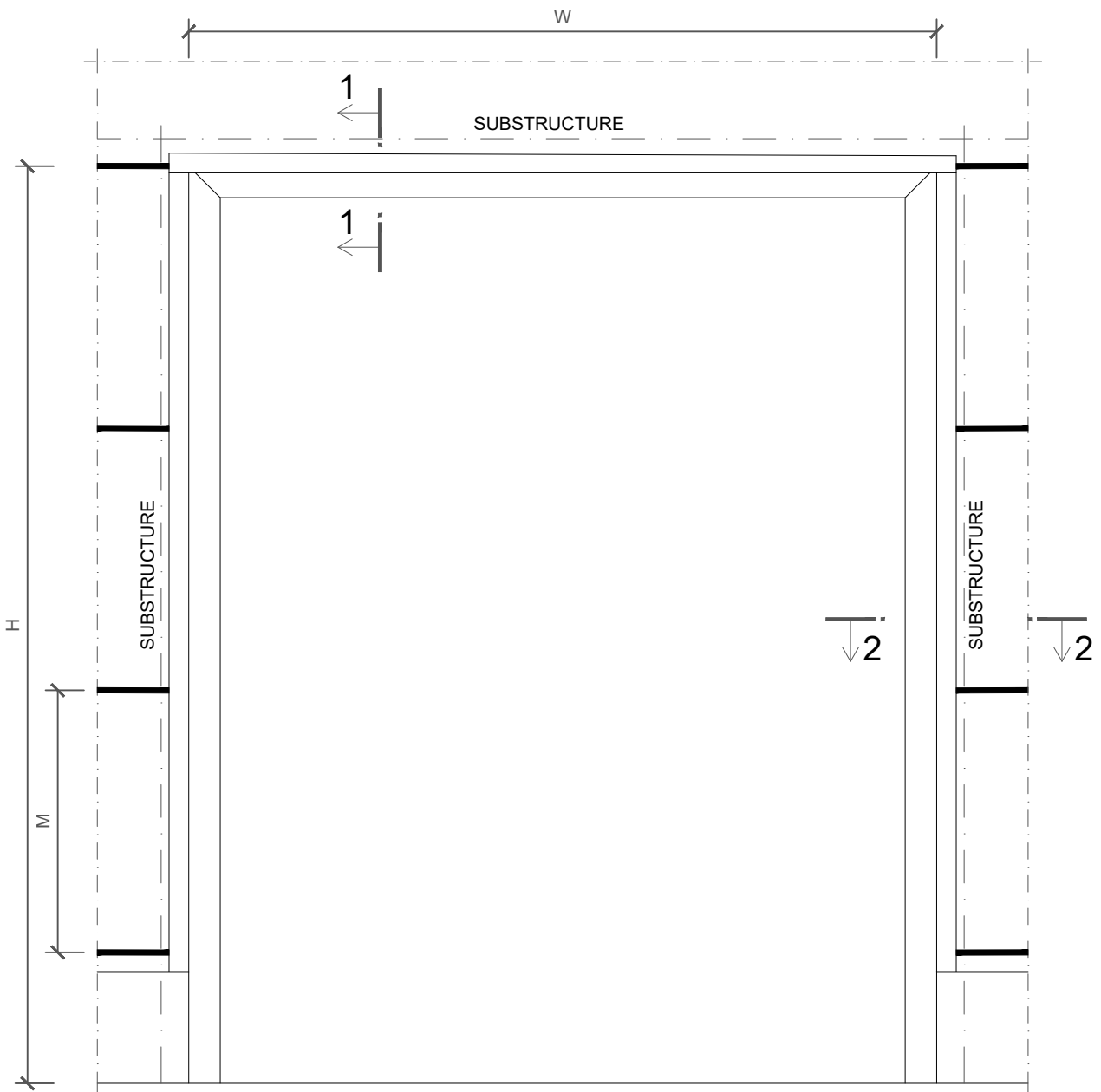
H2, W2 ... DOOR CLEAR DIMENSIONS

H2-H1= 7.5 mm; W2-W1 = 15 mm

M ... PANEL MODULE

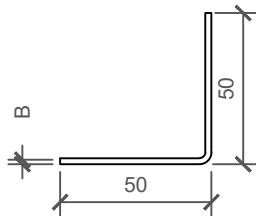
1-1 ... VERTICAL CUT

2-2 ... HORIZONTAL CUT



ELEMENT_ N068_Support profile

PANEL THICKNESS	50	60	80	100	120	133	150	172	200	240	250
CODE	N0073	N0073	N0073	N0073	N0073	N0074	N0074	N0074	N0074	N0074	N0074
B	1,5	1,5	1,5	1,5	1,5	2	2	2	2	2	2
STEEL SHEET WIDTH	97	97	97	97	97	96	96	96	96	96	96

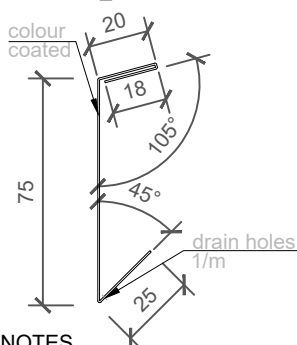


REFERENCE	
LENGTH	
PIECES	

NOTES

material: Zinc - coated metal sheet (B mm)
 L max = 4000 mm
 The weld seam should be protected using a zinc - based paint.
 Dimensions should be verified with structural analyses

ELEMENT_ O076_Drip flashing mask

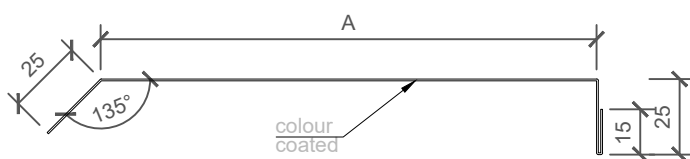


REFERENCE	
COLOUR	
LENGTH	
PIECES	

NOTES

material: Colored metal sheet
 thickness [mm]: 0,6
 sheet width [mm]: 138
 folds: 4
 Lmax [mm] = 6000

ELEMENT_ O1742_Drip flashing - head

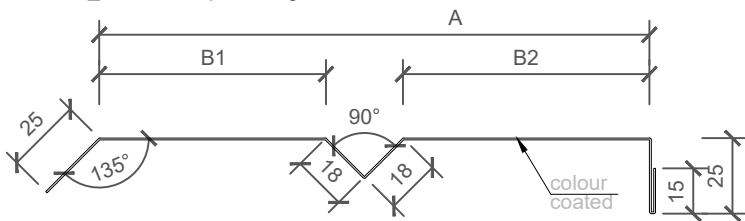


REFERENCE	
COLOUR	
A	0
SHEET WIDTH	65
LENGTH	
PIECES	

NOTES

material: Colored metal sheet
 thickness [mm]: 0,6
 sheet width [mm]: A+65
 folds: 4
 Lmax [mm] = 6000
 A<200 mm

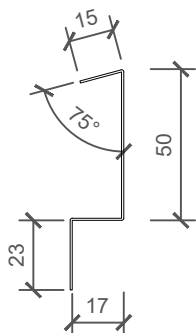
ELEMENT_ O1747_ Drip flashing - head



NOTES
 material: Colored metal sheet
 thickness [mm]: 0,6
 sheet width [mm]: A+75
 folds: 7
 Lmax [mm] = 6000
 A>200 mm

REFERENCE	
COLOUR	
A	0
B1	
B2	
SHEET WIDTH	75
LENGTH	
PIECES	

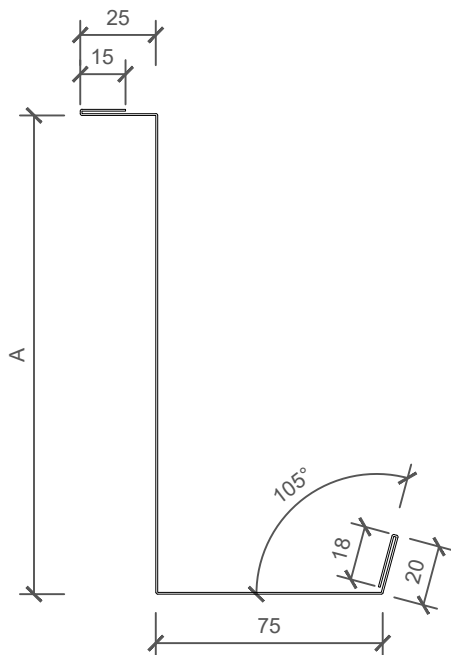
ELEMENT_ O078_ Flashing support



NOTES
 material: Galvanized metal sheet
 thickness [mm]: 0,7
 sheet width [mm]: 105
 folds: 3
 Lmax [mm] = 6000

REFERENCE	
LENGTH	
PIECES	

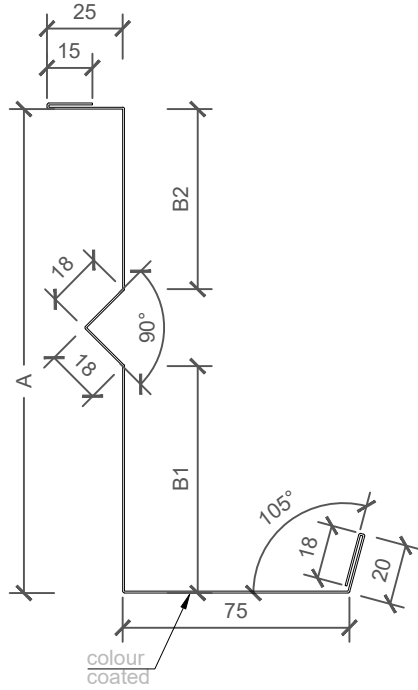
ELEMENT_ O111_ Jamb flashing



NOTES
 material: Colored metal sheet
 thickness [mm]: 0,6
 sheet width [mm]: A+153
 folds: 7
 Lmax [mm] = 6000
 A<200 mm

REFERENCE	
COLOUR	
A	0
SHEET WIDTH	153
LENGTH	
PIECES	

ELEMENT_O1737_Jamb flashing



REFERENCE	
COLOUR	
A	0
B1	
B2	
SHEET WIDTH	163
LENGTH	
PIECES	

NOTES

material: Colored metal sheet
 thickness [mm]: 0,6
 sheet width [mm]: A+163
 folds: 10
 Lmax [mm] = 6000
 A>200 mm

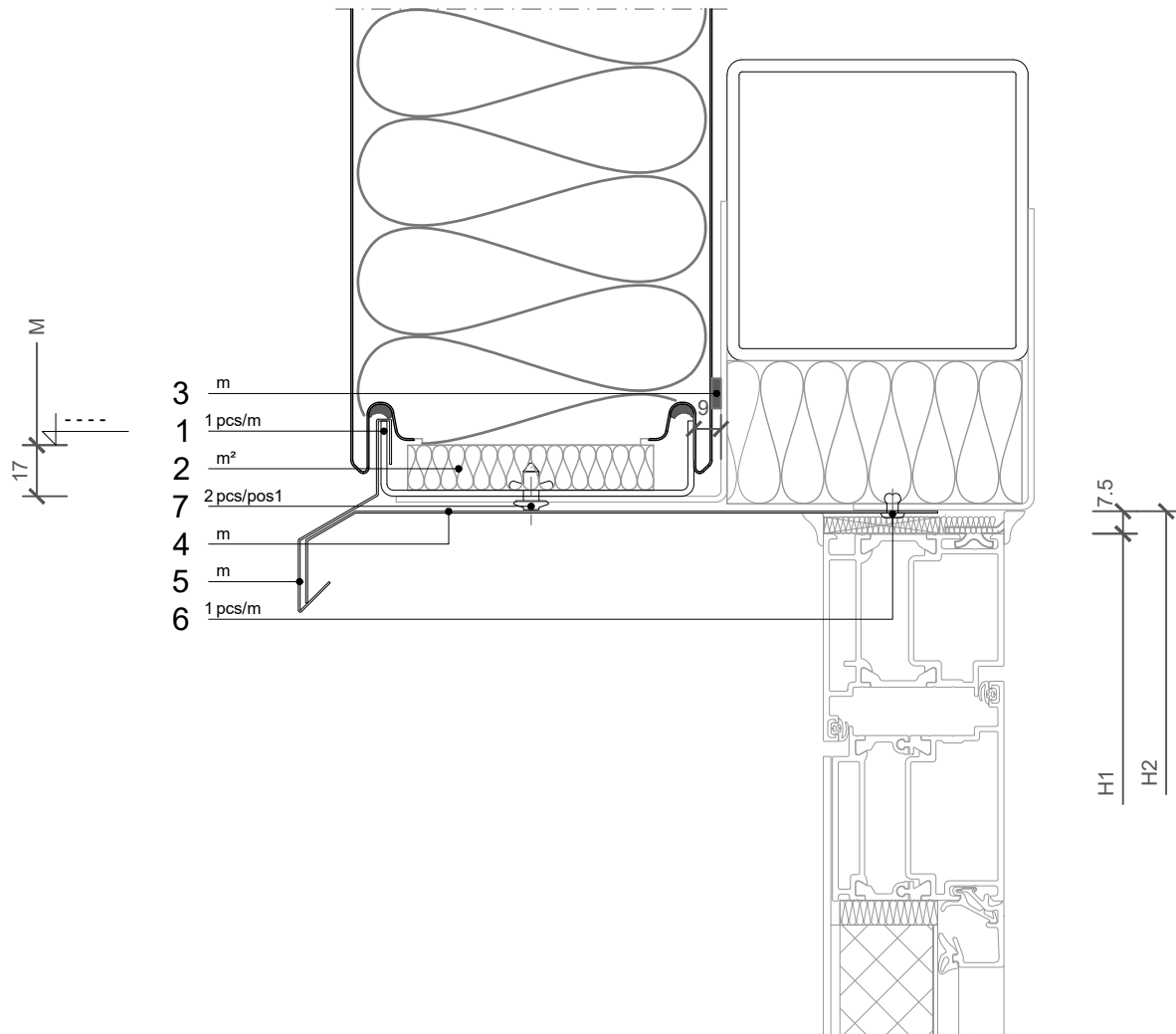
HORIZONTAL INSTALLATION

TRIMOTERM FTV

BUILDING APPLICATION

- External Facade
- Internal Wall
- Roof
- External Soffit
- Internal Ceiling
- Backing panel

VERTICAL CUT - HEAD



NOTES

- Door installation according to project requirements - not Trimo d.o.o. scope

POS	CODE	ELEMENT	AMOUNT	UNIT
1	N005	Panel support profile	dwg	
2	30027144	Thermal insulation		m ²
3	30006985	Self adhesive sealing tape 5x10xL		m
4	O1739	Drip flashing mask	dwg	
5	O103	Drip flashing	dwg	
6	K001	Rivet 4xL		pcs
7	K011	Bulb tite rivet 5,2xL		pcs

SCALE: M 1:2.5

DOOR 01

Trimo Group holds full copyrights on the information and details provided on this media, therefore any unauthorized reproduction and distribution is strictly prohibited.

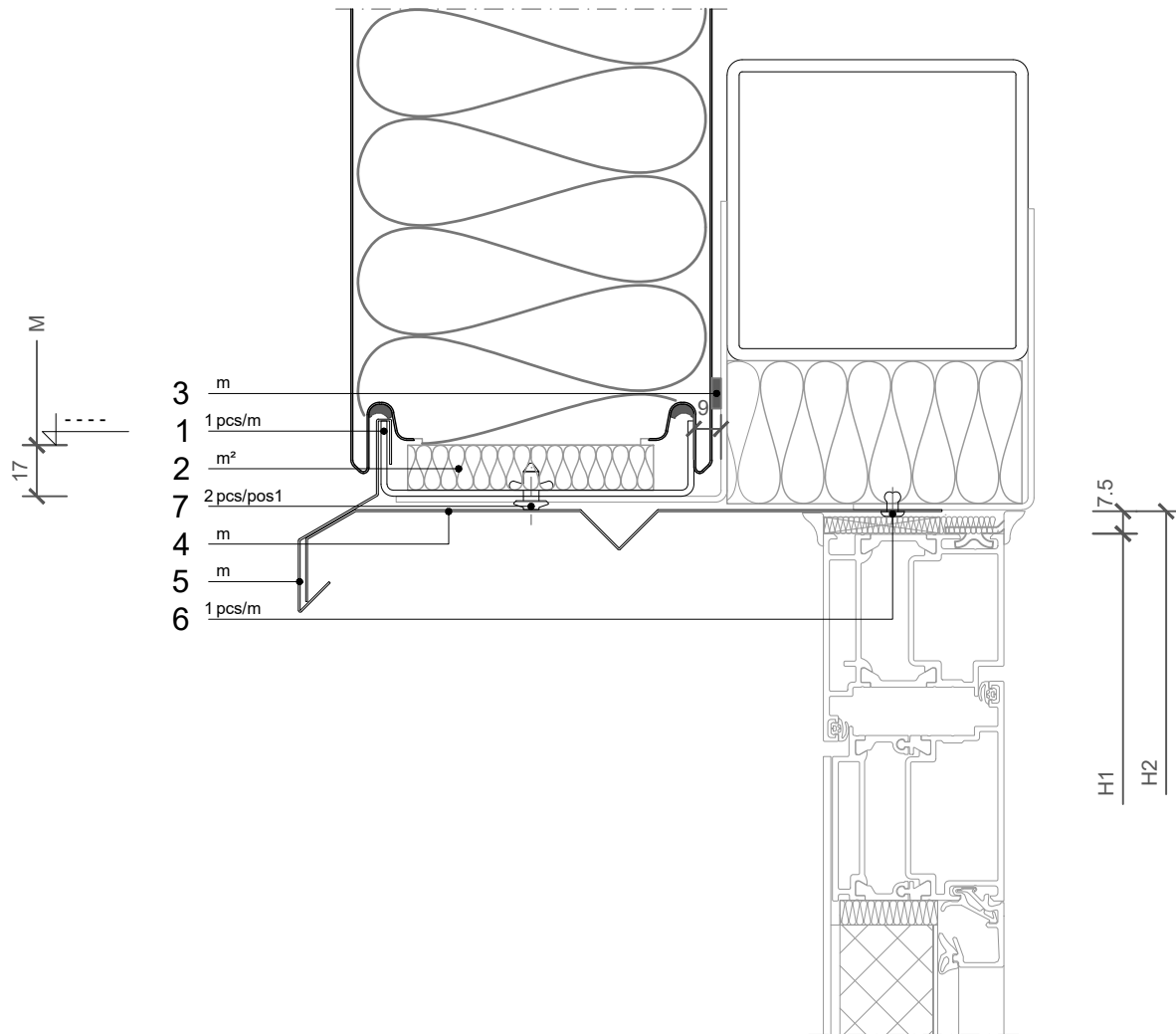
HORIZONTAL INSTALLATION

TRIMOTERM FTV

BUILDING APPLICATION

- External Facade
- Internal Wall
- Roof
- External Soffit
- Internal Ceiling
- Backing panel

VERTICAL CUT - HEAD



NOTES

- Door installation according to project requirement - not Trimo d.o.o. scope

POS	CODE	ELEMENT	AMOUNT	UNIT
1	N005	Panel support profile	dwg	
2	30027144	Thermal insulation		m ²
3	30006985	Self adhesive sealing tape 5x10xL		m
4	O1744	Drip flashing mask	dwg	
5	O103	Drip flashing	dwg	
6	K001	Rivet 4xL		pcs
7	K011	Bulb tite rivet 5,2xL		pcs

SCALE: M 1:2.5

DOOR 02

Trimo Group holds full copyrights on the information and details provided on this media, therefore any unauthorized reproduction and distribution is strictly prohibited.

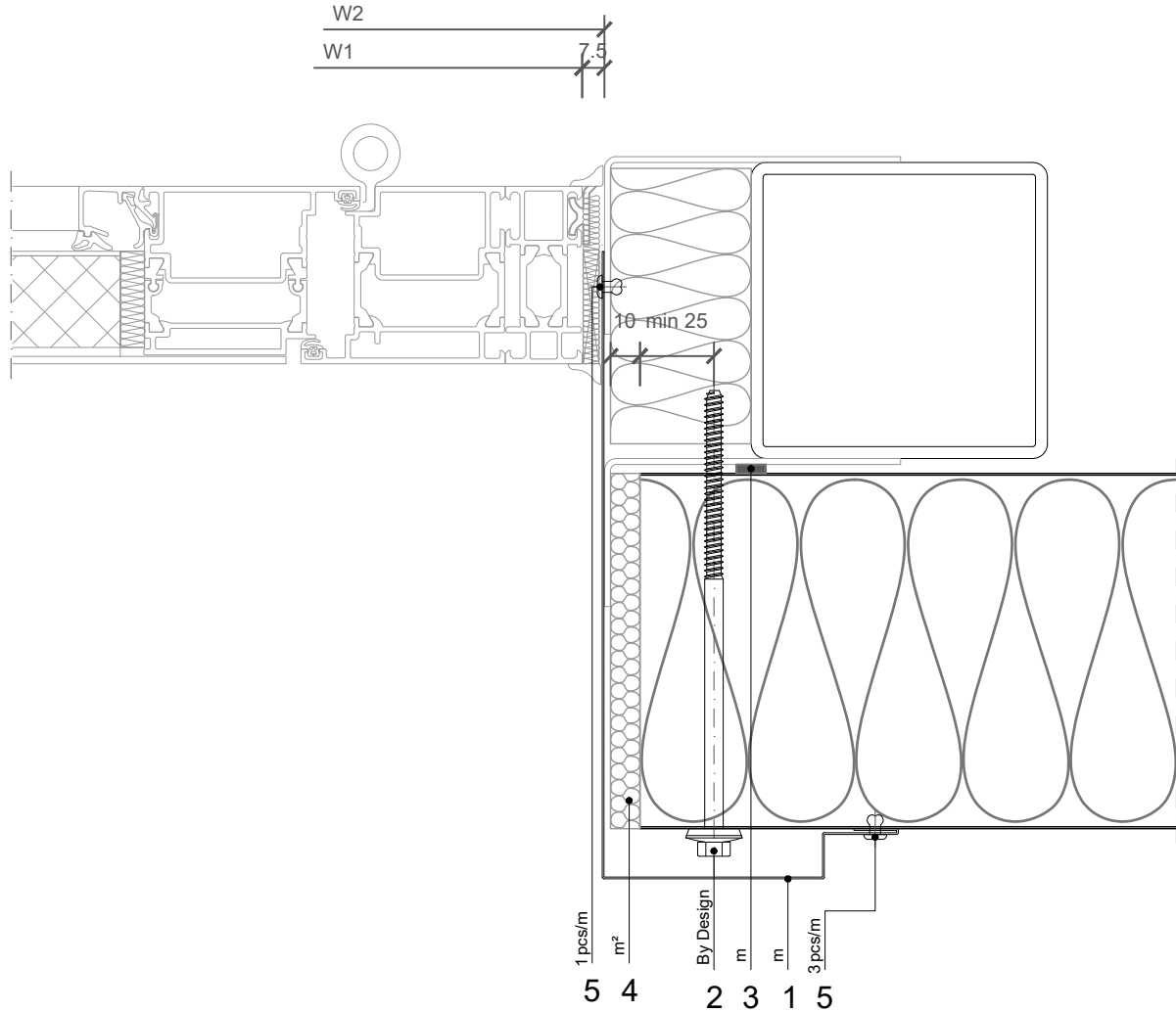
HORIZONTAL INSTALLATION

TRIMOTERM FTV

BUILDING APPLICATION

- External Facade
- Internal Wall
- Roof
- External Soffit
- Internal Ceiling
- Backing panel

HORIZONTAL CUT - JAMB



NOTES

- Apply mastic seal (acc. TE-H-01.01 - ELEMENTS 01)
- Door installation according project requirement - not Trimo d.o.o. scope

POS	CODE	ELEMENT	AMOUNT	UNIT
1	O549	Jamb flashing	dwg	
2	V130	Fixing screw	By Design	
3	30006985	Self adhesive sealing tape 5x10xL		m
4	30027144	Thermal insulation		m ²
5	K001	Rivet 4xL		pcs

SCALE: M 1:2.5

DOOR 03

Trimo Group holds full copyrights on the information and details provided on this media, therefore any unauthorized reproduction and distribution is strictly prohibited.

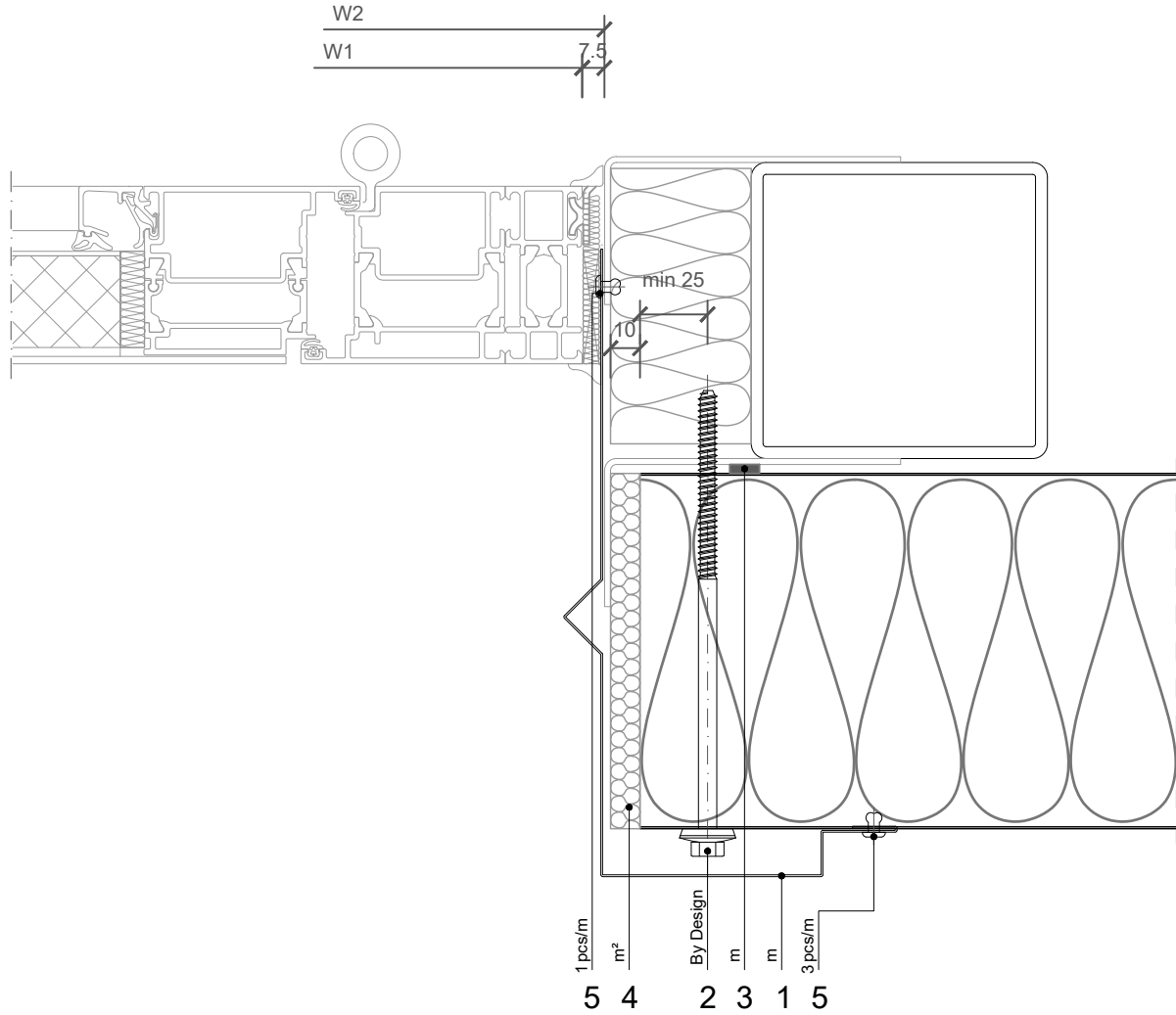
HORIZONTAL INSTALLATION

TRIMOTERM FTV

BUILDING APPLICATION

- External Facade
- Internal Wall
- Roof
- External Soffit
- Internal Ceiling
- Backing panel

HORIZONTAL CUT - JAMB



NOTES

- Apply mastic seal (acc. TE-H-01.01 - ELEMENTS 01)
- Door installation according project requirement - not Trimo d.o.o. scope

POS	CODE	ELEMENT	AMOUNT	UNIT
1	O1734	Jamb flashing	dwg	
2	V130	Fixing screw	By Design	
3	30006985	Self adhesive sealing tape 5x10xL		m
4	30027144	Thermal insulation		m ²
5	K001	Rivet 4xL		pcs

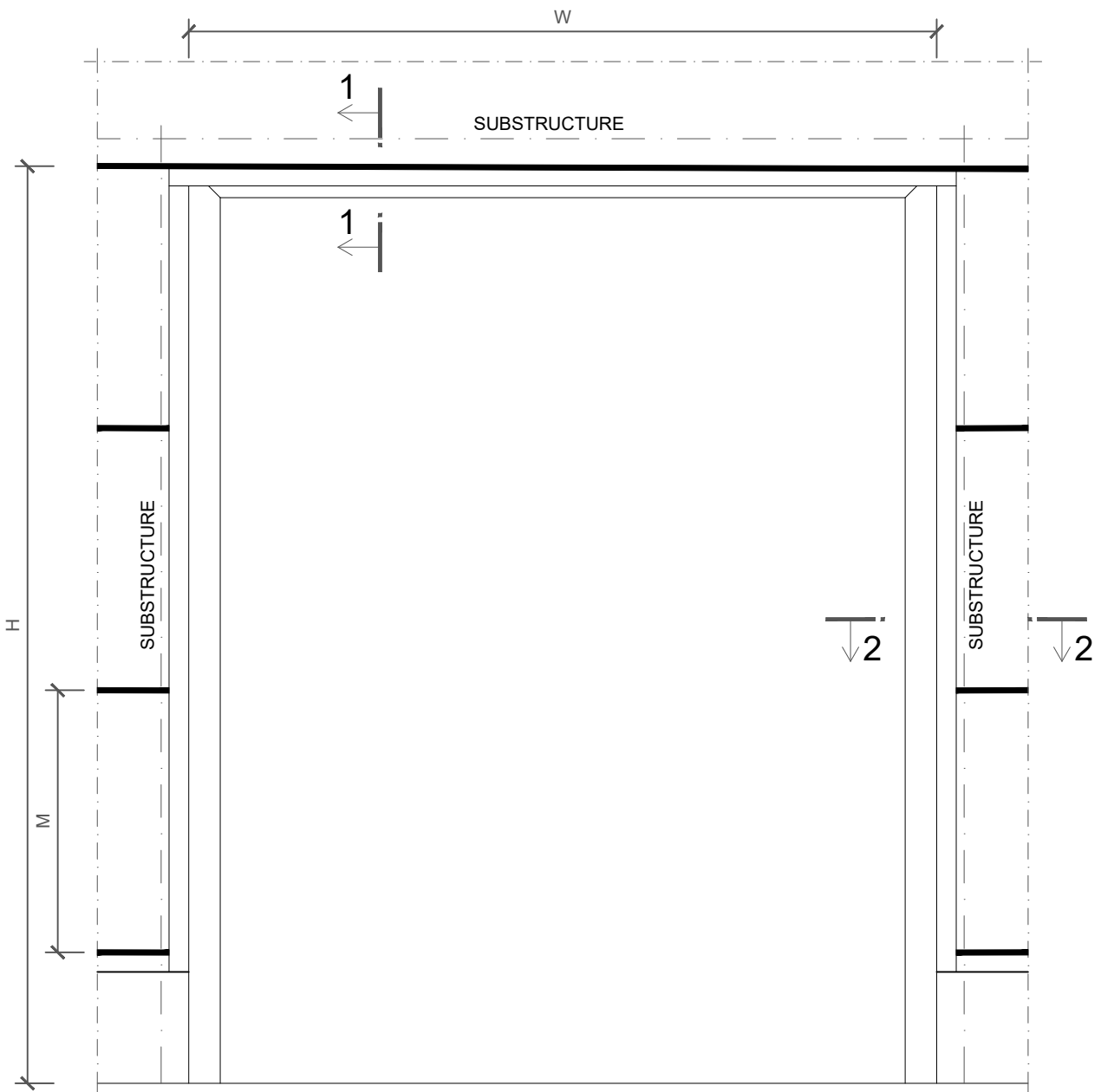
SCALE: M 1:2.5

DOOR 04

Trimo Group holds full copyrights on the information and details provided on this media, therefore any unauthorized reproduction and distribution is strictly prohibited.

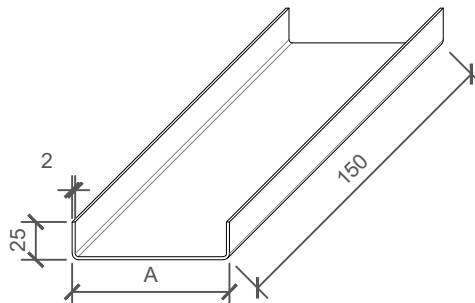
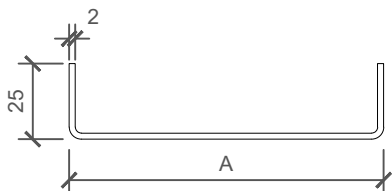
DOOR DIMENSIONS - SCHEMATIC

- H ... DOOR VERTICAL DIMENSIONS
- W ... DOOR HORIZONTAL DIMENSIONS
- H1, W1 ... DOOR OPENING DIMENSIONS
- H2, W2 ... DOOR CLEAR DIMENSIONS
- H2-H1= 7.5 mm; W2-W1 = 15 mm
- M ... PANEL MODULE
- 1-1 ... VERTICAL CUT
- 2-2 ... HORIZONTAL CUT



ELEMENT_ N005_Panel support profile

PANEL THICKNESS	50	60	80	100	120	133	150	172	200	240	250
CODE	N0001	N0002	N0003	N0004	N0005	N0006	N0007	N0008	N0009	N0010	N0011
A	34	44	64	84	104	117	134	156	184	224	234
STEEL SHEET WIDTH	76	86	106	126	146	159	176	198	226	266	276

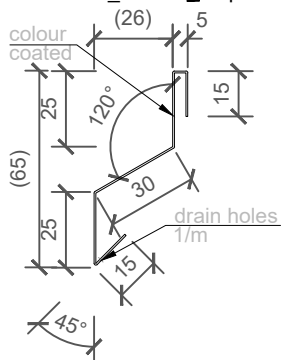


REFERENCE	
A	0
SHEET WIDTH	42
PIECES	

NOTES

material: Zinc - coated metal sheet
 thickness [mm]: 2
 sheet width [mm]: 42+A
 folds: 2
 L [mm] = 150

ELEMENT_ O103_Drip flashing

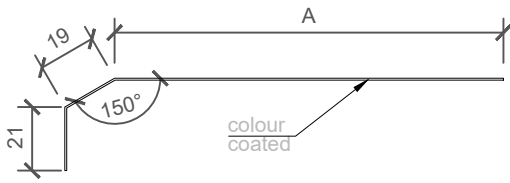


REFERENCE	
COLOUR	
LENGTH	
PIECES	

NOTES

material: Colored metal sheet
 thickness [mm]: 0,6
 sheet width [mm]: 115
 folds: 5
 Lmax [mm] = 6000

ELEMENT_O1739_Drip flashing mask

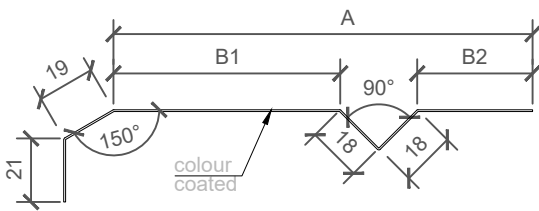


REFERENCE	
COLOUR	
A	0
SHEET WIDTH	40
LENGTH	
PIECES	

NOTES

material: Colored metal sheet
 thickness [mm]: 0,6
 sheet width [mm]: A+40
 folds: 2
 Lmax [mm] = 6000
 A<200 mm

ELEMENT_O1744_Drip flashing mask

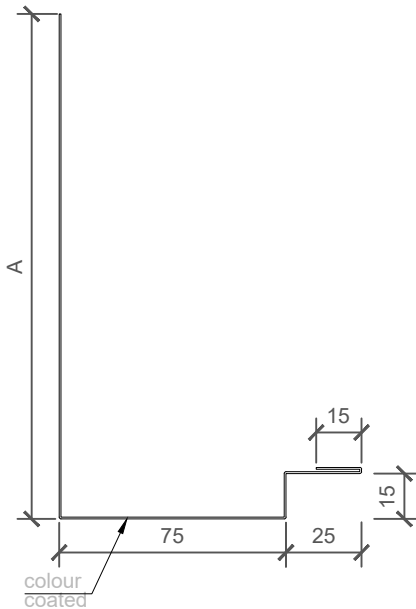


REFERENCE	
COLOUR	
A	
B1	
B2	0
SHEET WIDTH	50
LENGTH	
PIECES	

NOTES

material: Colored metal sheet
 thickness [mm]: 0,6
 sheet width [mm]: A+50
 folds: 5
 Lmax [mm] = 6000
 A>200 mm

ELEMENT_O549_Jamb flashing

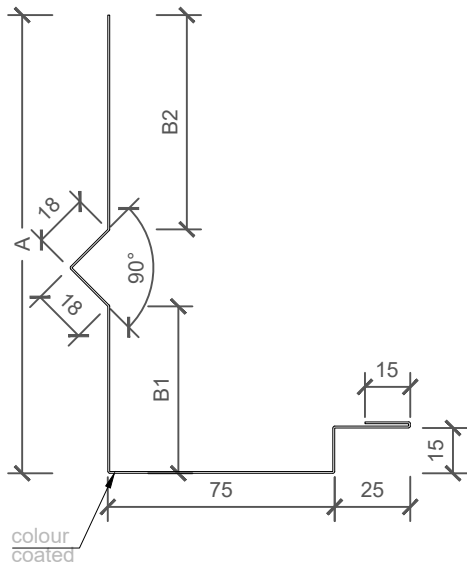


REFERENCE	
COLOUR	
A	0
SHEET WIDTH	130
LENGTH	
PIECES	

NOTES

material: Colored metal sheet
 thickness [mm]: 0,6
 sheet width [mm]: A+130
 folds: 5
 Lmax [mm] = 6000
 A<200 mm

ELEMENT_ O1734_Jamb flashing



REFERENCE	
COLOUR	
A	0
B1	
B2	
SHEET WIDTH	140
LENGTH	
PIECES	

NOTES

material: Colored metal sheet
 thickness [mm]: 0,6
 sheet width [mm]: A+140
 folds: 8
 Lmax [mm] = 6000
 A>200 mm

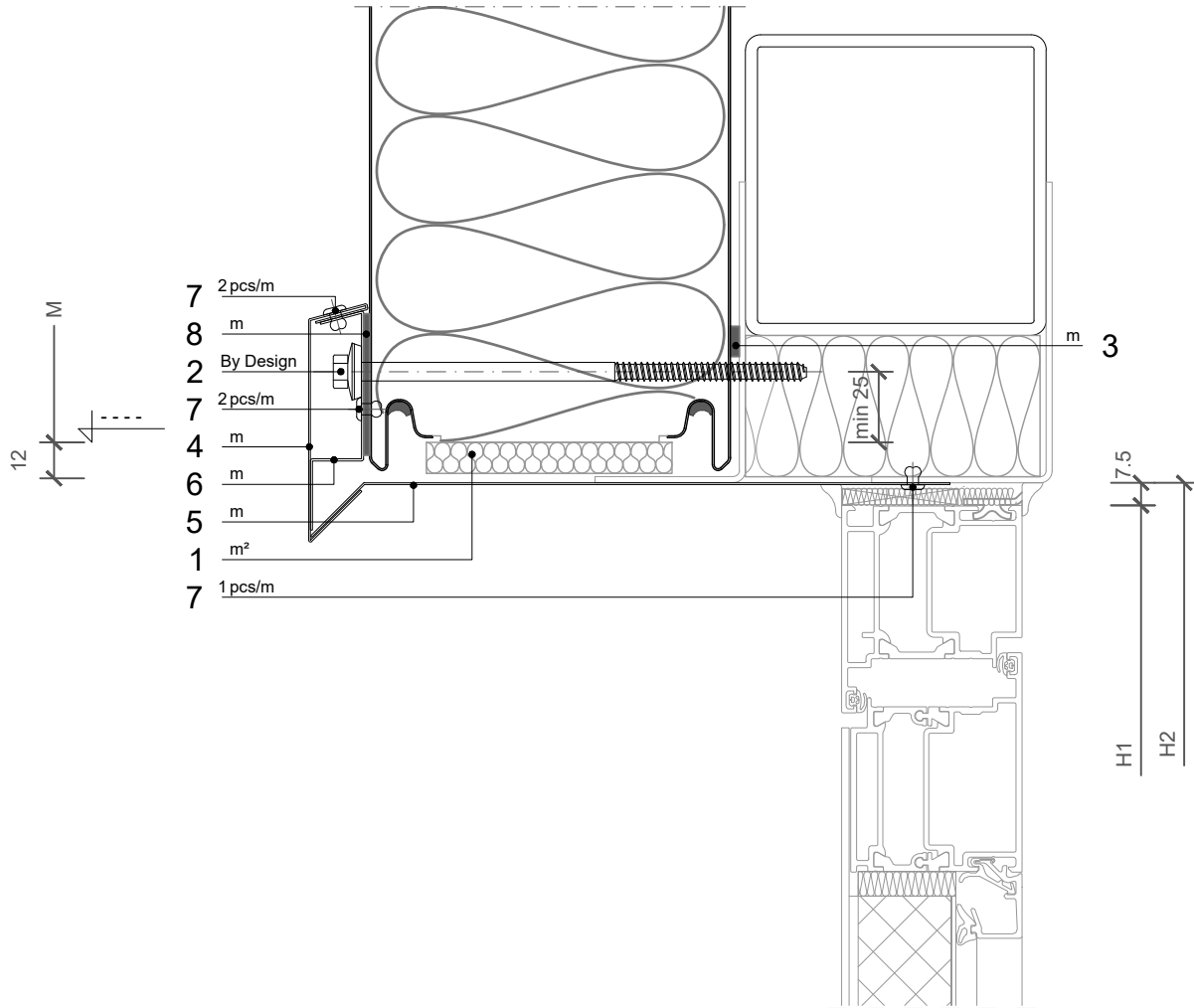
HORIZONTAL INSTALLATION

TRIMOTERM FTV

BUILDING APPLICATION

- External Facade
- Internal Wall
- Roof
- External Soffit
- Internal Ceiling
- Backing panel

VERTICAL CUT - HEAD



NOTES

- Door installation according project requirement - not Trimo d.o.o. scope

POS	CODE	ELEMENT	AMOUNT	UNIT
1	30027144	Thermal insulation		m ²
2	V130	Fixing screw	By Design	
3	30006985	Self adhesive sealing tape 5x10xL		m
4	O076	Drip flashing mask	dwg	
5	O1741	Drip flashing - head	dwg	
6	O078	Drip Flashing support	dwg	
7	K001	Rivet 4xL		pcs
8	5012487	Self adhesive sealing tape EPDM 2x47x100 (under the fixing)		m

SCALE: M 1:2.5

DOOR 01

Trimo Group holds full copyrights on the information and details provided on this media, therefore any unauthorized reproduction and distribution is strictly prohibited.

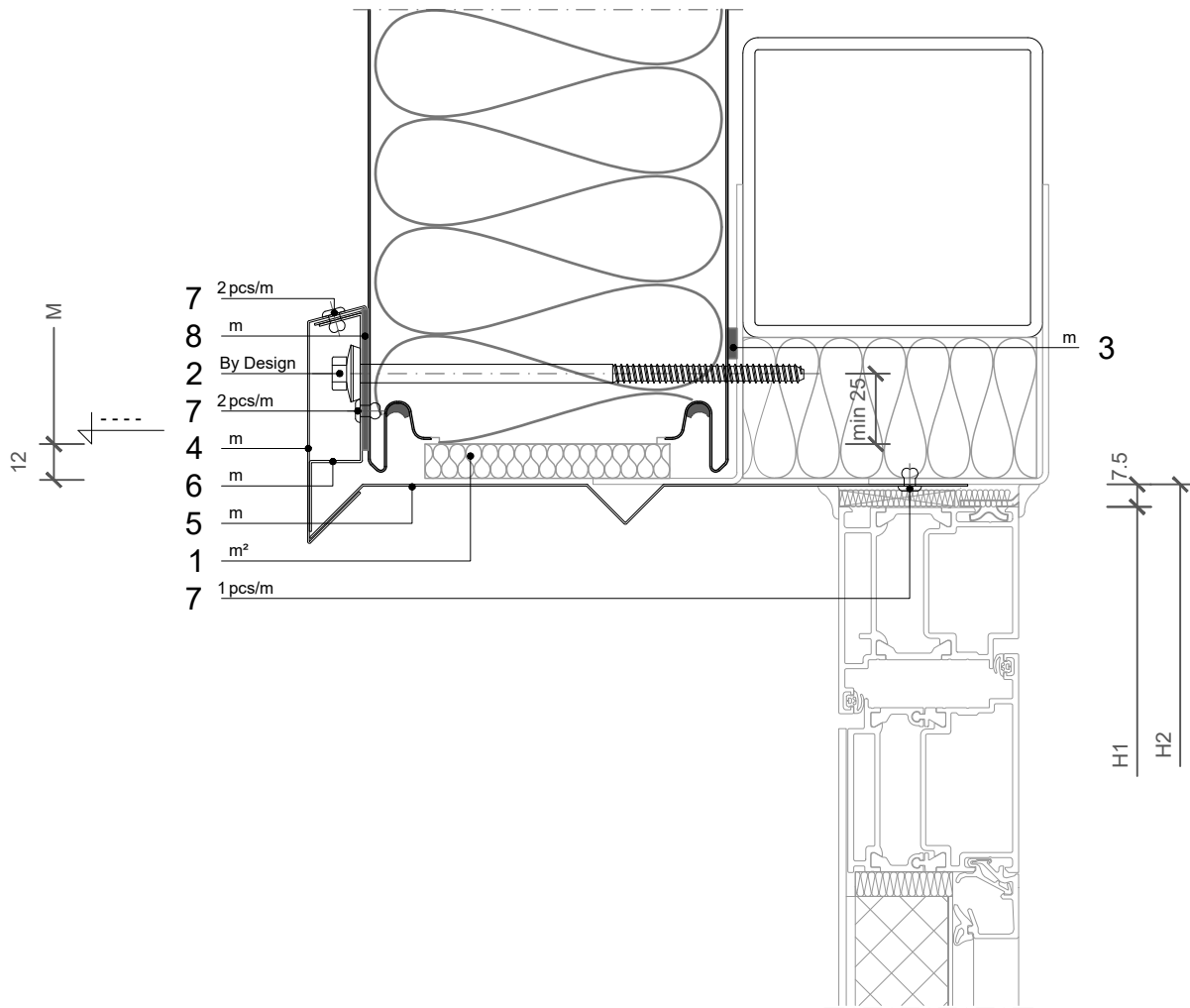
HORIZONTAL INSTALLATION

TRIMOTERM FTV

BUILDING APPLICATION

- External Facade
- Internal Wall
- Roof
- External Soffit
- Internal Ceiling
- Backing panel

VERTICAL CUT - HEAD



NOTES

- Door installation according project requirement - not Trimo d.o.o. scope

POS	CODE	ELEMENT	AMOUNT	UNIT
1	30027144	Thermal insulation		m ²
2	V130	Fixing screw	By Design	
3	30006985	Self adhesive sealing tape 5x10xL		m
4	O076	Drip flashing mask	dwg	
5	O1746	Drip flashing - head	dwg	
6	O078	Drip Flashing support	dwg	
7	K001	Rivet 4xL		pcs
8	5012487	Self adhesive sealing tape EPDM 2x47x100 (under the fixing)		m

SCALE: M 1:2.5

DOOR 02

Trimo Group holds full copyrights on the information and details provided on this media, therefore any unauthorized reproduction and distribution is strictly prohibited.

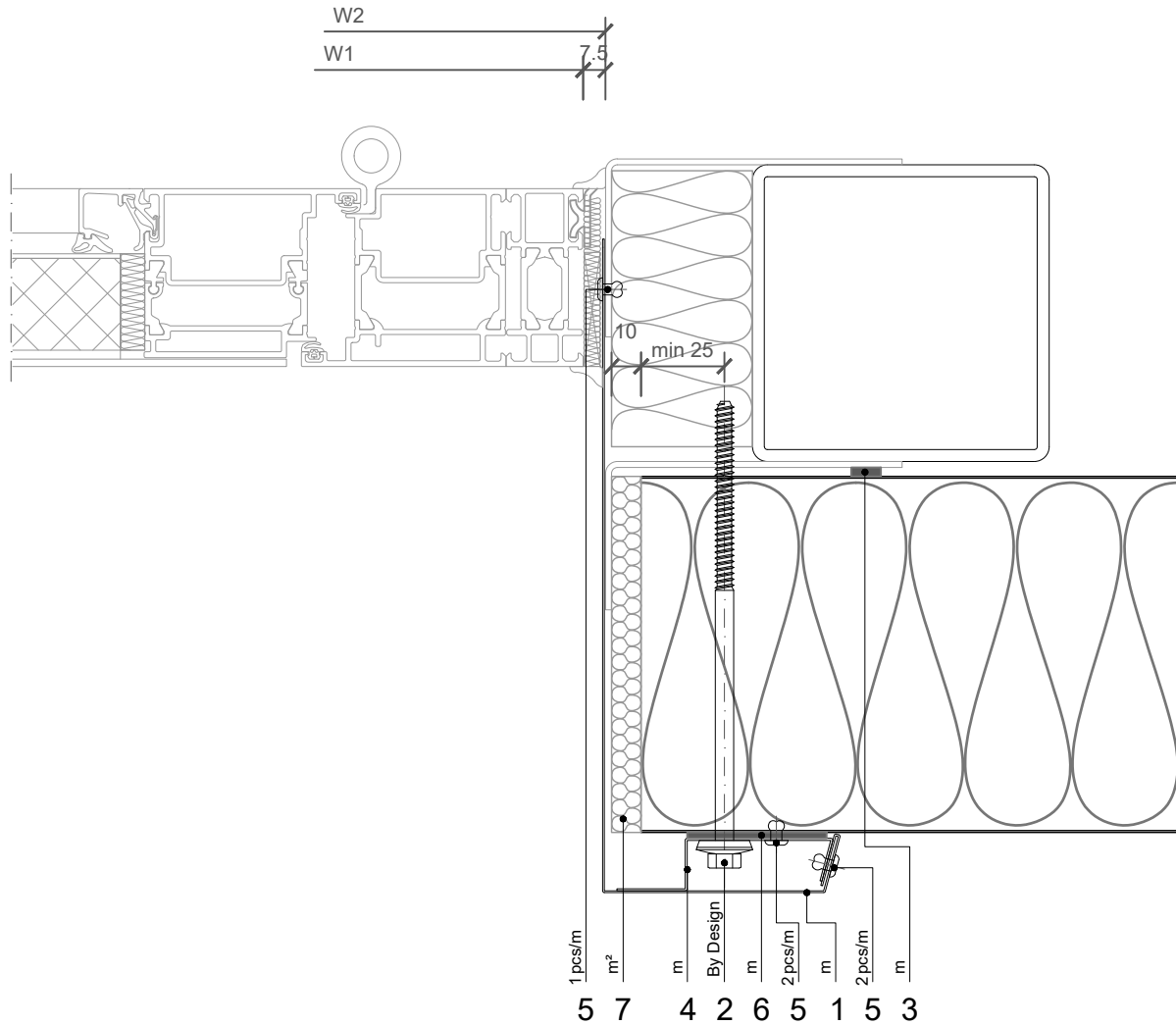
HORIZONTAL INSTALLATION

TRIMOTERM FTV

BUILDING APPLICATION

- External Facade
- Internal Wall
- Roof
- External Soffit
- Internal Ceiling
- Backing panel

HORIZONTAL CUT - JAMB



NOTES

- Apply mastic seal (acc. **TE-H-01.01 - ELEMENTS 01**)
- Door installation according project requirement - not Trimo d.o.o. scope

POS	CODE	ELEMENT	AMOUNT	UNIT
1	O545	Jamb flashing	dwg	
2	V130	Fixing screw	By Design	
3	30006985	Self adhesive sealing tape 5x10xL		m
4	O078	Flashing support	dwg	
5	K001	Rivet 4xL		pcs
6	5012487	Self adhesive sealing tape EPDM 2x47x100 (under the fixing)		m
7	30027144	Thermal insulation		m²

SCALE: M 1:2.5

DOOR 03

Trimo Group holds full copyrights on the information and details provided on this media, therefore any unauthorized reproduction and distribution is strictly prohibited.

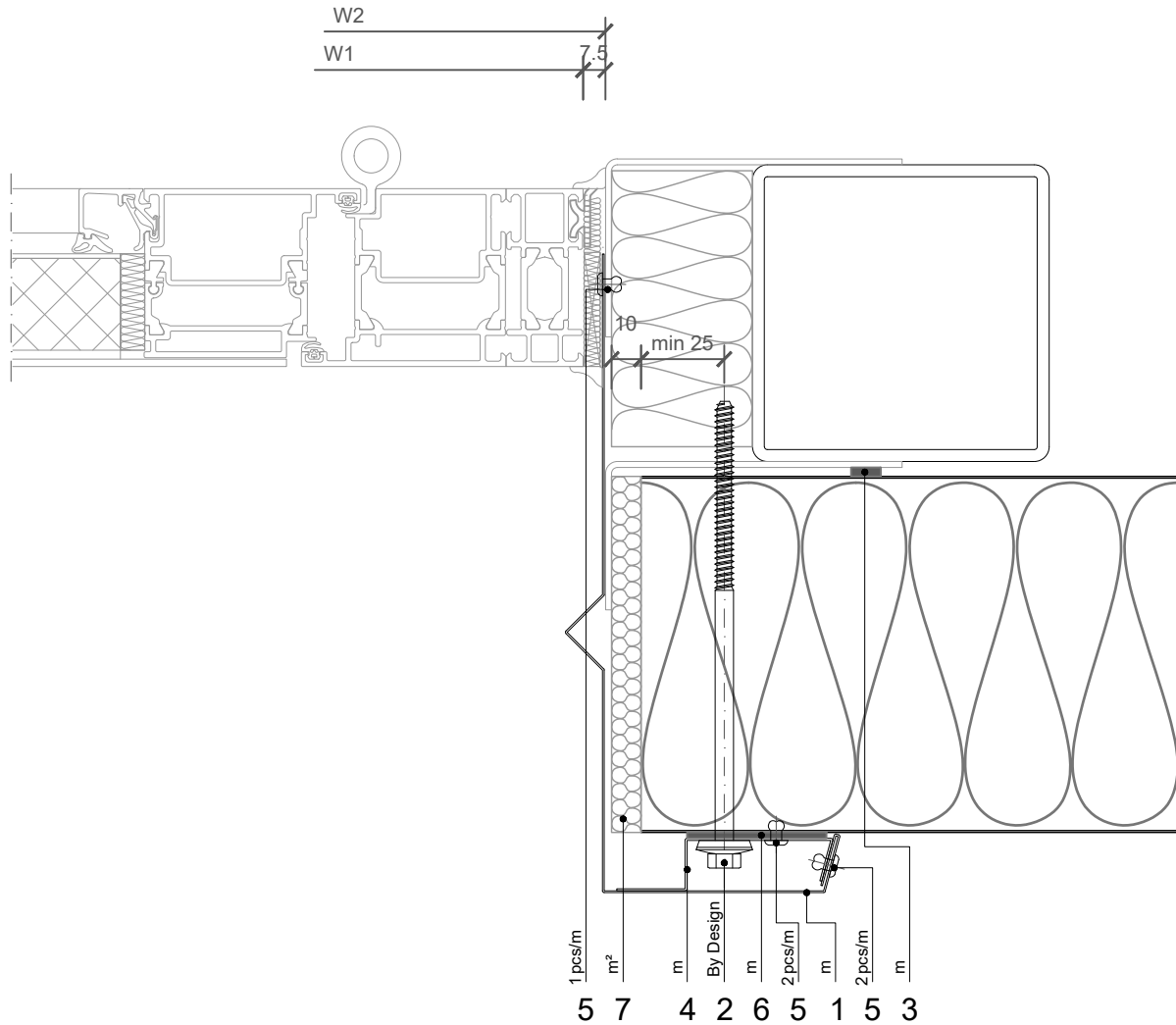
HORIZONTAL INSTALLATION

TRIMOTERM FTV

BUILDING APPLICATION

- External Facade
- Internal Wall
- Roof
- External Soffit
- Internal Ceiling
- Backing panel

HORIZONTAL CUT - JAMB



NOTES

- Apply mastic seal (acc. **TE-H-01.01 - ELEMENTS 01**)
- Door installation according project requirement - not Trimo d.o.o. scope

POS	CODE	ELEMENT	AMOUNT	UNIT
1	O1736	Jamb flashing	dwg	
2	V130	Fixing screw	By Design	
3	30006985	Self adhesive sealing tape 5x10xL		m
4	O078	Flashing support	dwg	
5	K001	Rivet 4xL		pcs
6	5012487	Self adhesive sealing tape EPDM 2x47x100 (under the fixing)		m
7	30027144	Thermal insulation		m²

SCALE: M 1:2.5

DOOR 04

Trimo Group holds full copyrights on the information and details provided on this media, therefore any unauthorized reproduction and distribution is strictly prohibited.

DOOR DIMENSIONS - SCHEMATIC

H ... DOOR VERTICAL DIMENSIONS

W ... DOOR HORIZONTAL DIMENSIONS

H1, W1 ... DOOR OPENING DIMENSIONS

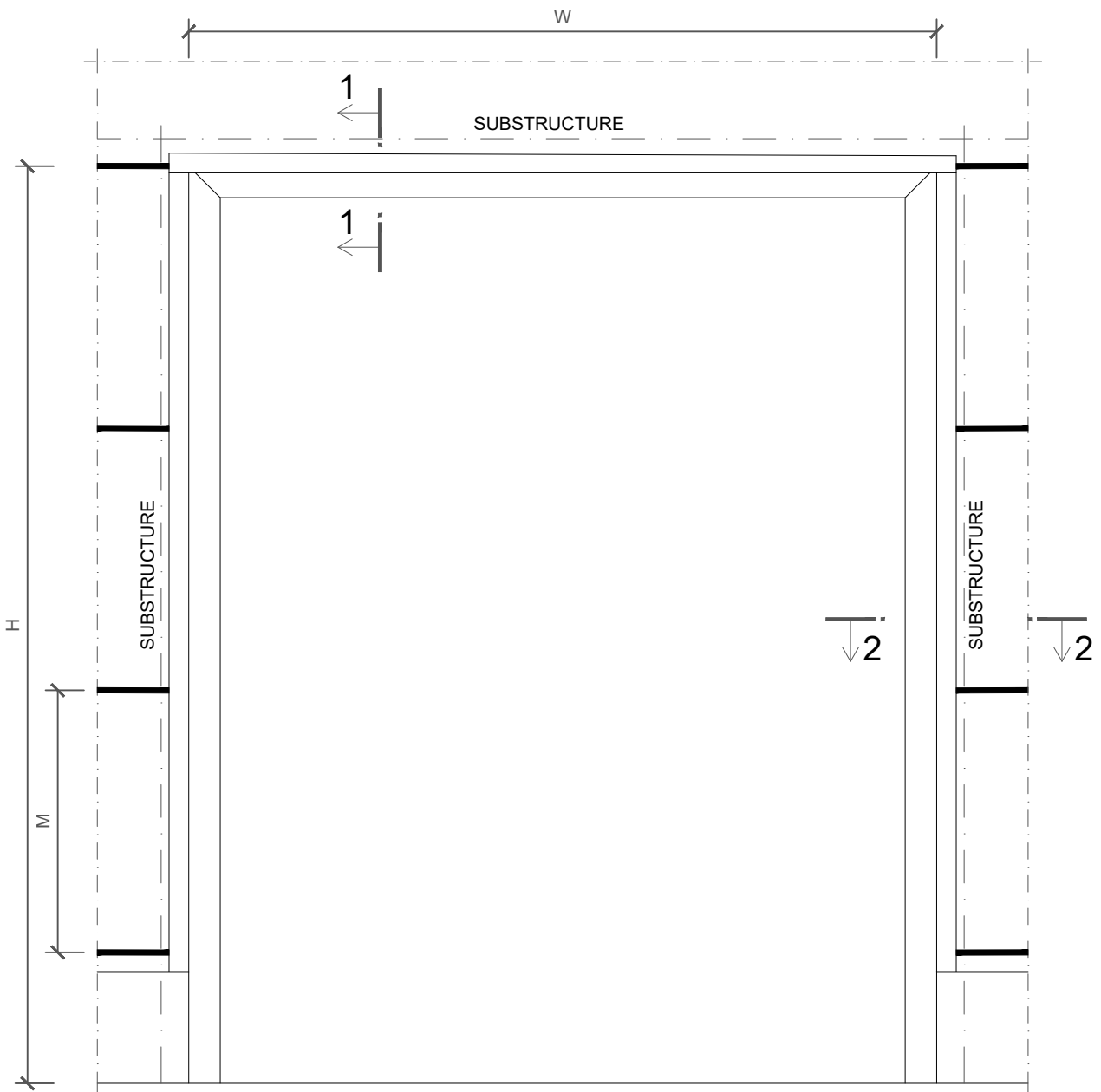
H2, W2 ... DOOR CLEAR DIMENSIONS

H2-H1= 7.5 mm; W2-W1 = 15 mm

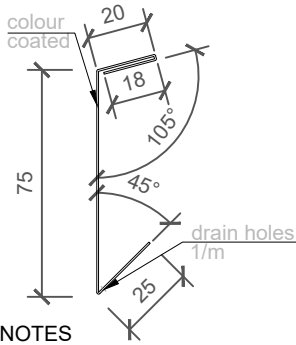
M ... PANEL MODULE

1-1 ... VERTICAL CUT

2-2 ... HORIZONTAL CUT



ELEMENT_ O076_Drip flashing mask

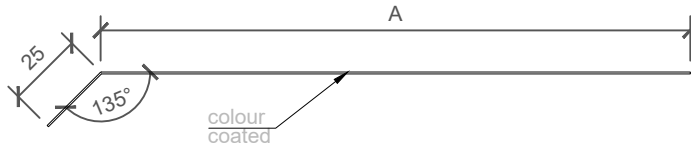


REFERENCE	
COLOUR	
LENGTH	
PIECES	

NOTES

material: Colored metal sheet
 thickness [mm]: 0,6
 sheet width [mm]: 138
 folds: 4
 Lmax [mm] = 6000

ELEMENT_ O1741_Drip flashing - head

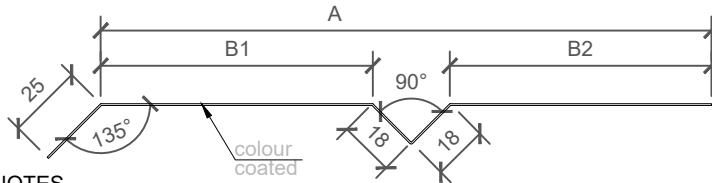


NOTES

material: Colored metal sheet
 thickness [mm]: 0,6
 sheet width [mm]: A+25
 folds: 1
 Lmax [mm] = 6000
 A<200 mm

REFERENCE	
COLOUR	
A	0
SHEET WIDTH	25
LENGTH	
PIECES	

ELEMENT_ O1746_Drip flashing - head

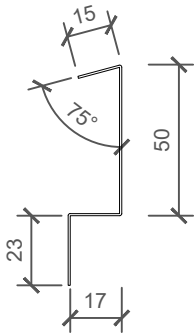


NOTES

material: Colored metal sheet
 thickness [mm]: 0,6
 sheet width [mm]: A+35
 folds: 4
 Lmax [mm] = 6000
 A>200 mm

REFERENCE	
COLOUR	
A	0
B1	
B2	
SHEET WIDTH	35
LENGTH	
PIECES	

ELEMENT_ O078_Flashing support

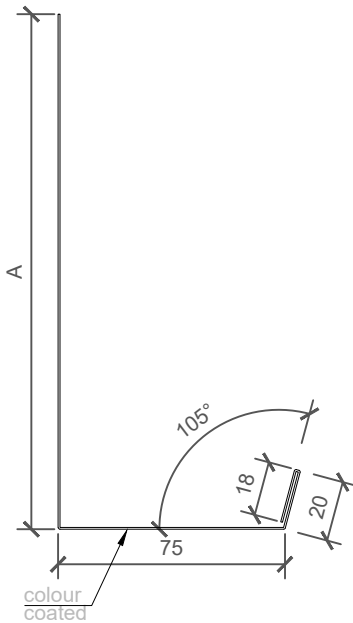


REFERENCE	
LENGTH	
PIECES	

NOTES

material: Galvanized metal sheet
 thickness [mm]: 0,7
 sheet width [mm]: 105
 folds: 3
 Lmax [mm] = 6000

ELEMENT_ O545_Jamb flashing

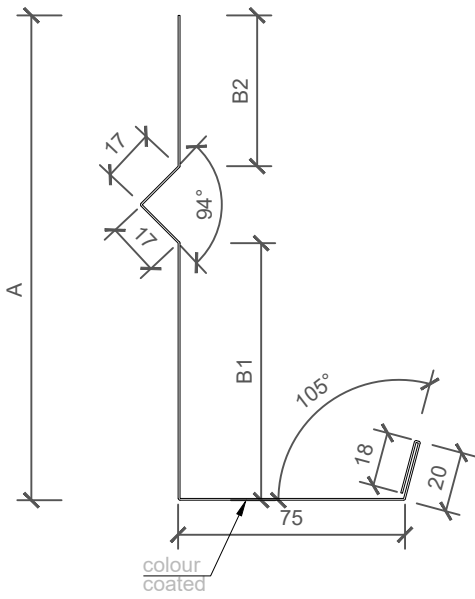


REFERENCE	
COLOUR	
A	0
SHEET WIDTH	113
LENGTH	
PIECES	

NOTES

material: Colored metal sheet
 thickness [mm]: 0,6
 sheet width [mm]: A+113
 folds: 4
 Lmax [mm] = 6000
 A<200 mm

ELEMENT_O1736_Jamb flashing



REFERENCE	
COLOUR	
A	0
B1	
B2	
SHEET WIDTH	123
LENGTH	
PIECES	

NOTES
 material: Colored metal sheet
 thickness [mm]: 0,6
 sheet width [mm]: A+123
 folds: 7
 Lmax [mm] = 6000
 A>200 mm

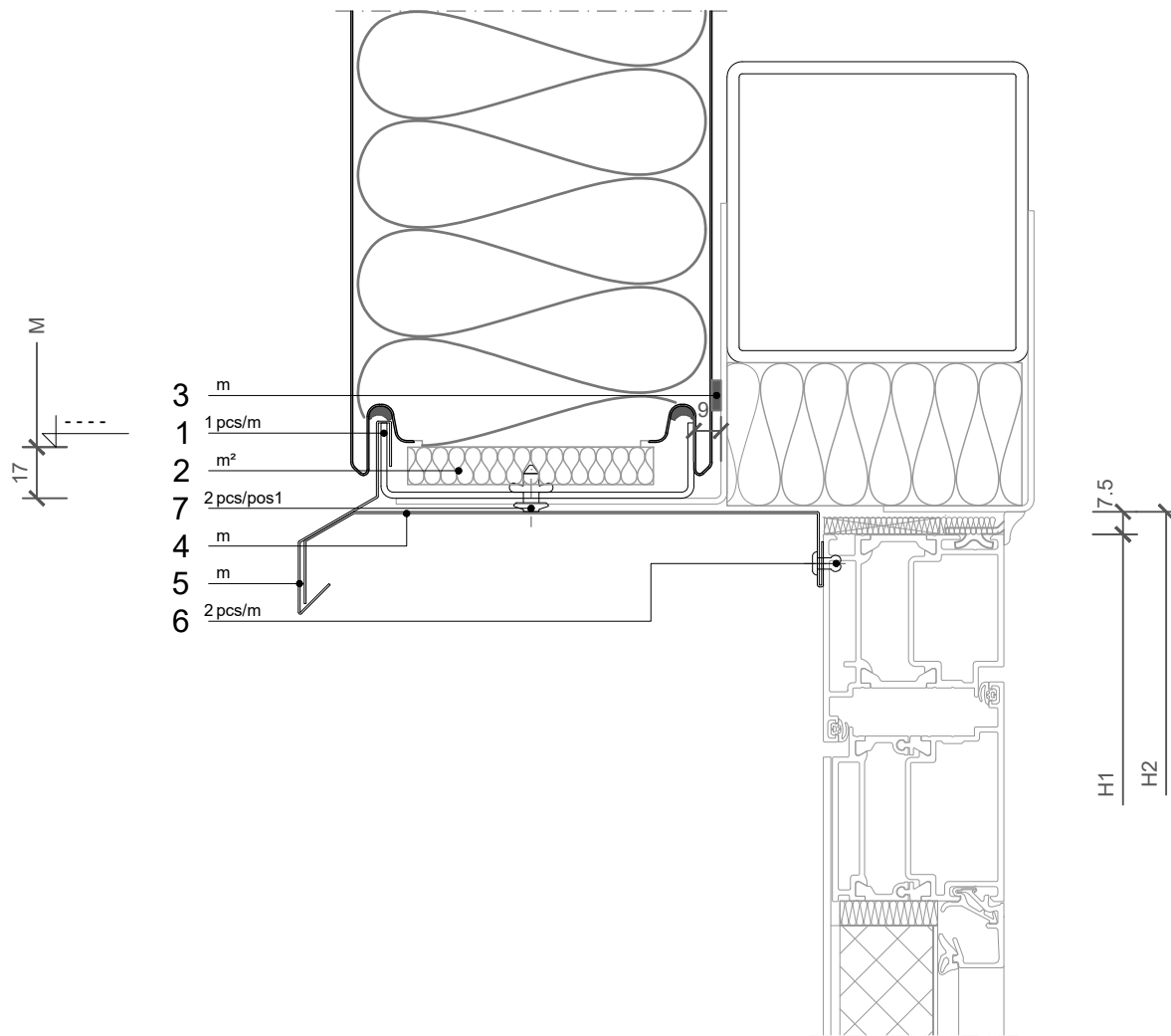
HORIZONTAL INSTALLATION

TRIMOTERM FTV

BUILDING APPLICATION

- External Facade
- Internal Wall
- Roof
- External Soffit
- Internal Ceiling
- Backing panel

VERTICAL CUT - HEAD



NOTES

- Door installation according to project requirements - not Trimo d.o.o. scope

POS	CODE	ELEMENT	AMOUNT	UNIT
1	N005	Panel support profile	dwg	
2	30027144	Thermal insulation		m ²
3	30006985	Self adhesive sealing tape 5x10xL		m
4	O1740	Drip flashing mask	dwg	
5	O103	Drip flashing	dwg	
6	K001	Rivet 4xL		pcs
7	K011	Bulb tite rivet 5,2xL		pcs

SCALE: M 1:2.5

DOOR 01

Trimo Group holds full copyrights on the information and details provided on this media, therefore any unauthorized reproduction and distribution is strictly prohibited.

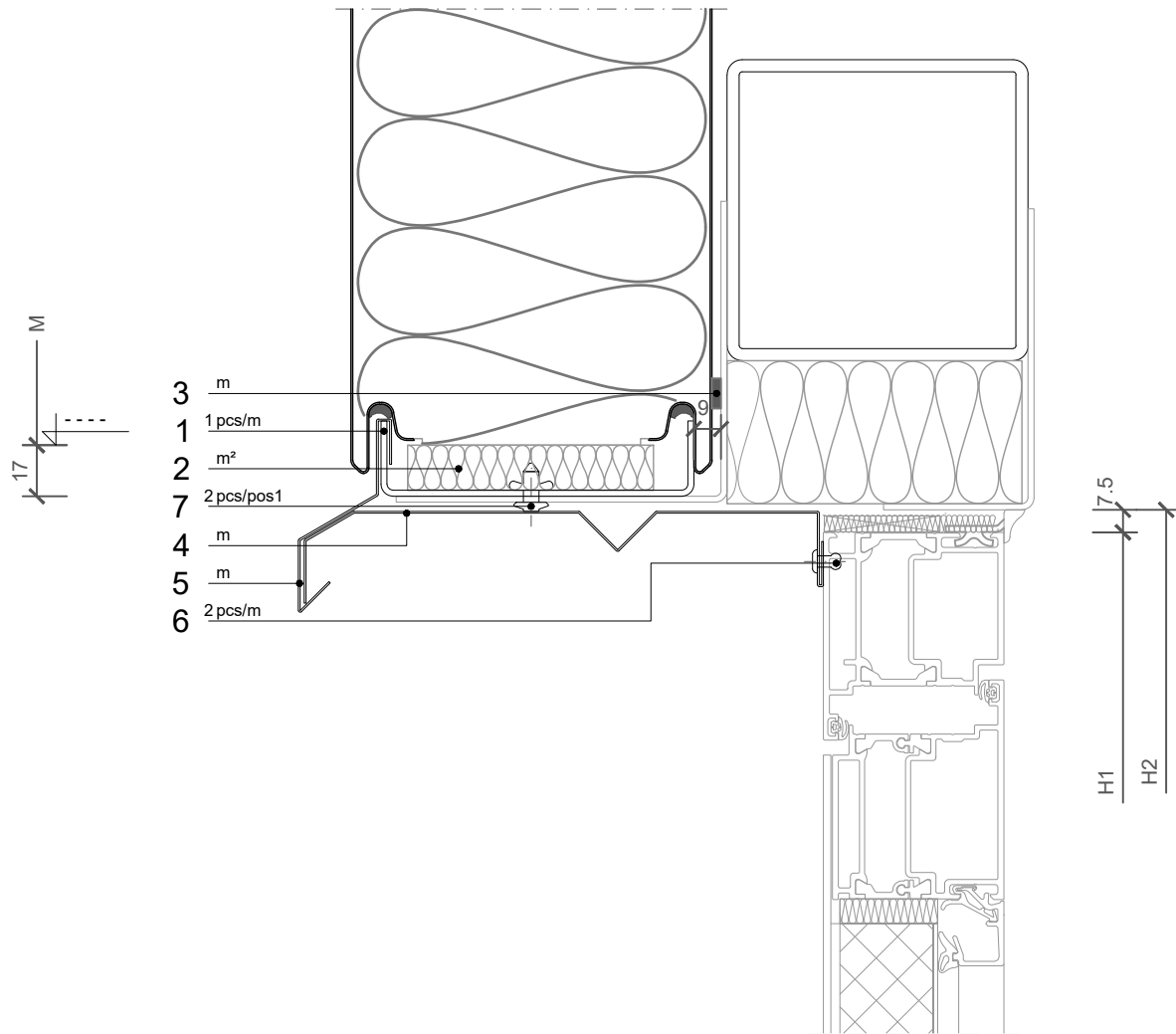
HORIZONTAL INSTALLATION

TRIMOTERM FTV

BUILDING APPLICATION

- External Facade
- Internal Wall
- Roof
- External Soffit
- Internal Ceiling
- Backing panel

VERTICAL CUT - HEAD



NOTES

- Door installation according to project requirements - not Trimo d.o.o. scope

POS	CODE	ELEMENT	AMOUNT	UNIT
1	N005	Panel support profile	dwg	
2	30027144	Thermal insulation		m ²
3	30006985	Self adhesive sealing tape 5x10xL		m
4	O1745	Drip flashing mask	dwg	
5	O103	Drip flashing	dwg	
6	K001	Rivet 4xL		pcs
7	K011	Bulb tite rivet 5,2xL		pcs

SCALE: M 1:2.5

DOOR 02

Trimo Group holds full copyrights on the information and details provided on this media, therefore any unauthorized reproduction and distribution is strictly prohibited.

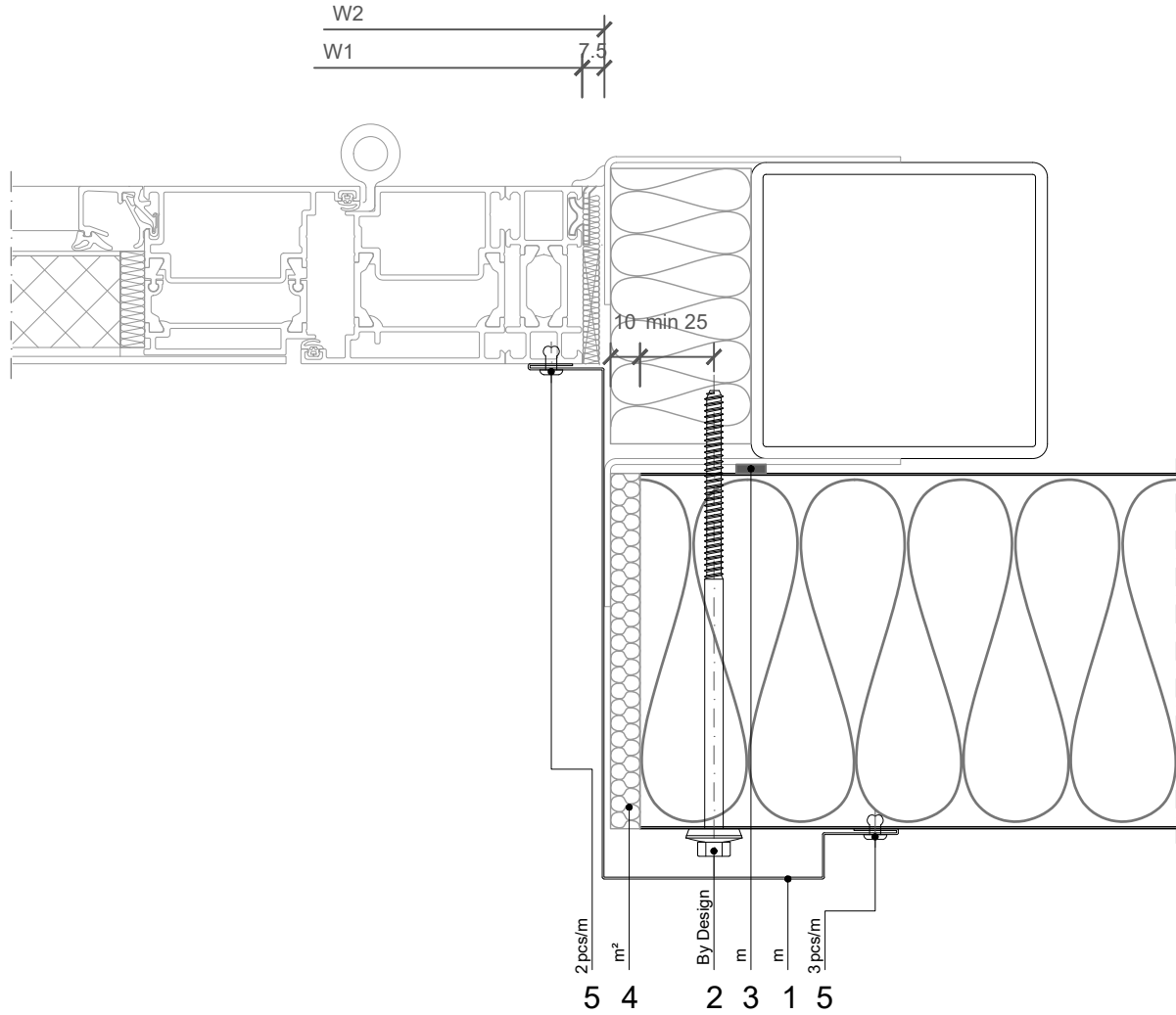
HORIZONTAL INSTALLATION

TRIMOTERM FTV

BUILDING APPLICATION

- External Facade
- Internal Wall
- Roof
- External Soffit
- Internal Ceiling
- Backing panel

HORIZONTAL CUT - JAMB



NOTES

- Apply mastic seal (acc. TE-H-01.01 - ELEMENTS 01)
- Door installation according project requirement - not Trimo d.o.o. scope

POS	CODE	ELEMENT	AMOUNT	UNIT
1	O109	Jamb flashing	dwg	
2	V130	Fixing screw	By Design	
3	30006985	Self adhesive sealing tape 5x10xL		m
4	30027144	Thermal insulation		m ²
5	K001	Rivet 4xL		pcs

SCALE: M 1:2.5

DOOR 03

Trimo Group holds full copyrights on the information and details provided on this media, therefore any unauthorized reproduction and distribution is strictly prohibited.

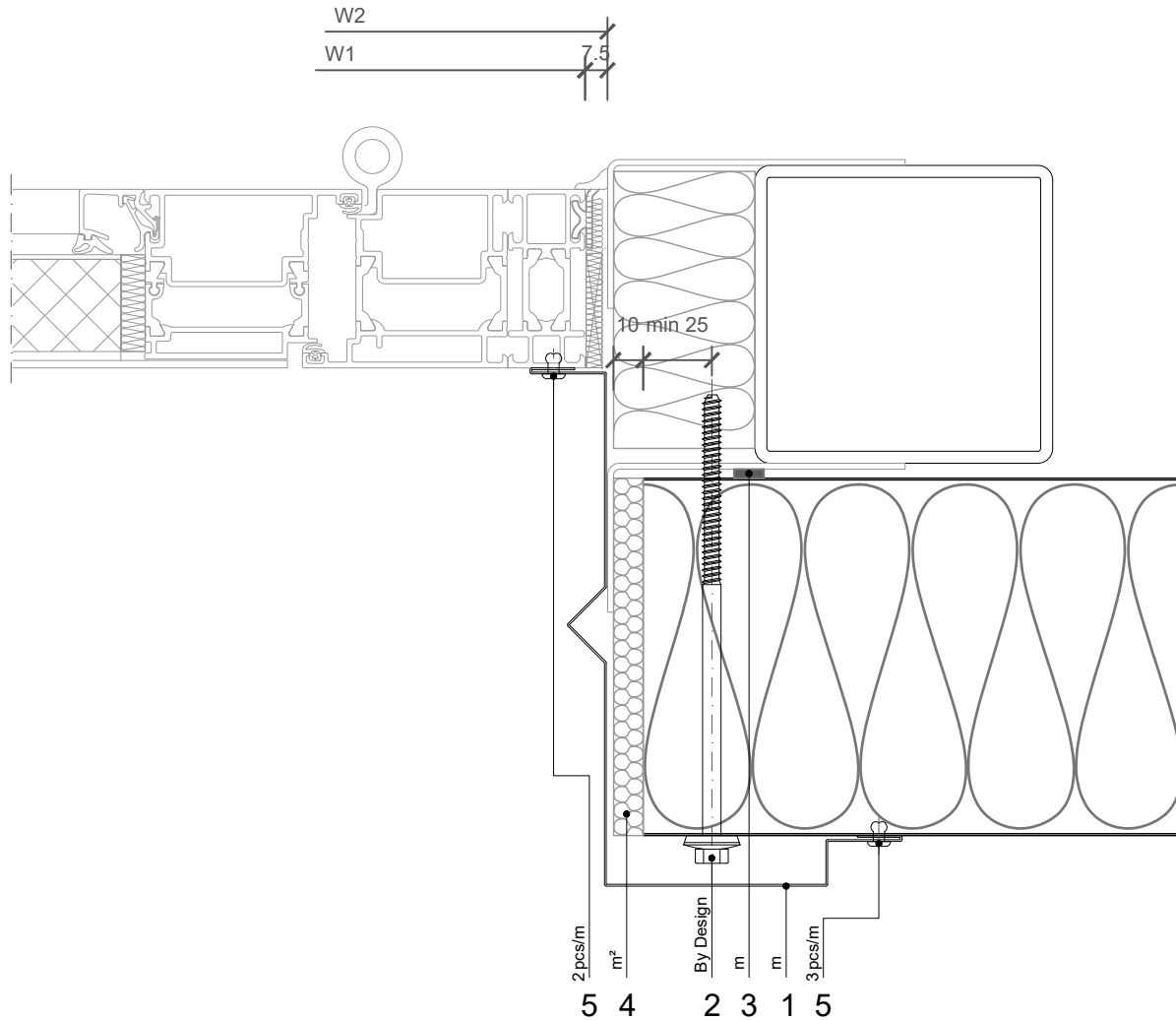
HORIZONTAL INSTALLATION

TRIMOTERM FTV

BUILDING APPLICATION

- External Facade
- Internal Wall
- Roof
- External Soffit
- Internal Ceiling
- Backing panel

HORIZONTAL CUT - JAMB



NOTES

- Apply mastic seal (acc. **TE-H-01.01 - ELEMENTS 01**)
- Door installation according project requirement - not Trimo d.o.o. scope

POS	CODE	ELEMENT	AMOUNT	UNIT
1	O1735	Jamb flashing	dwg	
2	V130	Fixing screw	By Design	
3	30006985	Self adhesive sealing tape 5x10xL		m
4	30027144	Thermal insulation		m ²
5	K001	Rivet 4xL		pcs

SCALE: M 1:2.5

DOOR 04

Trimo Group holds full copyrights on the information and details provided on this media, therefore any unauthorized reproduction and distribution is strictly prohibited.

DOOR DIMENSIONS - SCHEMATIC

H ... DOOR VERTICAL DIMENSIONS

W ... DOOR HORIZONTAL DIMENSIONS

H1, W1 ... DOOR OPENING DIMENSIONS

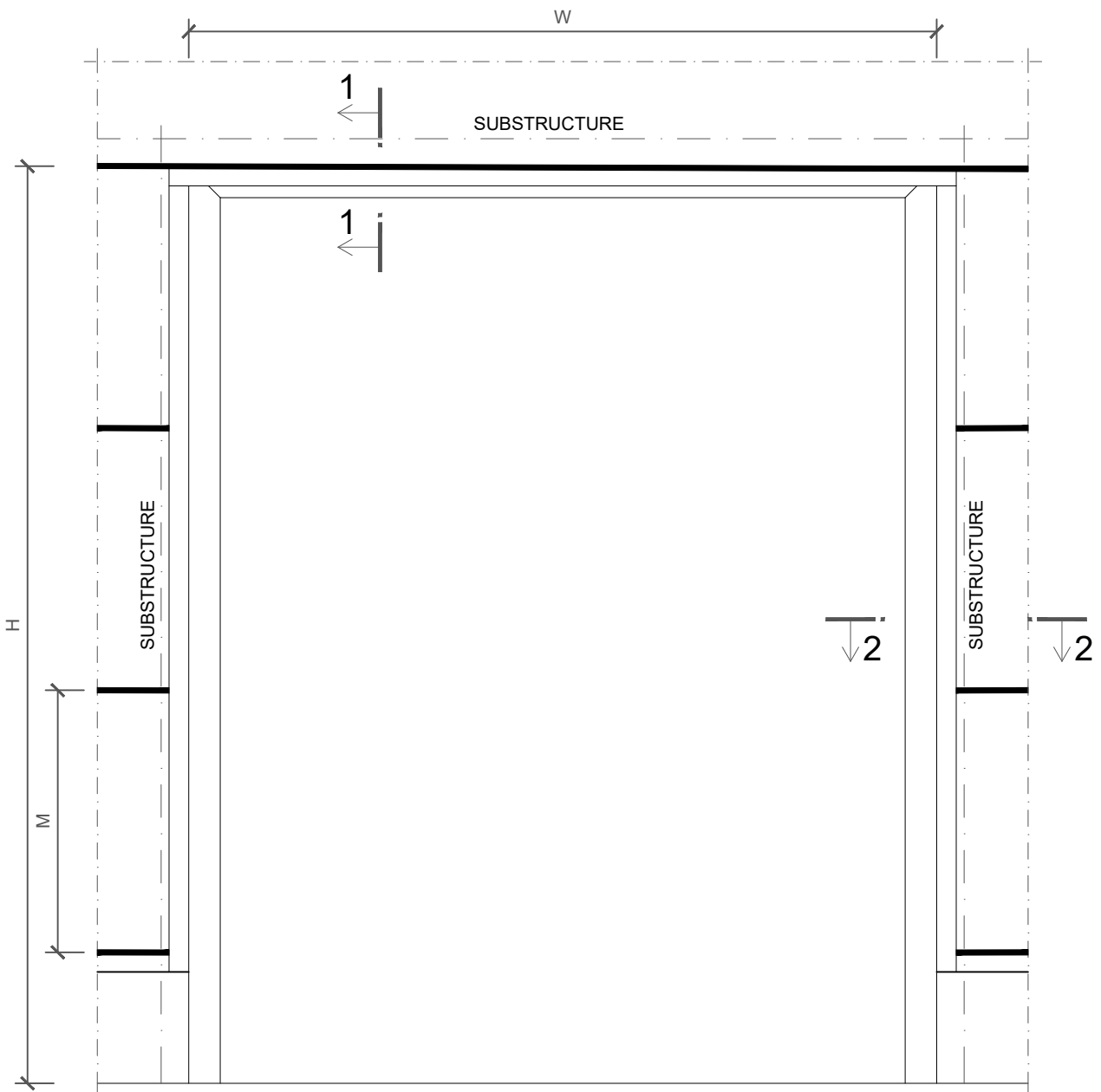
H2, W2 ... DOOR CLEAR DIMENSIONS

H2-H1= 7.5 mm; W2-W1 = 15 mm

M ... PANEL MODULE

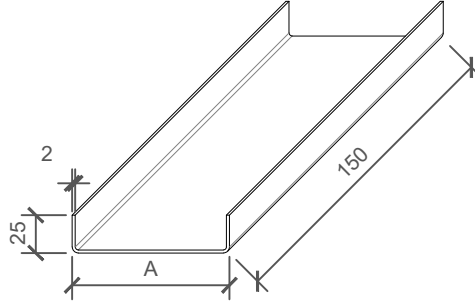
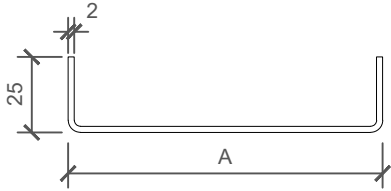
1-1 ... VERTICAL CUT

2-2 ... HORIZONTAL CUT



ELEMENT_ N005_Panel support profile

PANEL THICKNESS	50	60	80	100	120	133	150	172	200	240	250
CODE	N0001	N0002	N0003	N0004	N0005	N0006	N0007	N0008	N0009	N0010	N0011
A	34	44	64	84	104	117	134	156	184	224	234
STEEL SHEET WIDTH	76	86	106	126	146	159	176	198	226	266	276

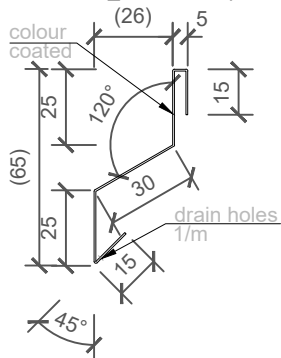


REFERENCE	
A	0
SHEET WIDTH	42
PIECES	

NOTES

material: Zinc - coated metal sheet
 thickness [mm]: 2
 sheet width [mm]: 42+A
 folds: 2
 L [mm] = 150

ELEMENT_ O103_Drip flashing

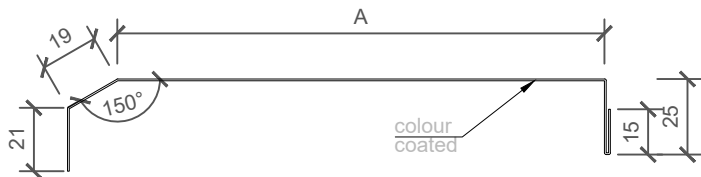


REFERENCE	
COLOUR	
LENGTH	
PIECES	

NOTES

material: Colored metal sheet
 thickness [mm]: 0,6
 sheet width [mm]: 115
 folds: 5
 Lmax [mm] = 6000

ELEMENT_O1740_Drip flashing mask

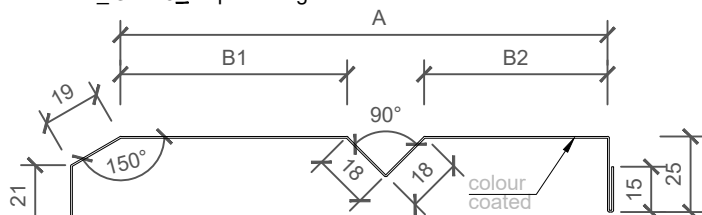


REFERENCE	
COLOUR	
A	0
SHEET WIDTH	80
LENGTH	
PIECES	

NOTES

material: Colored metal sheet
 thickness [mm]: 0,6
 sheet width [mm]: A+80
 folds: 5
 Lmax [mm] = 6000
 A<200 mm

ELEMENT_O1745_Drip flashing mask

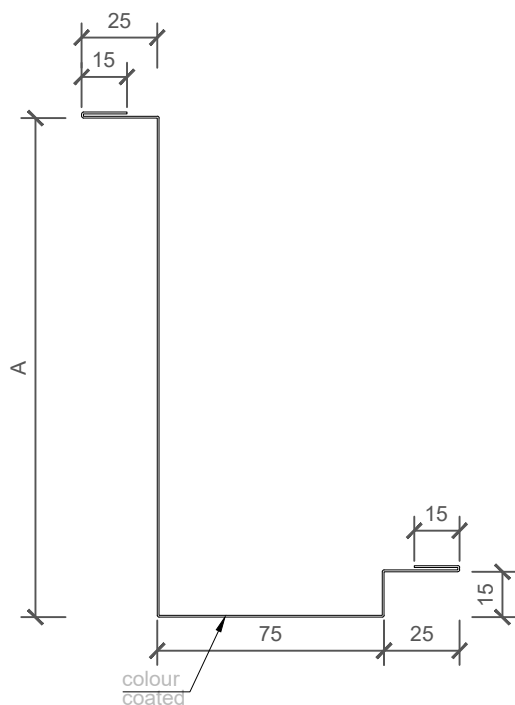


REFERENCE	
COLOUR	
A	0
B1	
B2	
SHEET WIDTH	90
LENGTH	
PIECES	

NOTES

material: Colored metal sheet
 thickness [mm]: 0,6
 sheet width [mm]: A+90
 folds: 8
 Lmax [mm] = 6000
 A>200 mm

ELEMENT_O109_Jamb flashing

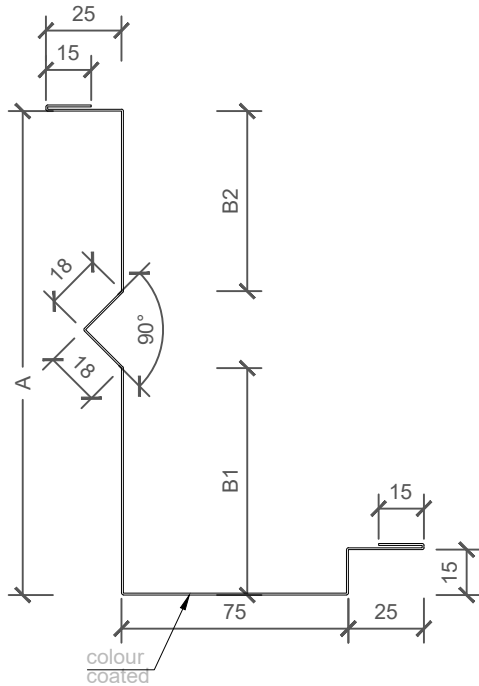


REFERENCE	
COLOUR	
A	0
SHEET WIDTH	170
LENGTH	
PIECES	

NOTES

material: Colored metal sheet
 thickness [mm]: 0,6
 sheet width [mm]: A+170
 folds: 8
 Lmax [mm] = 6000
 A<200 mm

ELEMENT_O1735_Jamb flashing



REFERENCE	
COLOUR	
A	0
B1	
B2	
SHEET WIDTH	180
LENGTH	
PIECES	

- NOTES**
- material: Colored metal sheet
 - thickness [mm]: 0,6
 - sheet width [mm]: A+180
 - fold: 11
 - Lmax [mm] = 6000
 - A > 200 mm

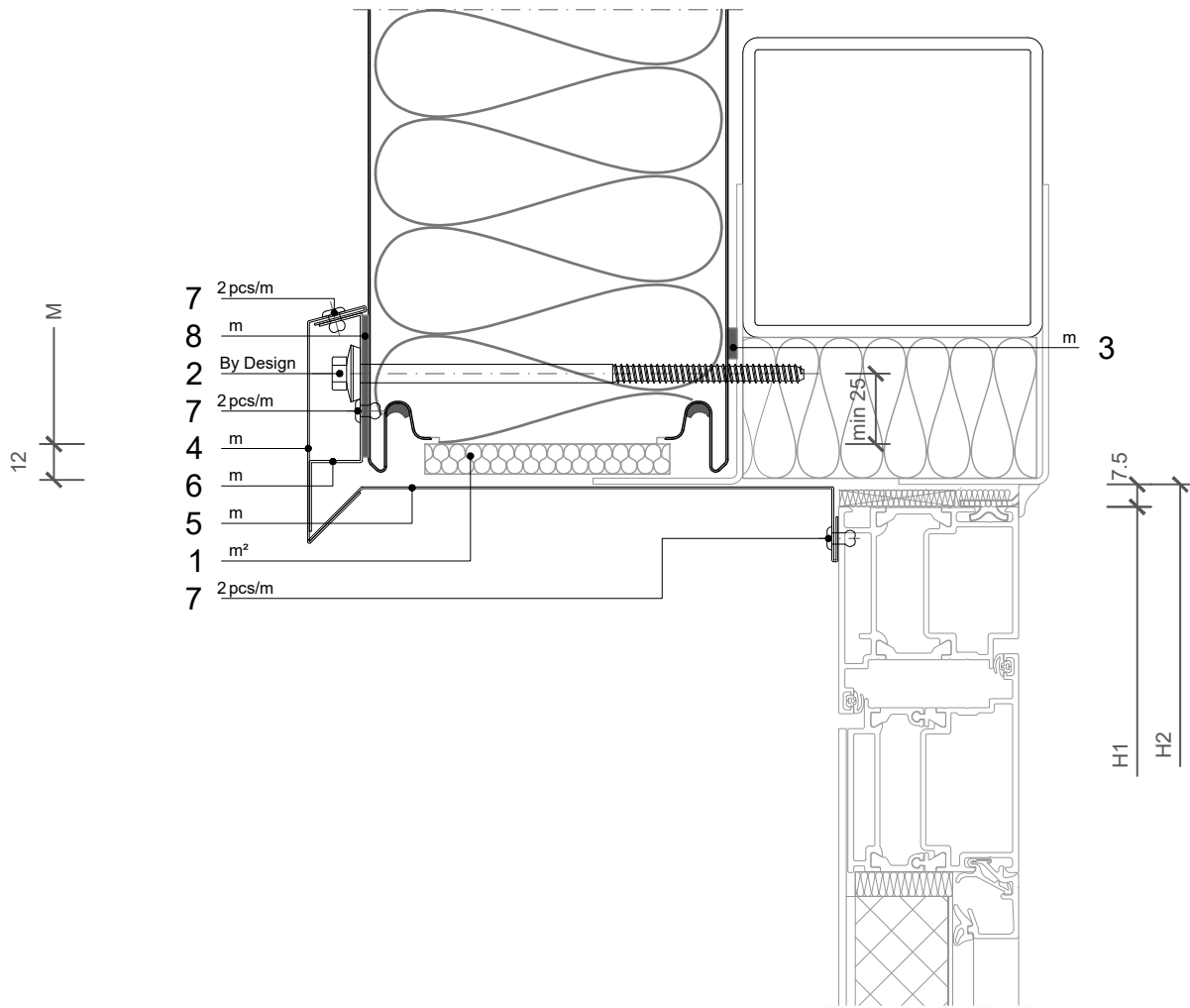
HORIZONTAL INSTALLATION

TRIMOTERM FTV

BUILDING APPLICATION

- External Facade
- Internal Wall
- Roof
- External Soffit
- Internal Ceiling
- Backing panel

VERTICAL CUT - HEAD



NOTES

- Door installation according project requirement - not Trimo d.o.o. scope

POS	CODE	ELEMENT	AMOUNT	UNIT
1	30027144	Thermal insulation		m ²
2	V130	Fixing screw	By Design	
3	30006985	Self adhesive sealing tape 5x10xL		m
4	O076	Drip flashing mask	dwg	
5	O1742	Drip flashing - head	dwg	
6	O078	Drip Flashing support	dwg	
7	K001	Rivet 4xL		pcs
8	5012487	Self adhesive sealing tape EPDM 2x47x100 (under the fixing)		m

SCALE: M 1:2.5

DOOR 01

Trimo Group holds full copyrights on the information and details provided on this media, therefore any unauthorized reproduction and distribution is strictly prohibited.

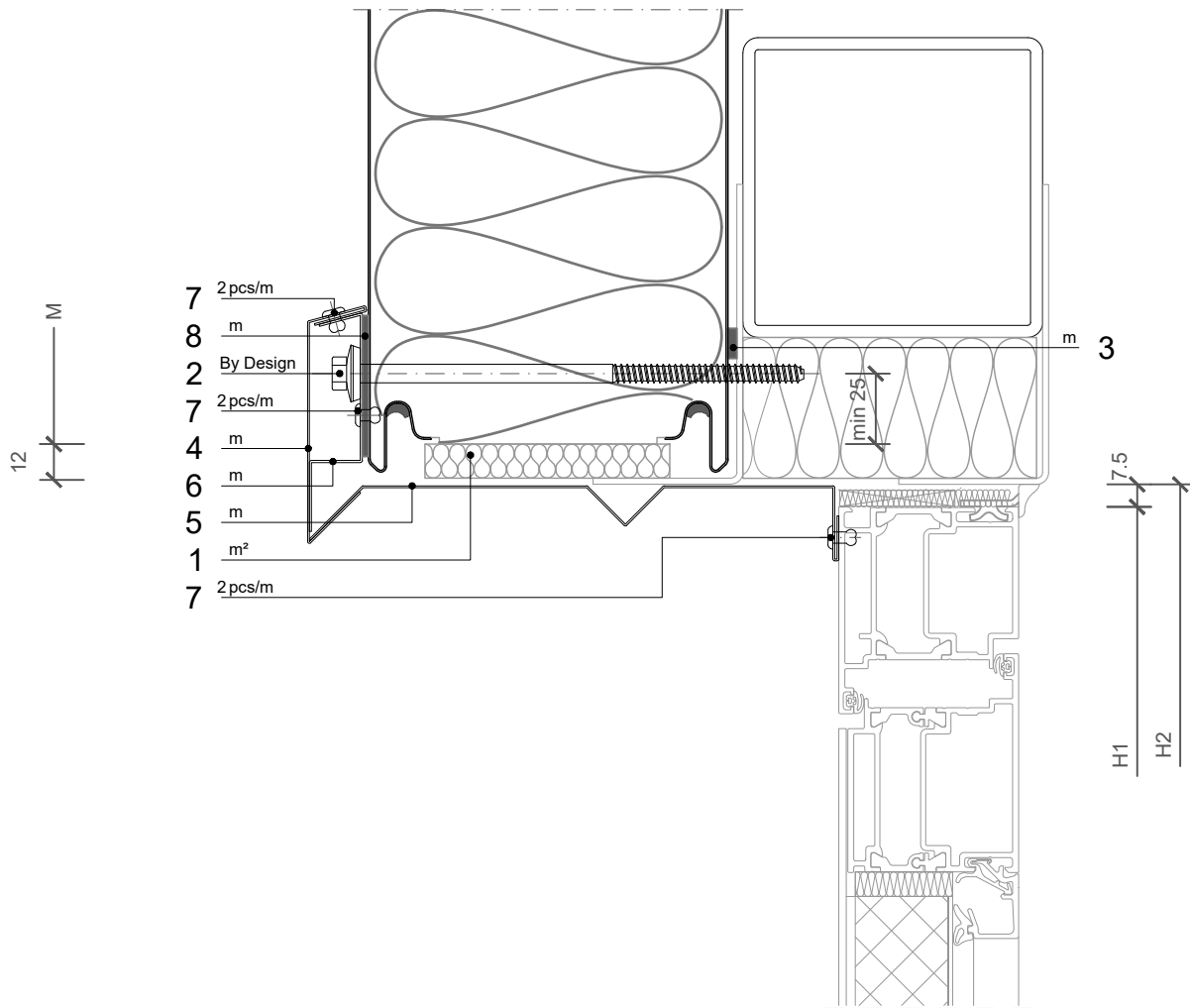
HORIZONTAL INSTALLATION

TRIMOTERM FTV

BUILDING APPLICATION

- External Facade
- Internal Wall
- Roof
- External Soffit
- Internal Ceiling
- Backing panel

VERTICAL CUT - HEAD



NOTES

- Door installation according project requirement - not Trimo d.o.o. scope

POS	CODE	ELEMENT	AMOUNT	UNIT
1	30027144	Thermal insulation		m ²
2	V130	Fixing screw	By Design	
3	30006985	Self adhesive sealing tape 5x10xL		m
4	O076	Drip flashing mask	dwg	
5	O1747	Drip flashing - head	dwg	
6	O078	Drip Flashing support	dwg	
7	K001	Rivet 4xL		pcs
8	5012487	Self adhesive sealing tape EPDM 2x47x100 (under the fixing)		m

SCALE: M 1:2.5

DOOR 02

Trimo Group holds full copyrights on the information and details provided on this media, therefore any unauthorized reproduction and distribution is strictly prohibited.

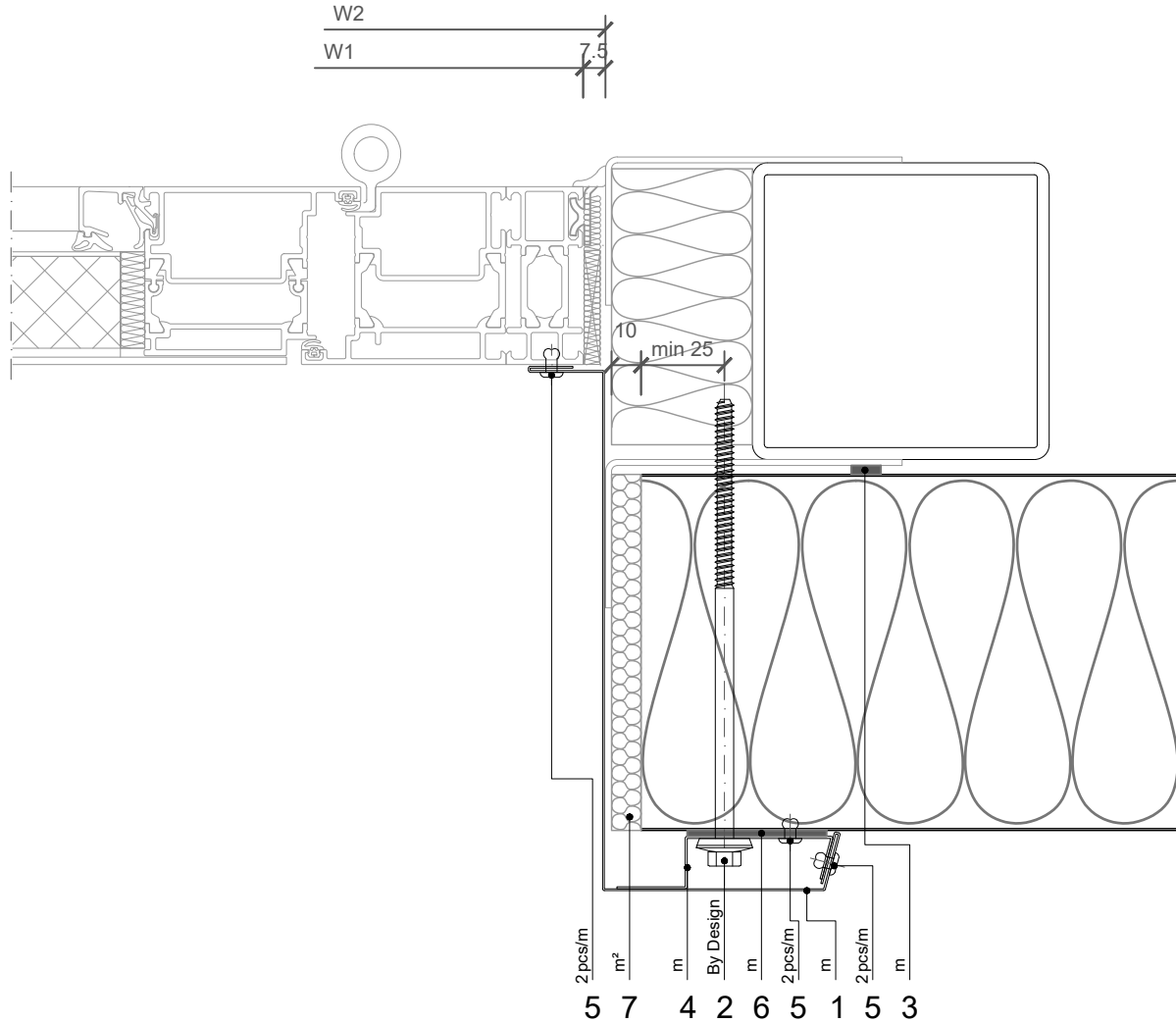
HORIZONTAL INSTALLATION

TRIMOTERM FTV

BUILDING APPLICATION

- External Facade
- Internal Wall
- Roof
- External Soffit
- Internal Ceiling
- Backing panel

HORIZONTAL CUT - JAMB



NOTES

- Apply mastic seal (acc. **TE-H-01.01 - ELEMENTS 01**)
- Door installation according project requirement - not Trimo d.o.o. scope

POS	CODE	ELEMENT	AMOUNT	UNIT
1	O111	Jamb flashing	dwg	
2	V130	Fixing screw	By Design	
3	30006985	Self adhesive sealing tape 5x10xL		m
4	O078	Flashing support	dwg	
5	K001	Rivet 4xL		pcs
6	5012487	Self adhesive sealing tape EPDM 2x47x100 (under the fixing)		m
7	30027144	Thermal insulation		m ²

SCALE: M 1:2.5

DOOR 03

Trimo Group holds full copyrights on the information and details provided on this media, therefore any unauthorized reproduction and distribution is strictly prohibited.

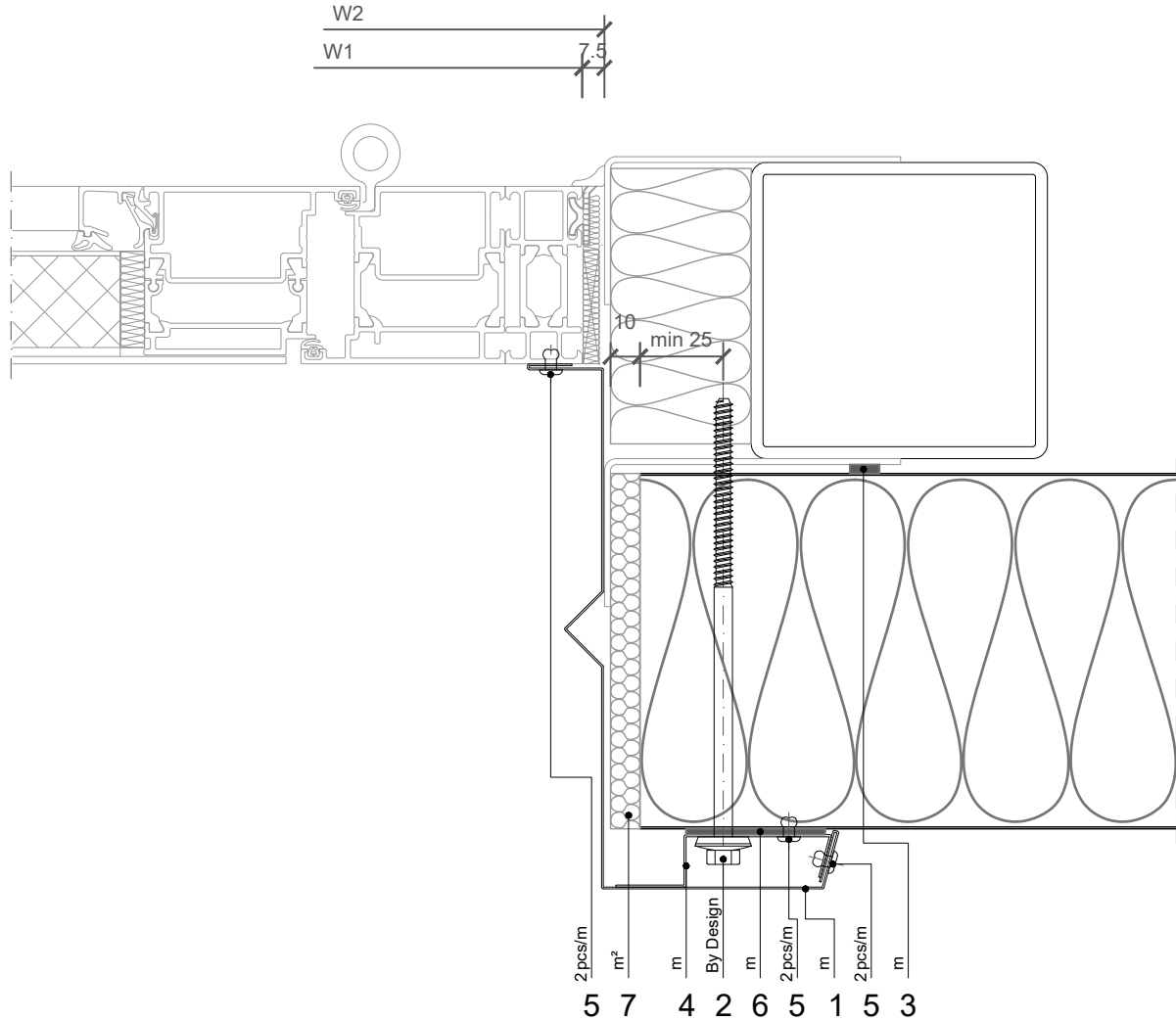
HORIZONTAL INSTALLATION

TRIMOTERM FTV

BUILDING APPLICATION

- External Facade
- Internal Wall
- Roof
- External Soffit
- Internal Ceiling
- Backing panel

HORIZONTAL CUT - JAMB



NOTES

- Apply mastic seal (acc. **TE-H-01.01 - ELEMENTS 01**)
- Door installation according project requirement - not Trimo d.o.o. scope

POS	CODE	ELEMENT	AMOUNT	UNIT
1	O1737	Jamb flashing	dwg	
2	V130	Fixing screw	By Design	
3	30006985	Self adhesive sealing tape 5x10xL		m
4	O078	Flashing support	dwg	
5	K001	Rivet 4xL		pcs
6	5012487	Self adhesive sealing tape EPDM 2x47x100 (under the fixing)		m
7	30027144	Thermal insulation		m²

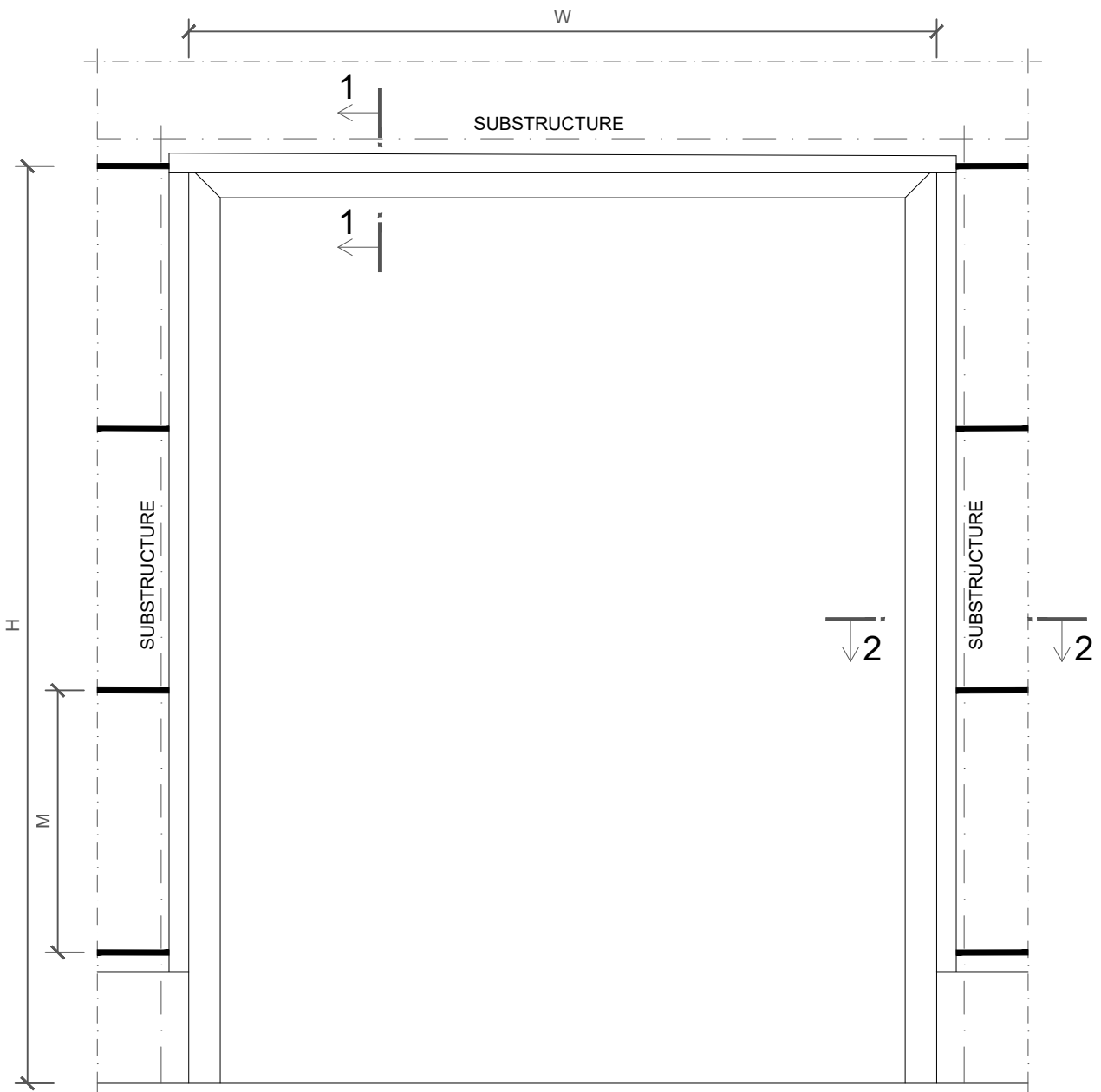
SCALE: M 1:2.5

DOOR 04

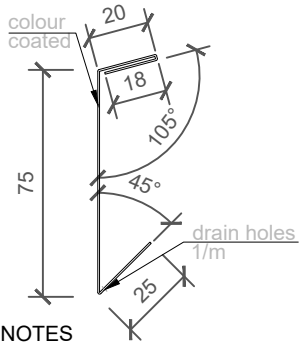
Trimo Group holds full copyrights on the information and details provided on this media, therefore any unauthorized reproduction and distribution is strictly prohibited.

DOOR DIMENSIONS - SCHEMATIC

- H ... DOOR VERTICAL DIMENSIONS
- W ... DOOR HORIZONTAL DIMENSIONS
- H1, W1 ... DOOR OPENING DIMENSIONS
- H2, W2 ... DOOR CLEAR DIMENSIONS
- H2-H1= 7.5 mm; W2-W1 = 15 mm
- M ... PANEL MODULE
- 1-1 ... VERTICAL CUT
- 2-2 ... HORIZONTAL CUT



ELEMENT_ O076_ Drip flashing mask

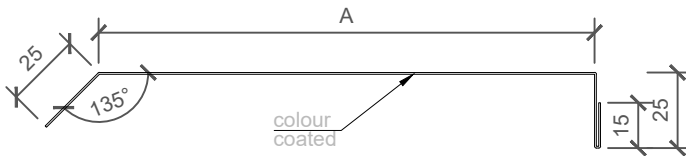


REFERENCE	
COLOUR	
LENGTH	
PIECES	

NOTES

material: Colored metal sheet
 thickness [mm]: 0,6
 sheet width [mm]: 138
 folds: 4
 Lmax [mm] = 6000

ELEMENT_ O1742_ Drip flashing - head

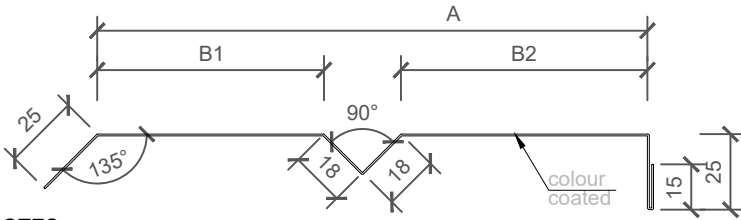


REFERENCE	
COLOUR	
A	0
SHEET WIDTH	65
LENGTH	
PIECES	

NOTES

material: Colored metal sheet
 thickness [mm]: 0,6
 sheet width [mm]: A+65
 folds: 4
 Lmax [mm] = 6000
 A < 200 mm

ELEMENT_ O1747_ Drip flashing - head

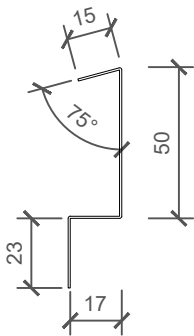


REFERENCE	
COLOUR	
A	0
B1	
B2	
SHEET WIDTH	75
LENGTH	
PIECES	

NOTES

material: Colored metal sheet
 thickness [mm]: 0,6
 sheet width [mm]: A+75
 folds: 7
 Lmax [mm] = 6000
 A>200 mm

ELEMENT_ O078_ Flashing support

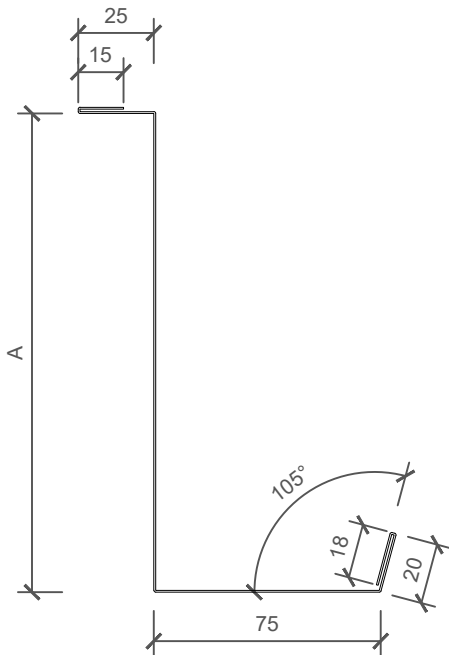


REFERENCE	
LENGTH	
PIECES	

NOTES

material: Galvanized metal sheet
 thickness [mm]: 0,7
 sheet width [mm]: 105
 folds: 3
 Lmax [mm] = 6000

ELEMENT_ O111_ Jamb flashing

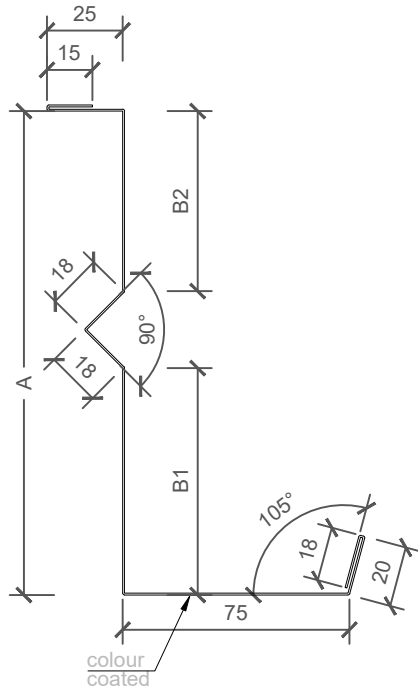


REFERENCE	
COLOUR	
A	0
SHEET WIDTH	153
LENGTH	
PIECES	

NOTES

material: Colored metal sheet
 thickness [mm]: 0,6
 sheet width [mm]: A+153
 folds: 7
 Lmax [mm] = 6000
 A<200 mm

ELEMENT_O1737_Jamb flashing



REFERENCE	
COLOUR	
A	0
B1	
B2	
SHEET WIDTH	163
LENGTH	
PIECES	

NOTES

material: Colored metal sheet
 thickness [mm]: 0,6
 sheet width [mm]: A+163
 folds: 10
 Lmax [mm] = 6000
 A>200 mm

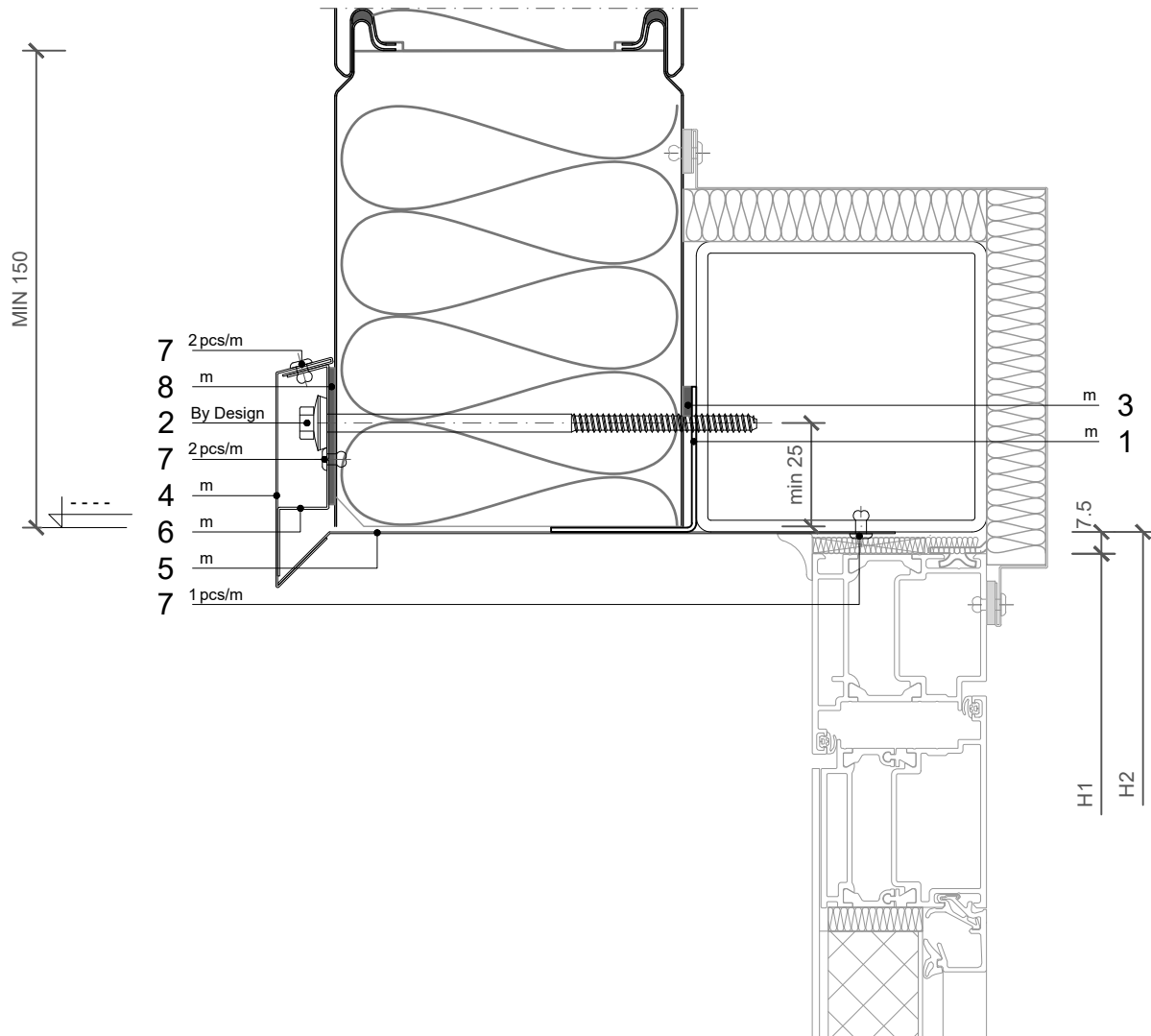
HORIZONTAL INSTALLATION

TRIMOTERM FTV

BUILDING APPLICATION

- External Facade
- Internal Wall
- Roof
- External Soffit
- Internal Ceiling
- Backing panel

VERTICAL CUT - HEAD



NOTES

- Door installation according project requirement - not Trimo d.o.o. scope

POS	CODE	ELEMENT	AMOUNT	UNIT
1	N068	Support profile	dwg	
2	V130	Fixing screw	By Design	
3	30006985	Self adhesive sealing tape 5x10xL		m
4	O076	Drip flashing mask	dwg	
5	O1741	Drip flashing - head	dwg	
6	O078	Drip Flashing support	dwg	
7	K001	Rivet 4xL		pcs
8	5012487	Self adhesive sealing tape EPDM 2x47x100 (under the fixing)		m

SCALE: M 1:2.5

DOOR 01

Trimo Group holds full copyrights on the information and details provided on this media, therefore any unauthorized reproduction and distribution is strictly prohibited.

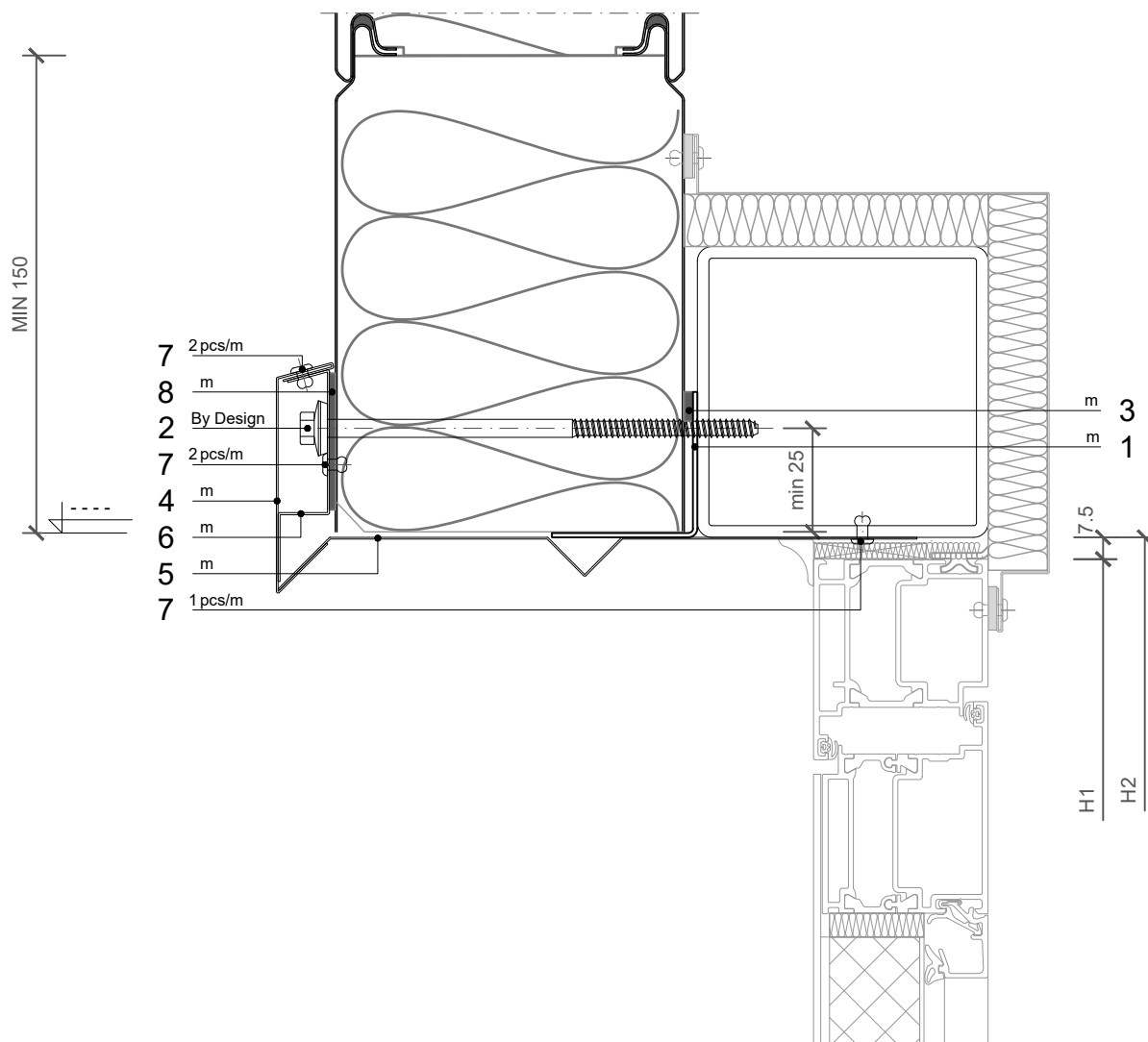
HORIZONTAL INSTALLATION

TRIMOTERM FTV

BUILDING APPLICATION

- External Facade
- Internal Wall
- Roof
- External Soffit
- Internal Ceiling
- Backing panel

VERTICAL CUT - HEAD



NOTES

- Door installation according project requirement - not Trimo d.o.o. scope

POS	CODE	ELEMENT	AMOUNT	UNIT
1	N068	Support profile	dwg	
2	V130	Fixing screw	By Design	
3	30006985	Self adhesive sealing tape 5x10xL		m
4	O076	Drip flashing mask	dwg	
5	O1746	Drip flashing - head	dwg	
6	O078	Drip Flashing support	dwg	
7	K001	Rivet 4xL		pcs
8	5012487	Self adhesive sealing tape EPDM 2x47x100 (under the fixing)		m

SCALE: M 1:2.5

DOOR 02

Trimo Group holds full copyrights on the information and details provided on this media, therefore any unauthorized reproduction and distribution is strictly prohibited.

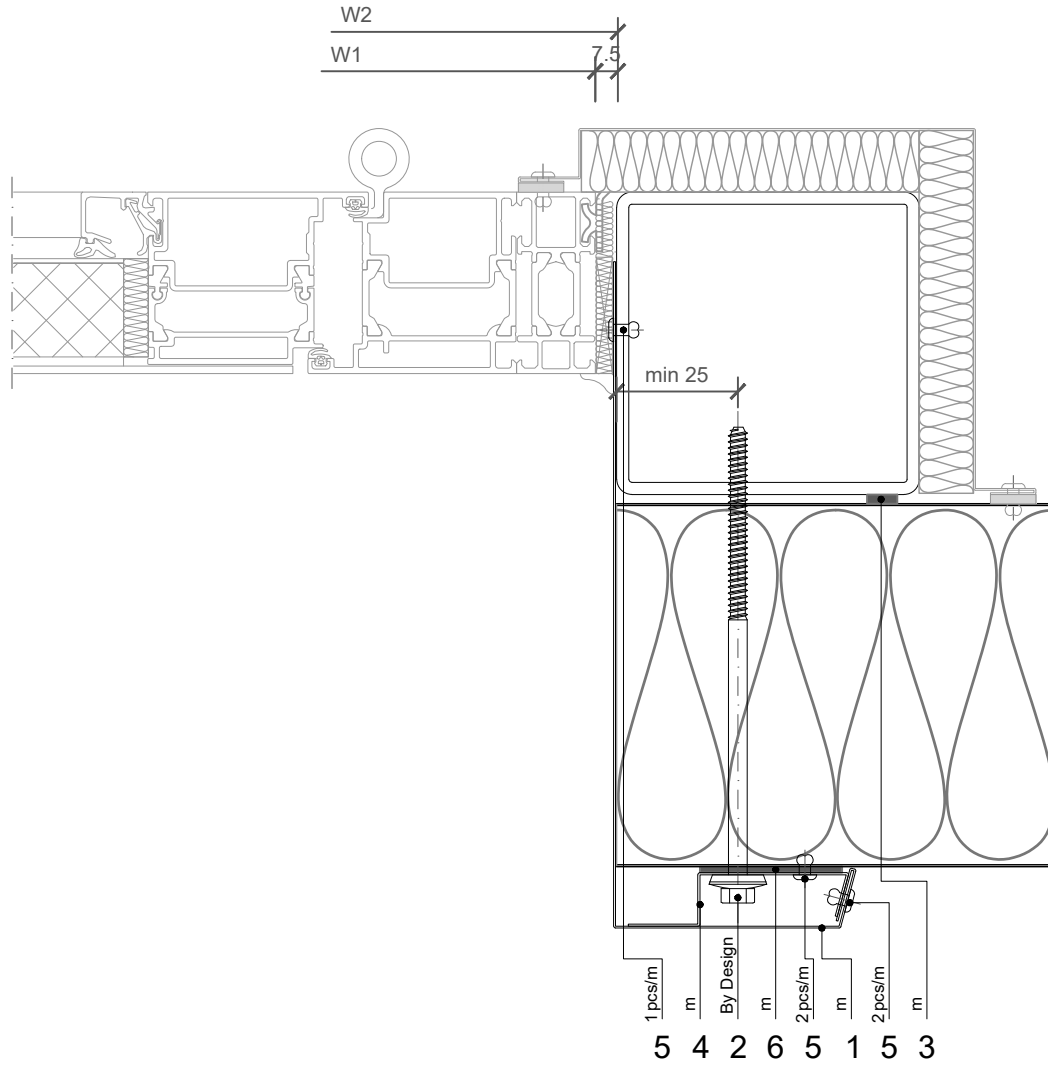
HORIZONTAL INSTALLATION

TRIMOTERM FTV

BUILDING APPLICATION

- External Facade
- Internal Wall
- Roof
- External Soffit
- Internal Ceiling
- Backing panel

HORIZONTAL CUT - JAMB



NOTES

- Apply mastic seal (acc. TE-H-01.01 - ELEMENTS 01)
- Door installation according project requirement - not Trimo d.o.o. scope

POS	CODE	ELEMENT	AMOUNT	UNIT
1	O545	Jamb flashing	dwg	
2	V130	Fixing screw	By Design	
3	30006985	Self adhesive sealing tape 5x10xL		m
4	O078	Flashing support	dwg	
5	K001	Rivet 4xL		pcs
6	5012487	Self adhesive sealing tape EPDM 2x47x100 (under the fixing)		m

SCALE: M 1:2.5

DOOR 03

Trimo Group holds full copyrights on the information and details provided on this media, therefore any unauthorized reproduction and distribution is strictly prohibited.

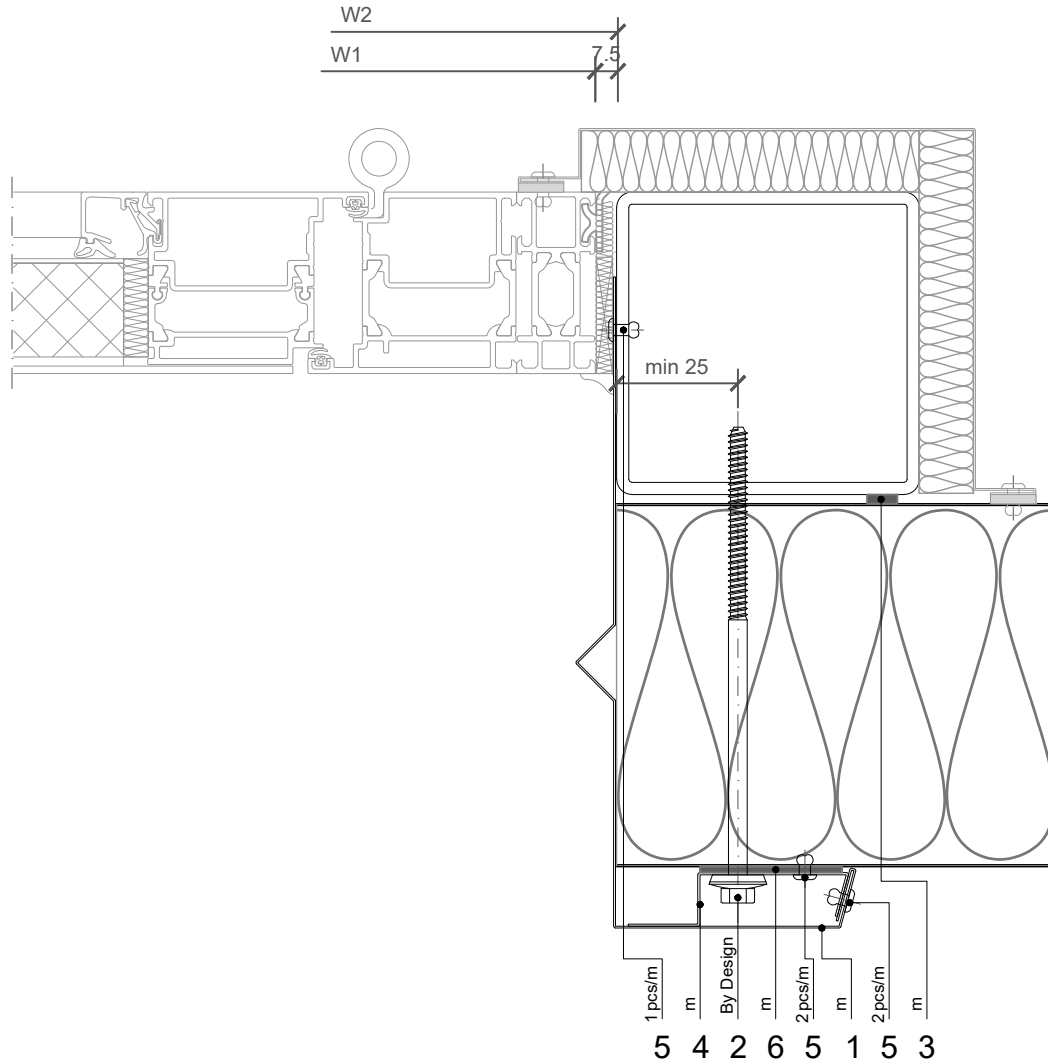
HORIZONTAL INSTALLATION

TRIMOTERM FTV

BUILDING APPLICATION

- External Facade
- Internal Wall
- Roof
- External Soffit
- Internal Ceiling
- Backing panel

HORIZONTAL CUT - JAMB



NOTES

- Apply mastic seal (acc. TE-H-01.01 - ELEMENTS 01)
- Door installation according project requirement - not Trimo d.o.o. scope

POS	CODE	ELEMENT	AMOUNT	UNIT
1	O1736	Jamb flashing	dwg	
2	V130	Fixing screw	By Design	
3	30006985	Self adhesive sealing tape 5x10xL		m
4	O078	Flashing support	dwg	
5	K001	Rivet 4xL		pcs
6	5012487	Self adhesive sealing tape EPDM 2x47x100 (under the fixing)		m

SCALE: M 1:2.5

DOOR 04

Trimo Group holds full copyrights on the information and details provided on this media, therefore any unauthorized reproduction and distribution is strictly prohibited.

DOOR DIMENSIONS - SCHEMATIC

H ... DOOR VERTICAL DIMENSIONS

W ... DOOR HORIZONTAL DIMENSIONS

H1, W1 ... DOOR OPENING DIMENSIONS

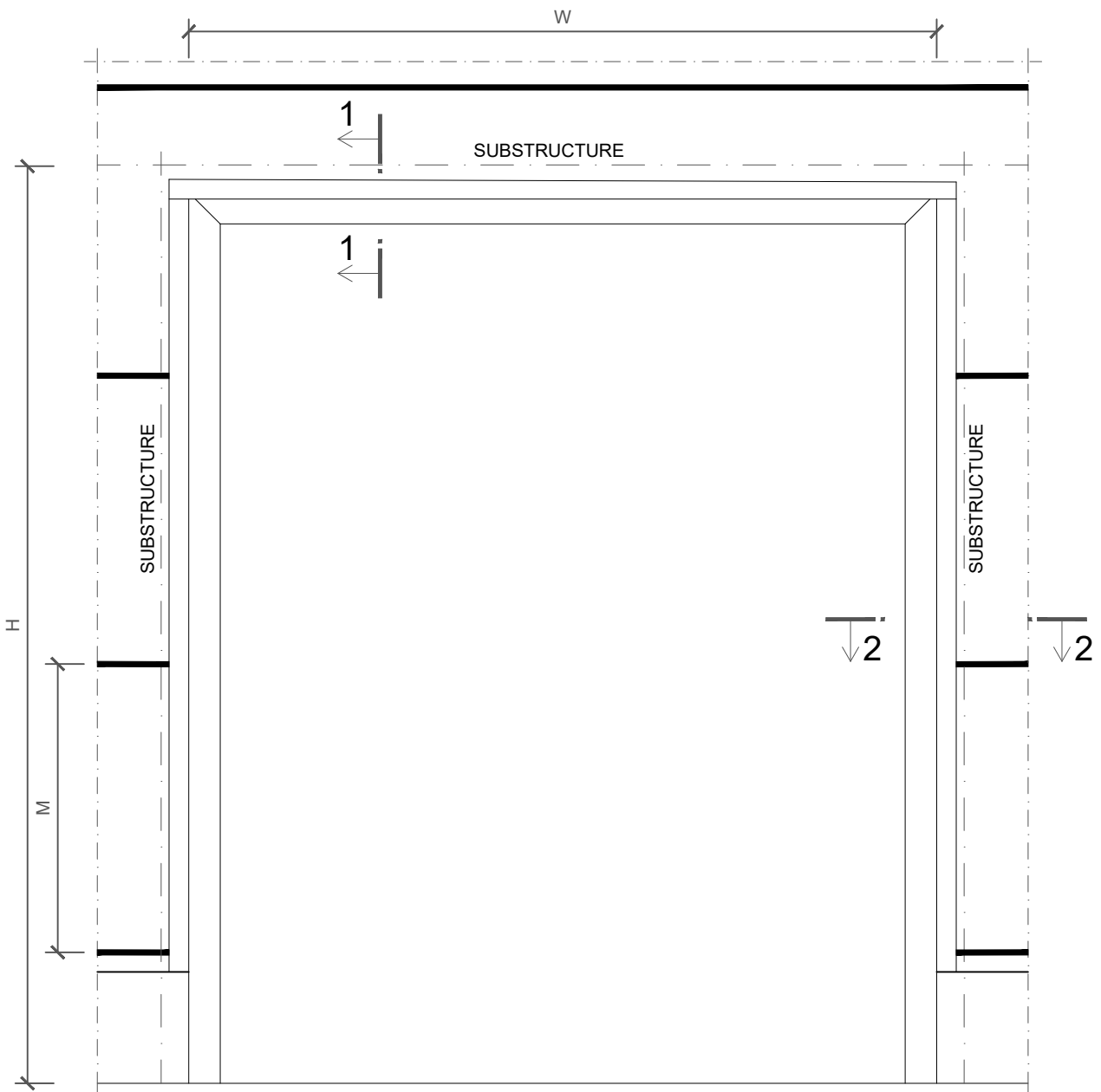
H2, W2 ... DOOR CLEAR DIMENSIONS

H2-H1= 7.5 mm; W2-W1 = 15 mm

M ... PANEL MODULE

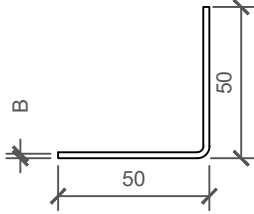
1-1 ... VERTICAL CUT

2-2 ... HORIZONTAL CUT



ELEMENT_ N068_Support profile

PANEL THICKNESS	50	60	80	100	120	133	150	172	200	240	250
CODE	N0073	N0073	N0073	N0073	N0073	N0074	N0074	N0074	N0074	N0074	N0074
B	1,5	1,5	1,5	1,5	1,5	2	2	2	2	2	2
STEEL SHEET WIDTH	97	97	97	97	97	96	96	96	96	96	96

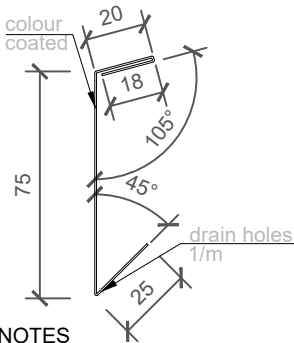


REFERENCE	
LENGTH	
PIECES	

NOTES

material: Zinc - coated metal sheet (B mm)
 L max = 4000 mm
 The weld seam should be protected using a zinc - based paint.
 Dimensions should be verified with structural analyses

ELEMENT_ O076_Drip flashing mask

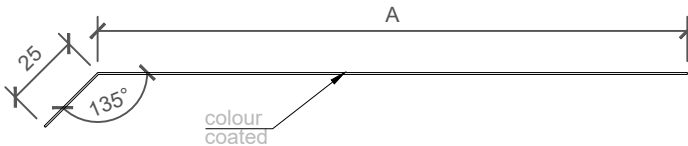


REFERENCE	
COLOUR	
LENGTH	
PIECES	

NOTES

material: Colored metal sheet
 thickness [mm]: 0,6
 sheet width [mm]: 138
 folds: 4
 Lmax [mm] = 6000

ELEMENT_ O1741_Drip flashing - head

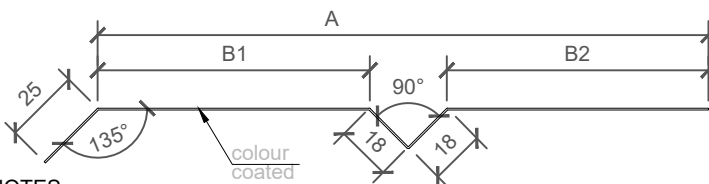


REFERENCE	
COLOUR	
A	0
SHEET WIDTH	25
LENGTH	
PIECES	

NOTES

material: Colored metal sheet
 thickness [mm]: 0,6
 sheet width [mm]: A+25
 folds: 1
 Lmax [mm] = 6000
 A < 200 mm

ELEMENT_ O1746_Drip flashing - head

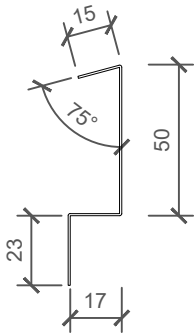


REFERENCE	
COLOUR	
A	0
B1	
B2	
SHEET WIDTH	35
LENGTH	
PIECES	

NOTES

material: Colored metal sheet
 thickness [mm]: 0,6
 sheet width [mm]: A+35
 folds: 4
 Lmax [mm] = 6000
 A > 200 mm

ELEMENT_ O078_Flashing support

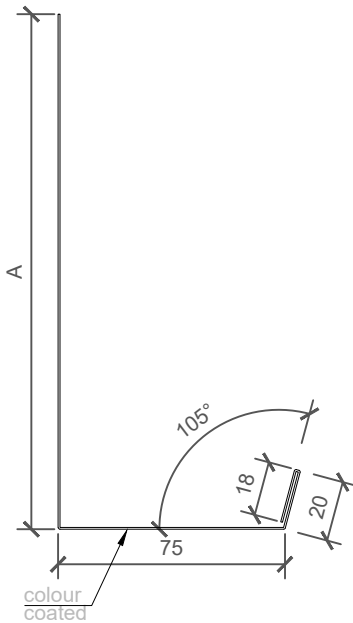


REFERENCE	
LENGTH	
PIECES	

NOTES

material: Galvanized metal sheet
 thickness [mm]: 0,7
 sheet width [mm]: 105
 folds: 3
 Lmax [mm] = 6000

ELEMENT_ O545_Jamb flashing

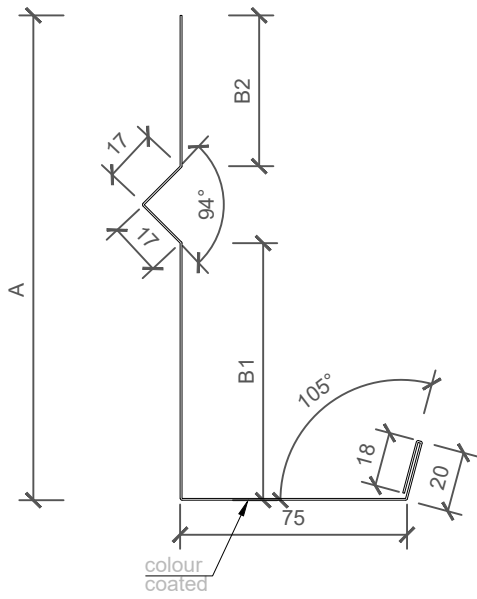


REFERENCE	
COLOUR	
A	0
SHEET WIDTH	113
LENGTH	
PIECES	

NOTES

material: Colored metal sheet
 thickness [mm]: 0,6
 sheet width [mm]: A+113
 folds: 4
 Lmax [mm] = 6000
 A<200 mm

ELEMENT_O1736_Jamb flashing



REFERENCE	
COLOUR	
A	0
B1	
B2	
SHEET WIDTH	123
LENGTH	
PIECES	

NOTES
 material: Colored metal sheet
 thickness [mm]: 0,6
 sheet width [mm]: A+123
 folds: 7
 Lmax [mm] = 6000
 A>200 mm

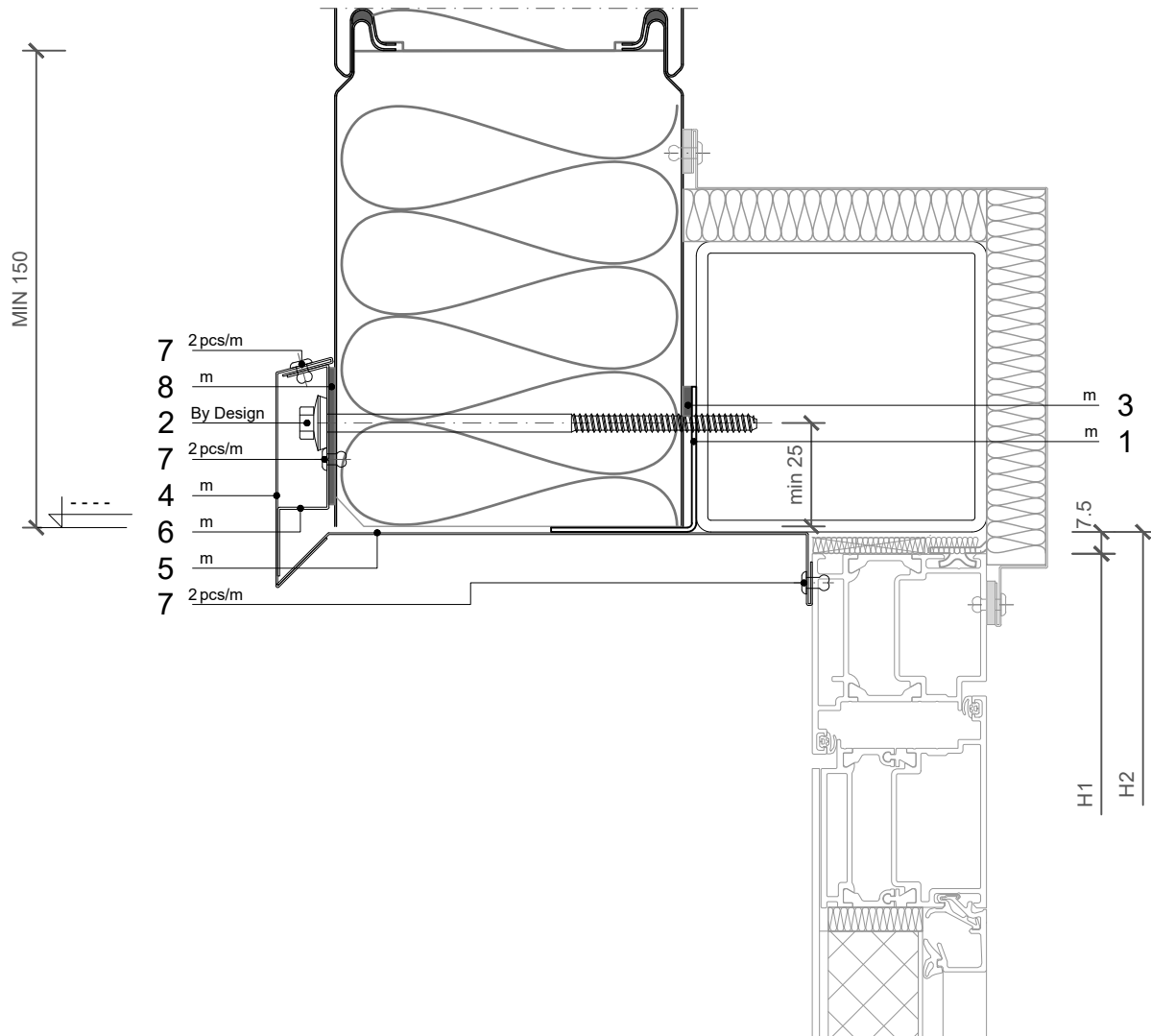
HORIZONTAL INSTALLATION

TRIMOTERM FTV

BUILDING APPLICATION

- External Facade
- Internal Wall
- Roof
- External Soffit
- Internal Ceiling
- Backing panel

VERTICAL CUT - HEAD



NOTES

- Door installation according project requirement - not Trimo d.o.o. scope

POS	CODE	ELEMENT	AMOUNT	UNIT
1	N068	Support profile	dwg	
2	V130	Fixing screw	By Design	
3	30006985	Self adhesive sealing tape 5x10xL		m
4	O076	Drip flashing mask	dwg	
5	O1742	Drip flashing - head	dwg	
6	O078	Drip Flashing support	dwg	
7	K001	Rivet 4xL		pcs
8	5012487	Self adhesive sealing tape EPDM 2x47x100 (under the fixing)		m

SCALE: M 1:2.5

DOOR 01

Trimo Group holds full copyrights on the information and details provided on this media, therefore any unauthorized reproduction and distribution is strictly prohibited.

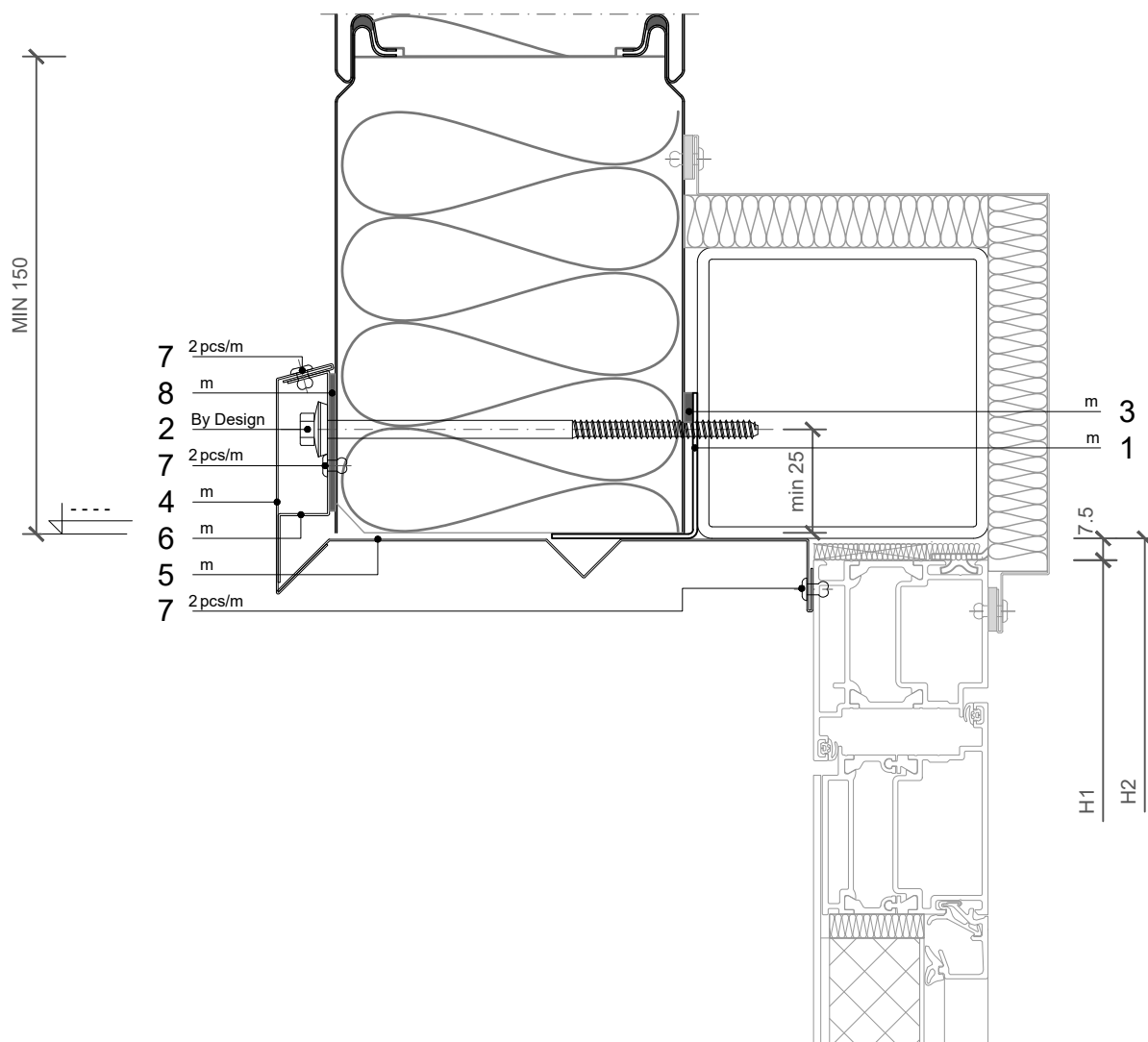
HORIZONTAL INSTALLATION

TRIMOTERM FTV

BUILDING APPLICATION

- External Facade
- Internal Wall
- Roof
- External Soffit
- Internal Ceiling
- Backing panel

VERTICAL CUT - HEAD



NOTES

- Door installation according project requirement - not Trimo d.o.o. scope

POS	CODE	ELEMENT	AMOUNT	UNIT
1	N068	Support profile	dwg	
2	V130	Fixing screw	By Design	
3	30006985	Self adhesive sealing tape 5x10xL		m
4	O076	Drip flashing mask	dwg	
5	O1747	Drip flashing - head	dwg	
6	O078	Drip Flashing support	dwg	
7	K001	Rivet 4xL		pcs
8	5012487	Self adhesive sealing tape EPDM 2x47x100 (under the fixing)		m

SCALE: M 1:2.5

DOOR 02

Trimo Group holds full copyrights on the information and details provided on this media, therefore any unauthorized reproduction and distribution is strictly prohibited.

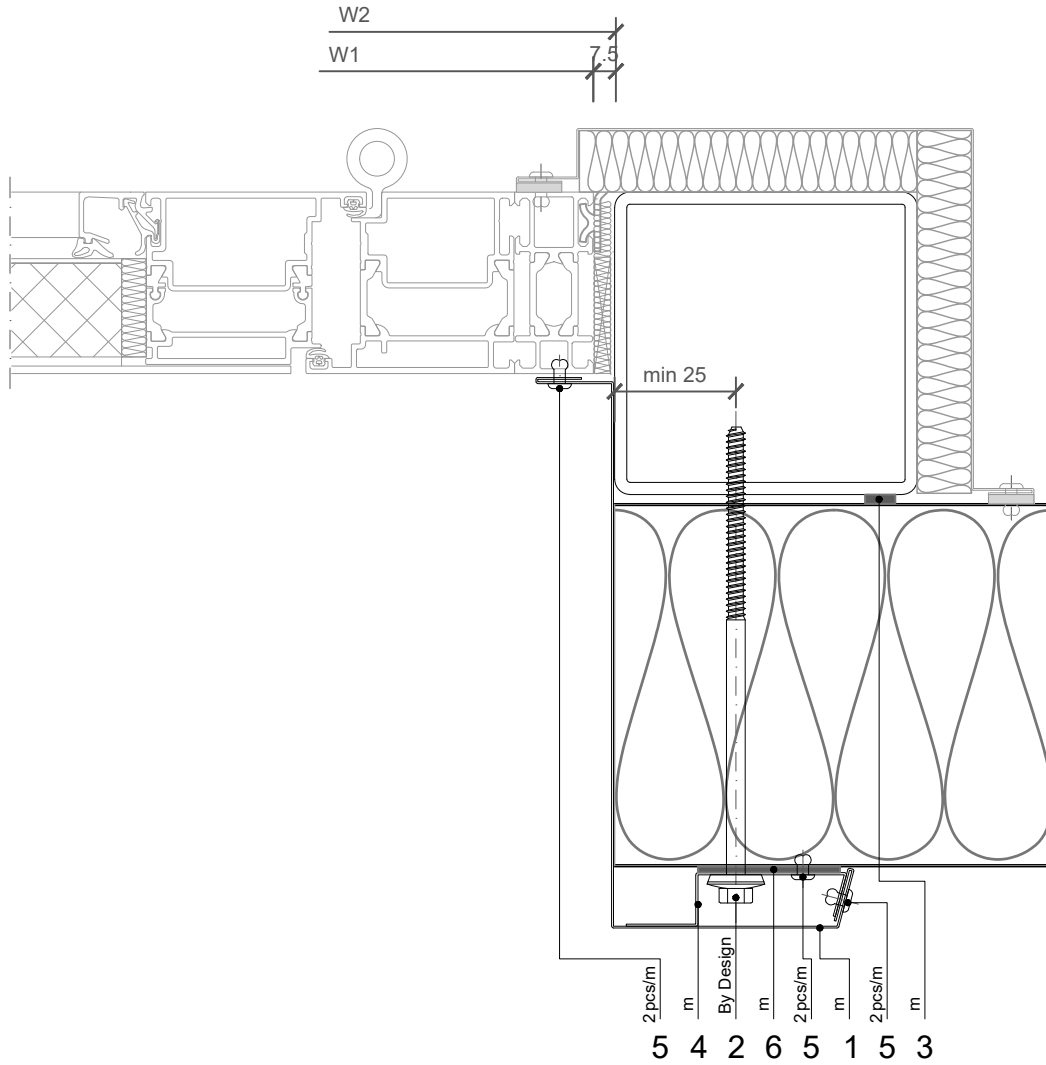
HORIZONTAL INSTALLATION

TRIMOTERM FTV

BUILDING APPLICATION

- External Facade
- Internal Wall
- Roof
- External Soffit
- Internal Ceiling
- Backing panel

HORIZONTAL CUT - JAMB



NOTES

- Apply mastic seal (acc. TE-H-01.01 - ELEMENTS 01)
- Door installation according project requirement - not Trimo d.o.o. scope

POS	CODE	ELEMENT	AMOUNT	UNIT
1	O111	Jamb flashing	dwg	
2	V130	Fixing screw	By Design	
3	30006985	Self adhesive sealing tape 5x10xL		m
4	O078	Flashing support	dwg	
5	K001	Rivet 4xL		pcs
6	5012487	Self adhesive sealing tape EPDM 2x47x100 (under the fixing)		m

SCALE: M 1:2.5

DOOR 03

Trimo Group holds full copyrights on the information and details provided on this media, therefore any unauthorized reproduction and distribution is strictly prohibited.

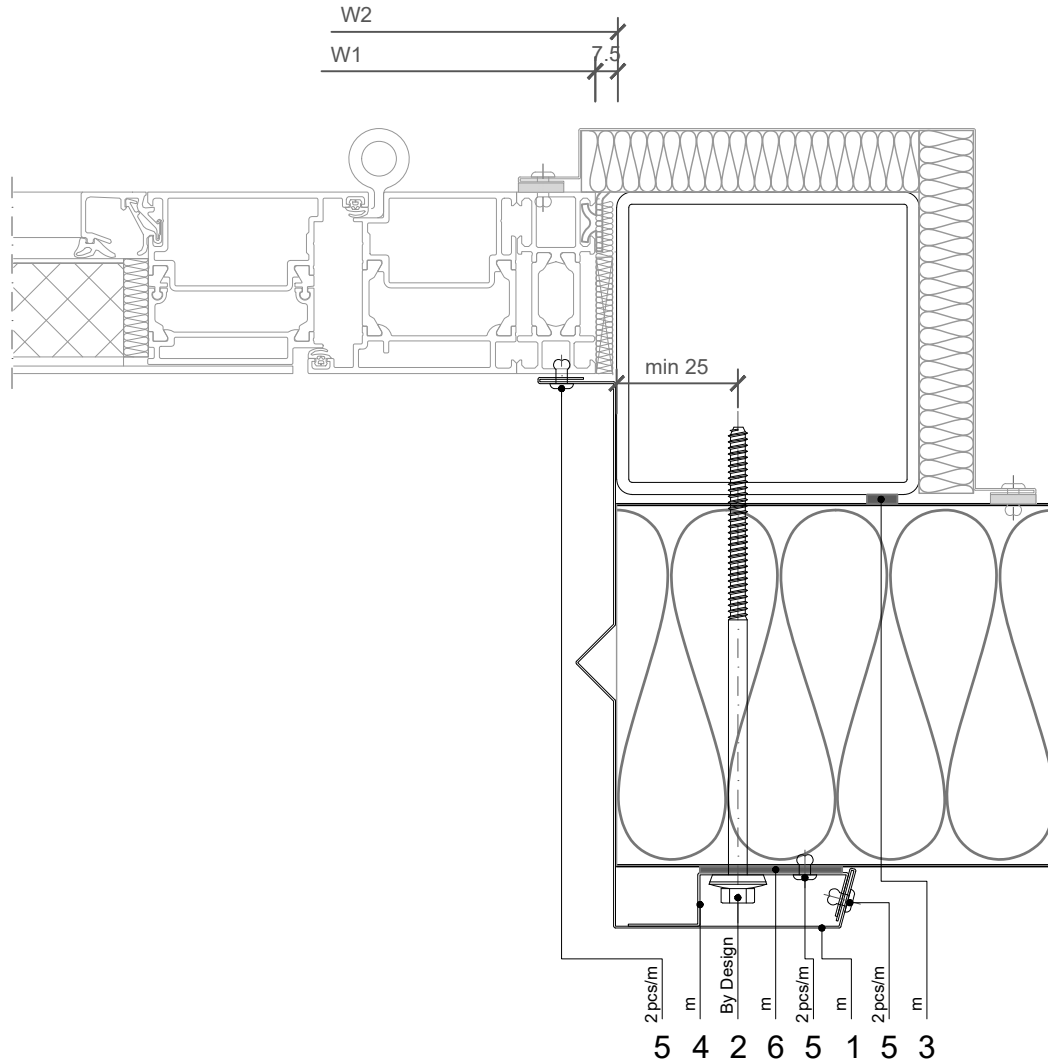
HORIZONTAL INSTALLATION

TRIMOTERM FTV

BUILDING APPLICATION

- External Facade
- Internal Wall
- Roof
- External Soffit
- Internal Ceiling
- Backing panel

HORIZONTAL CUT - JAMB



NOTES

- Apply mastic seal (acc. TE-H-01.01 - ELEMENTS 01)
- Door installation according project requirement - not Trimo d.o.o. scope

POS	CODE	ELEMENT	AMOUNT	UNIT
1	O1737	Jamb flashing	dwg	
2	V130	Fixing screw	By Design	
3	30006985	Self adhesive sealing tape 5x10xL		m
4	O078	Flashing support	dwg	
5	K001	Rivet 4xL		pcs
6	5012487	Self adhesive sealing tape EPDM 2x47x100 (under the fixing)		m

SCALE: M 1:2.5

DOOR 04

Trimo Group holds full copyrights on the information and details provided on this media, therefore any unauthorized reproduction and distribution is strictly prohibited.

DOOR DIMENSIONS - SCHEMATIC

H ... DOOR VERTICAL DIMENSIONS

W ... DOOR HORIZONTAL DIMENSIONS

H1, W1 ... DOOR OPENING DIMENSIONS

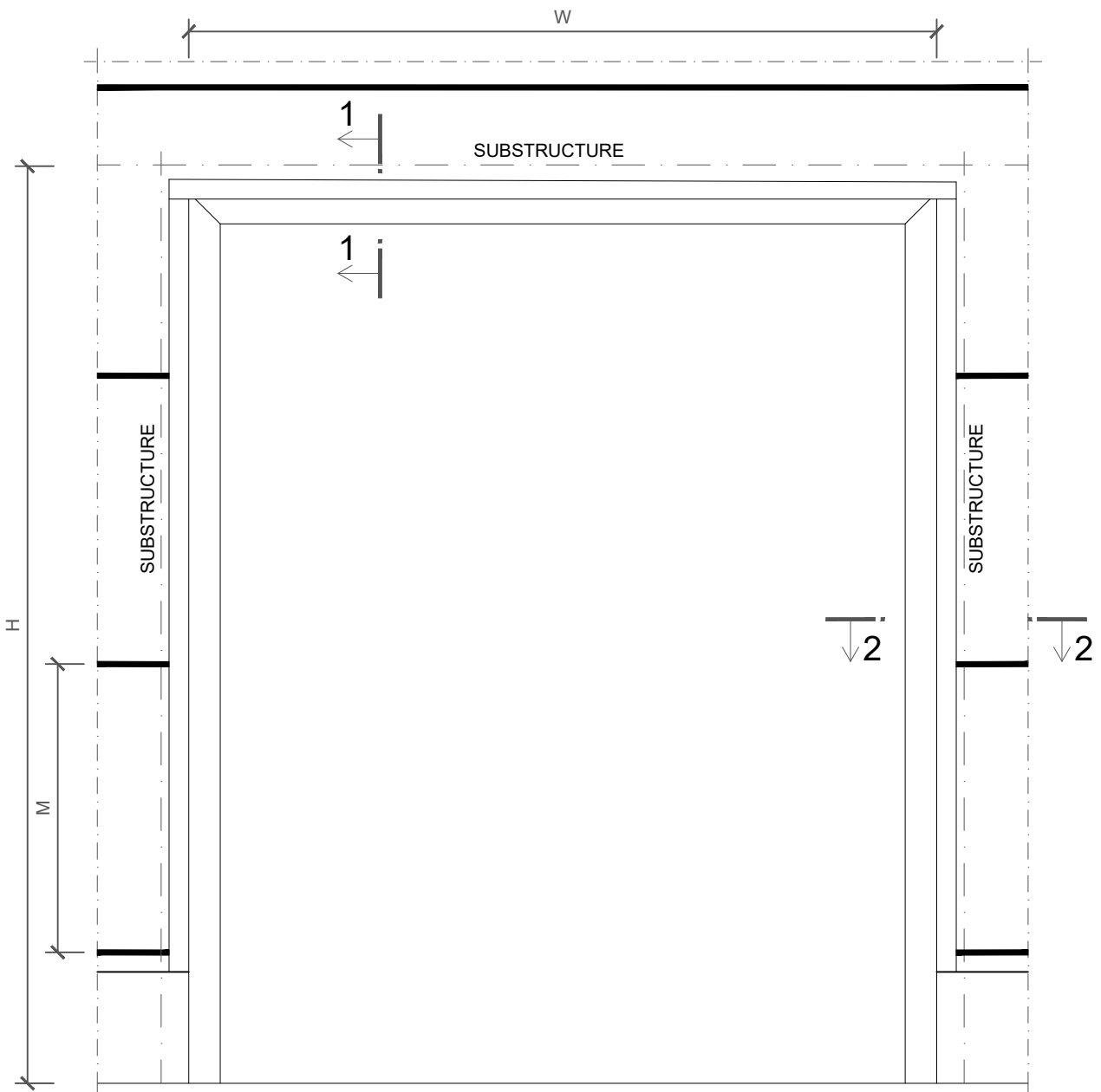
H2, W2 ... DOOR CLEAR DIMENSIONS

H2-H1= 7.5 mm; W2-W1 = 15 mm

M ... PANEL MODULE

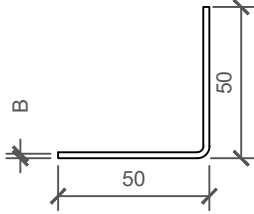
1-1 ... VERTICAL CUT

2-2 ... HORIZONTAL CUT



ELEMENT_ N068_Support profile

PANEL THICKNESS	50	60	80	100	120	133	150	172	200	240	250
CODE	N0073	N0073	N0073	N0073	N0073	N0074	N0074	N0074	N0074	N0074	N0074
B	1,5	1,5	1,5	1,5	1,5	2	2	2	2	2	2
STEEL SHEET WIDTH	97	97	97	97	97	96	96	96	96	96	96

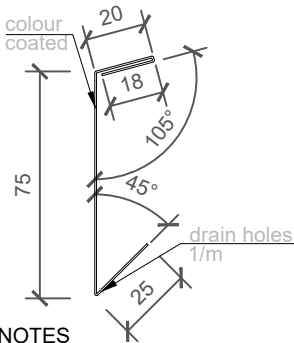


REFERENCE	
LENGTH	
PIECES	

NOTES

material: Zinc - coated metal sheet (B mm)
 L max = 4000 mm
 The weld seam should be protected using a zinc - based paint.
 Dimensions should be verified with structural analyses

ELEMENT_ O076_Drip flashing mask

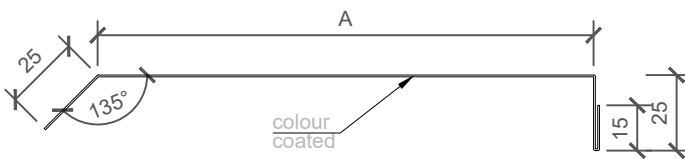


REFERENCE	
COLOUR	
LENGTH	
PIECES	

NOTES

material: Colored metal sheet
 thickness [mm]: 0,6
 sheet width [mm]: 138
 folds: 4
 Lmax [mm] = 6000

ELEMENT_ O1742_Drip flashing - head

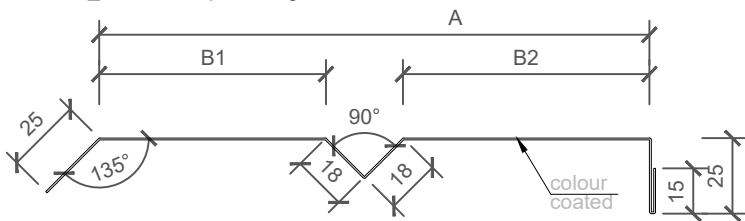


REFERENCE	
COLOUR	
A	0
SHEET WIDTH	65
LENGTH	
PIECES	

NOTES

material: Colored metal sheet
 thickness [mm]: 0,6
 sheet width [mm]: A+65
 folds: 4
 Lmax [mm] = 6000
 A<200 mm

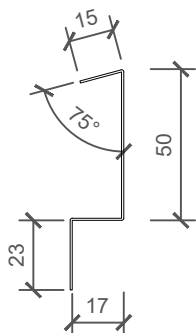
ELEMENT_ O1747_ Drip flashing - head



NOTES
 material: Colored metal sheet
 thickness [mm]: 0,6
 sheet width [mm]: A+75
 folds: 7
 Lmax [mm] = 6000
 A>200 mm

REFERENCE	
COLOUR	
A	0
B1	
B2	
SHEET WIDTH	75
LENGTH	
PIECES	

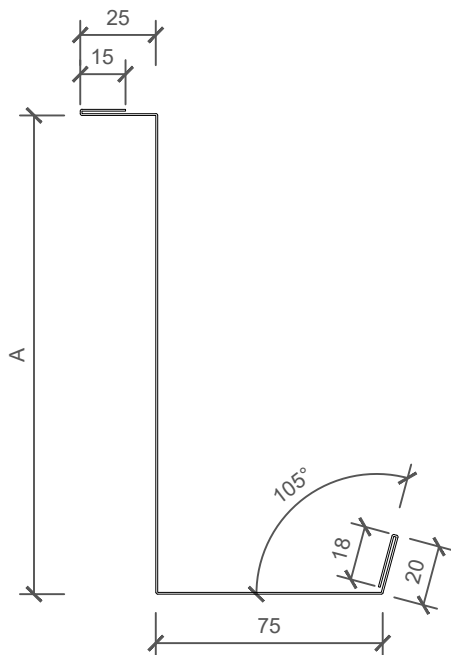
ELEMENT_ O078_ Flashing support



NOTES
 material: Galvanized metal sheet
 thickness [mm]: 0,7
 sheet width [mm]: 105
 folds: 3
 Lmax [mm] = 6000

REFERENCE	
LENGTH	
PIECES	

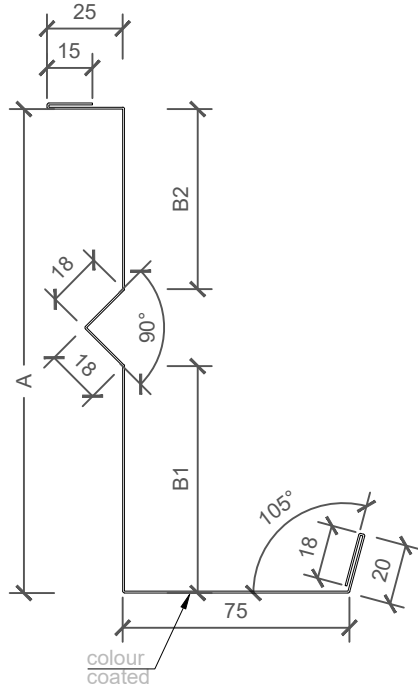
ELEMENT_ O111_ Jamb flashing



NOTES
 material: Colored metal sheet
 thickness [mm]: 0,6
 sheet width [mm]: A+153
 folds: 7
 Lmax [mm] = 6000
 A<200 mm

REFERENCE	
COLOUR	
A	0
SHEET WIDTH	153
LENGTH	
PIECES	

ELEMENT_O1737_Jamb flashing



REFERENCE	
COLOUR	
A	0
B1	
B2	
SHEET WIDTH	163
LENGTH	
PIECES	

NOTES

material: Colored metal sheet
 thickness [mm]: 0,6
 sheet width [mm]: A+163
 folds: 10
 Lmax [mm] = 6000
 A>200 mm

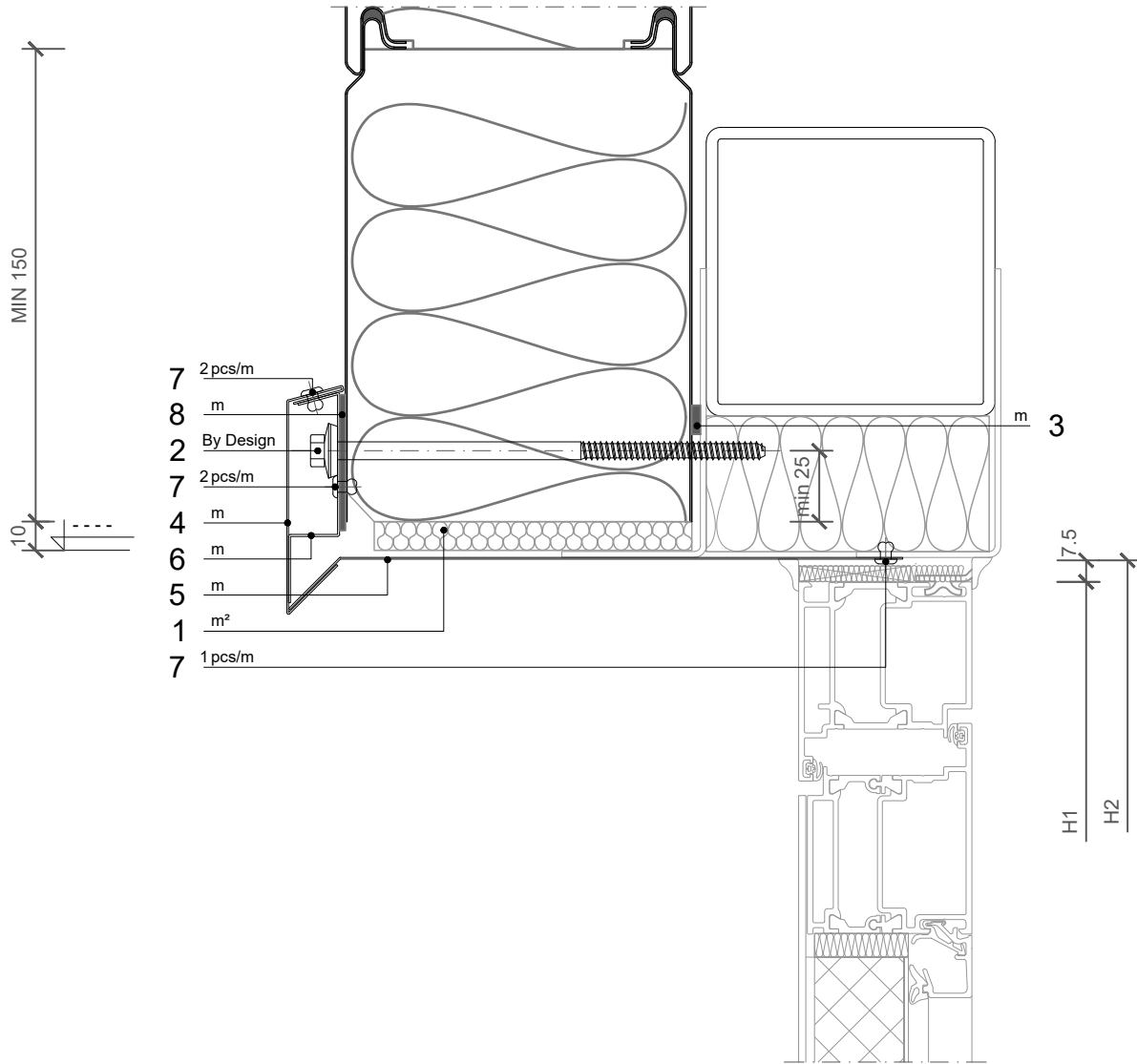
HORIZONTAL INSTALLATION

TRIMOTERM FTV

BUILDING APPLICATION

- External Facade
- Internal Wall
- Roof
- External Soffit
- Internal Ceiling
- Backing panel

VERTICAL CUT - HEAD



NOTES

- Door installation according project requirement - not Trimo d.o.o. scope

POS	CODE	ELEMENT	AMOUNT	UNIT
1	30027144	Thermal insulation		m ²
2	V130	Fixing screw	By Design	
3	30006985	Self adhesive sealing tape 5x10xL		m
4	O076	Drip flashing mask	dwg	
5	O1741	Drip flashing - head	dwg	
6	O078	Drip Flashing support	dwg	
7	K001	Rivet 4xL		pcs
8	5012487	Self adhesive sealing tape EPDM 2x47x100 (under the fixing)		m

SCALE: M 1:2.5

DOOR 01

Trimo Group holds full copyrights on the information and details provided on this media, therefore any unauthorized reproduction and distribution is strictly prohibited.

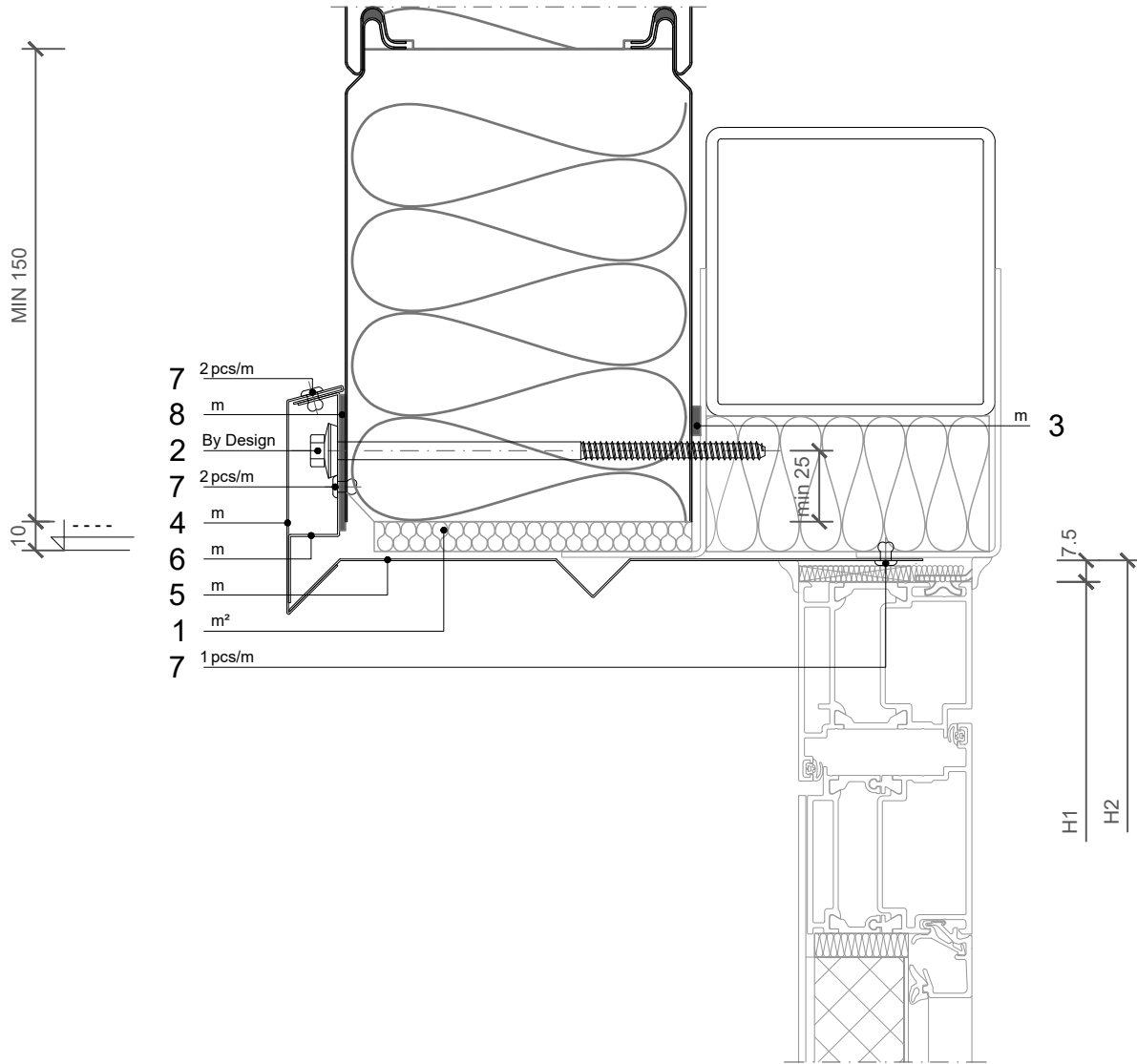
HORIZONTAL INSTALLATION

TRIMOTERM FTV

BUILDING APPLICATION

- External Facade
- Internal Wall
- Roof
- External Soffit
- Internal Ceiling
- Backing panel

VERTICAL CUT - HEAD



NOTES

- Door installation according project requirement - not Trimo d.o.o. scope

POS	CODE	ELEMENT	AMOUNT	UNIT
1	30027144	Thermal insulation		m ²
2	V130	Fixing screw	By Design	
3	30006985	Self adhesive sealing tape 5x10xL		m
4	O076	Drip flashing mask	dwg	
5	O1746	Drip flashing - head	dwg	
6	O078	Drip Flashing support	dwg	
7	K001	Rivet 4xL		pcs
8	5012487	Self adhesive sealing tape EPDM 2x47x100 (under the fixing)		m

SCALE: M 1:2.5

DOOR 02

Trimo Group holds full copyrights on the information and details provided on this media, therefore any unauthorized reproduction and distribution is strictly prohibited.

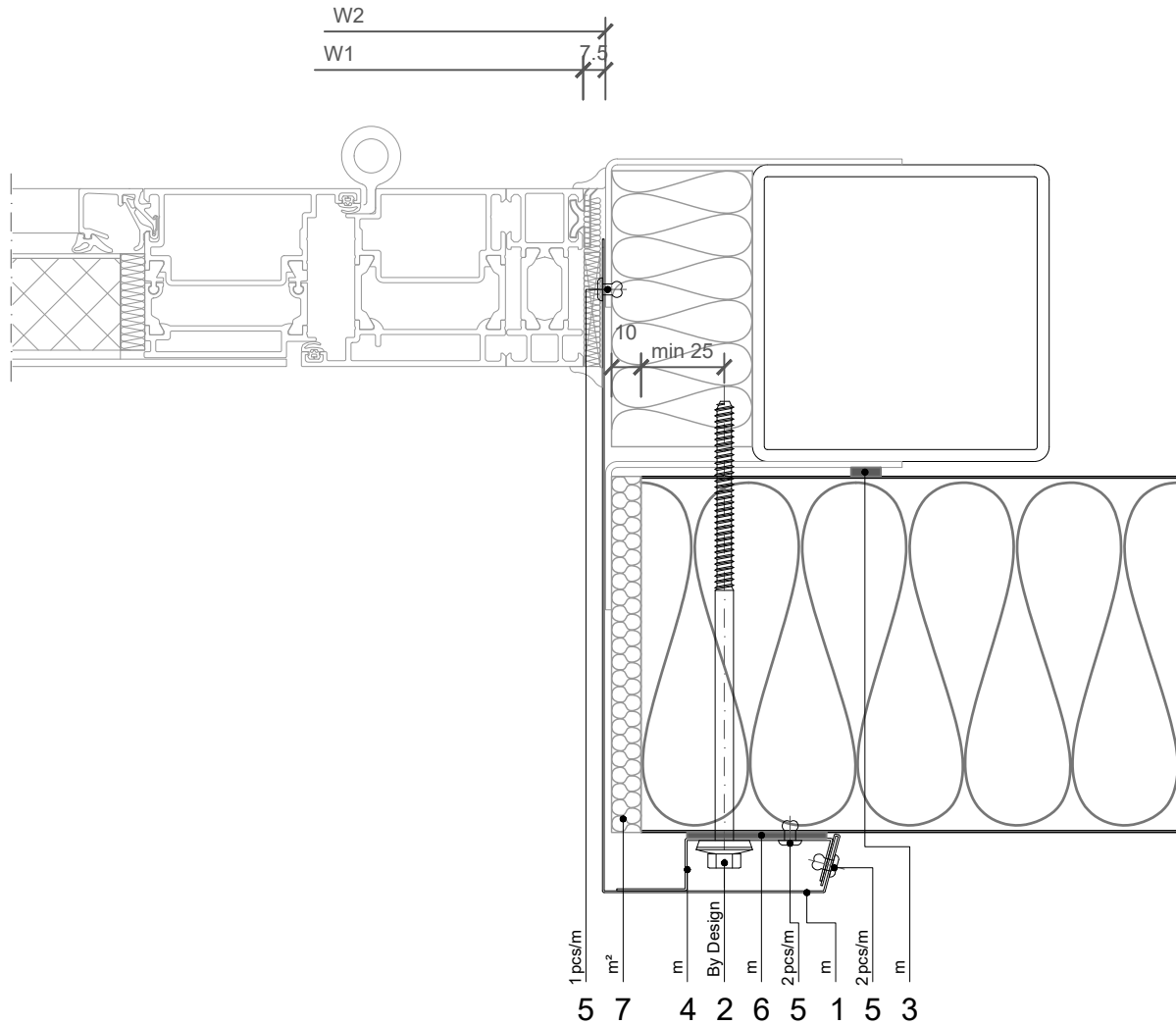
HORIZONTAL INSTALLATION

TRIMOTERM FTV

BUILDING APPLICATION

- External Facade
- Internal Wall
- Roof
- External Soffit
- Internal Ceiling
- Backing panel

HORIZONTAL CUT - JAMB



NOTES

- Apply mastic seal (acc. **TE-H-01.01 - ELEMENTS 01**)
- Door installation according project requirement - not Trimo d.o.o. scope

POS	CODE	ELEMENT	AMOUNT	UNIT
1	O545	Jamb flashing	dwg	
2	V130	Fixing screw	By Design	
3	30006985	Self adhesive sealing tape 5x10xL		m
4	O078	Flashing support	dwg	
5	K001	Rivet 4xL		pcs
6	5012487	Self adhesive sealing tape EPDM 2x47x100 (under the fixing)		m
7	30027144	Thermal insulation		m²

SCALE: M 1:2.5

DOOR 03

Trimo Group holds full copyrights on the information and details provided on this media, therefore any unauthorized reproduction and distribution is strictly prohibited.

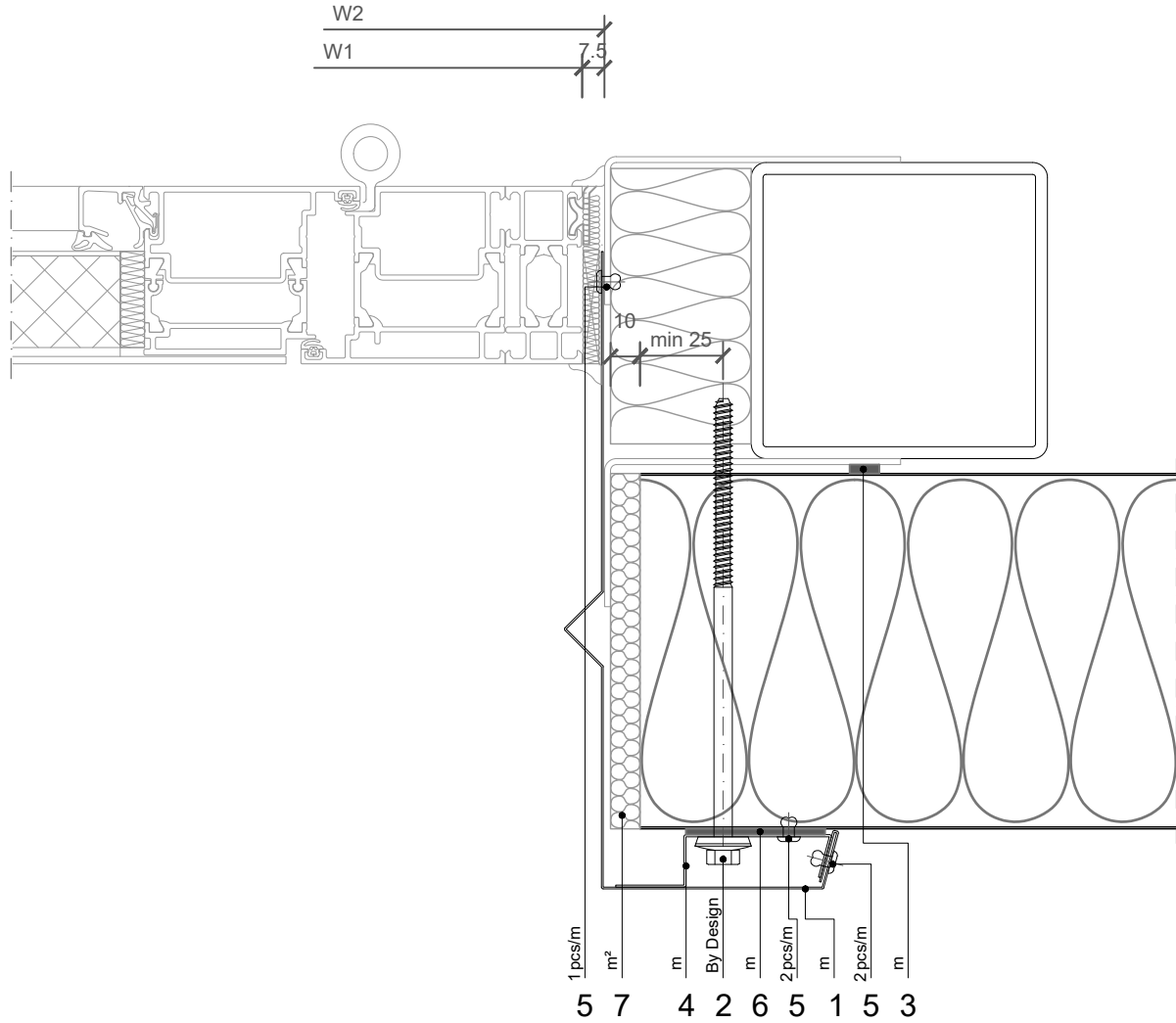
HORIZONTAL INSTALLATION

TRIMOTERM FTV

BUILDING APPLICATION

- External Facade
- Internal Wall
- Roof
- External Soffit
- Internal Ceiling
- Backing panel

HORIZONTAL CUT - JAMB



NOTES

- Apply mastic seal (acc. **TE-H-01.01 - ELEMENTS 01**)
- Door installation according project requirement - not Trimo d.o.o. scope

POS	CODE	ELEMENT	AMOUNT	UNIT
1	O1736	Jamb flashing	dwg	
2	V130	Fixing screw	By Design	
3	30006985	Self adhesive sealing tape 5x10xL		m
4	O078	Flashing support	dwg	
5	K001	Rivet 4xL		pcs
6	5012487	Self adhesive sealing tape EPDM 2x47x100 (under the fixing)		m
7	30027144	Thermal insulation		m²

SCALE: M 1:2.5

DOOR 04

Trimo Group holds full copyrights on the information and details provided on this media, therefore any unauthorized reproduction and distribution is strictly prohibited.

DOOR DIMENSIONS - SCHEMATIC

H ... DOOR VERTICAL DIMENSIONS

W ... DOOR HORIZONTAL DIMENSIONS

H1, W1 ... DOOR OPENING DIMENSIONS

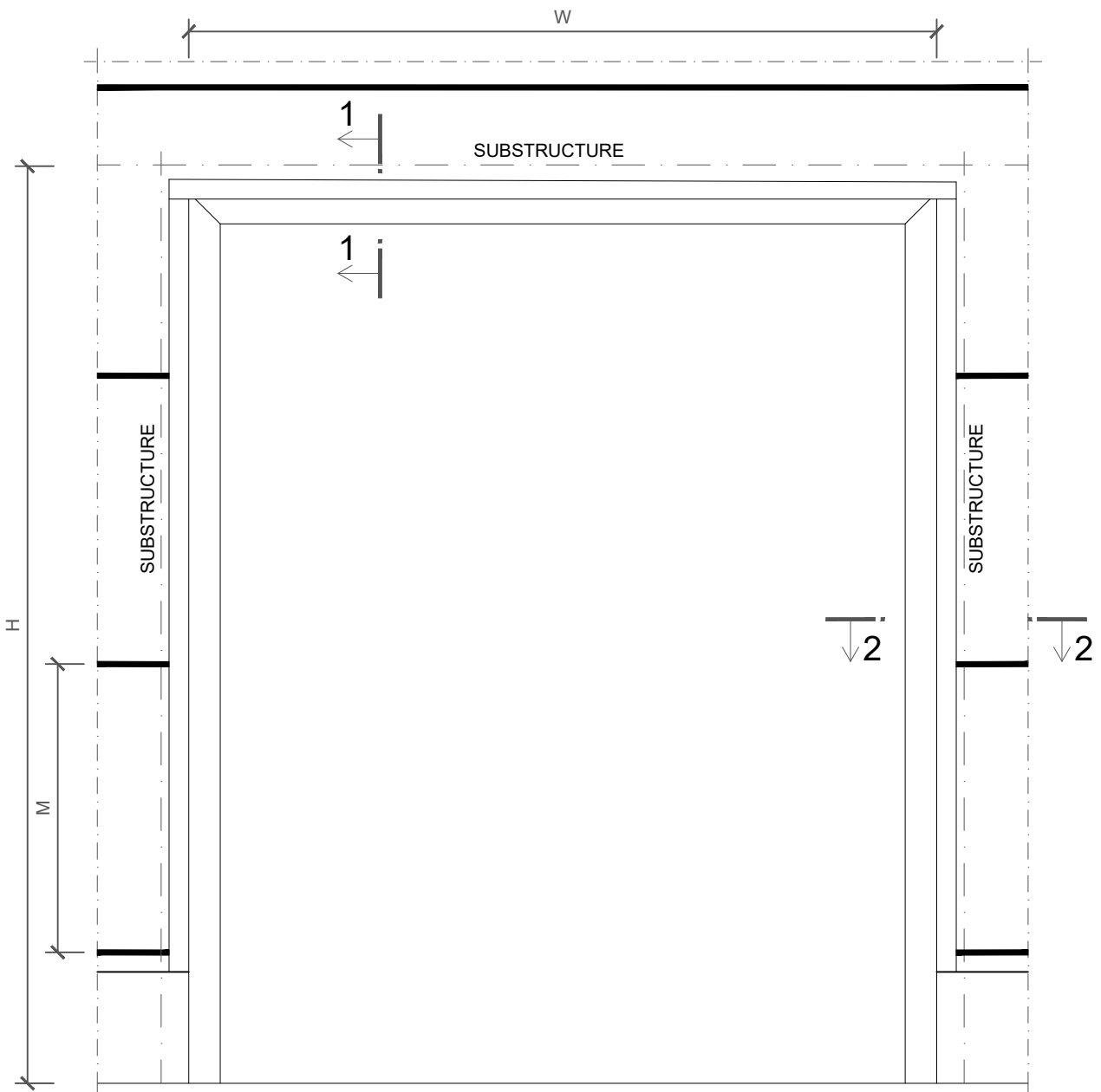
H2, W2 ... DOOR CLEAR DIMENSIONS

H2-H1= 7.5 mm; W2-W1 = 15 mm

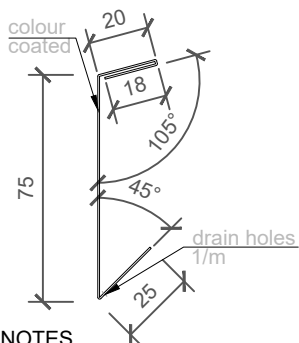
M ... PANEL MODULE

1-1 ... VERTICAL CUT

2-2 ... HORIZONTAL CUT



ELEMENT_ O076_Drip flashing mask

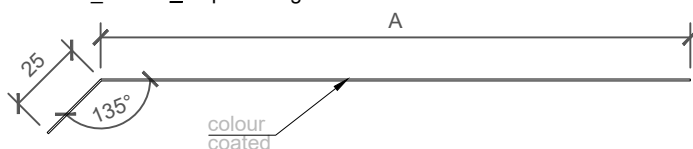


REFERENCE	
COLOUR	
LENGTH	
PIECES	

NOTES

material: Colored metal sheet
 thickness [mm]: 0,6
 sheet width [mm]: 138
 folds: 4
 Lmax [mm] = 6000

ELEMENT_ O1741_Drip flashing - head

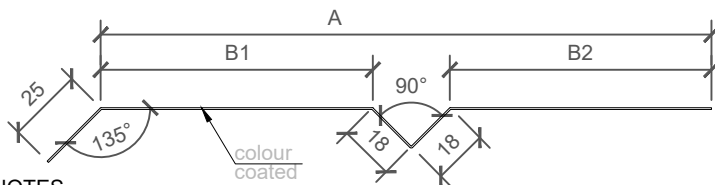


NOTES

material: Colored metal sheet
 thickness [mm]: 0,6
 sheet width [mm]: A+25
 folds: 1
 Lmax [mm] = 6000
 A<200 mm

REFERENCE	
COLOUR	
A	0
SHEET WIDTH	25
LENGTH	
PIECES	

ELEMENT_ O1746_Drip flashing - head

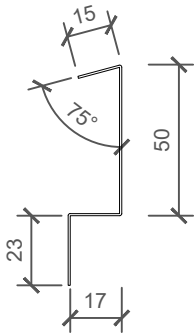


NOTES

material: Colored metal sheet
 thickness [mm]: 0,6
 sheet width [mm]: A+35
 folds: 4
 Lmax [mm] = 6000
 A>200 mm

REFERENCE	
COLOUR	
A	0
B1	
B2	
SHEET WIDTH	35
LENGTH	
PIECES	

ELEMENT_ O078_Flashing support

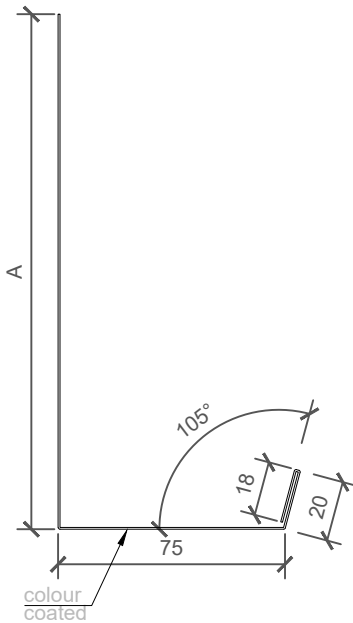


REFERENCE	
LENGTH	
PIECES	

NOTES

material: Galvanized metal sheet
 thickness [mm]: 0,7
 sheet width [mm]: 105
 folds: 3
 Lmax [mm] = 6000

ELEMENT_ O545_Jamb flashing

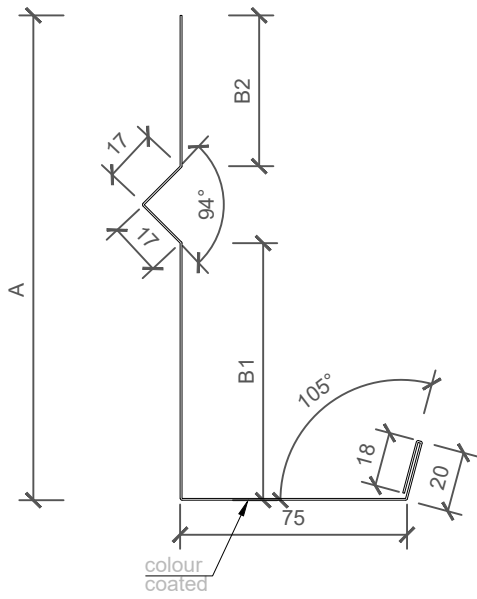


REFERENCE	
COLOUR	
A	0
SHEET WIDTH	113
LENGTH	
PIECES	

NOTES

material: Colored metal sheet
 thickness [mm]: 0,6
 sheet width [mm]: A+113
 folds: 4
 Lmax [mm] = 6000
 A<200 mm

ELEMENT_O1736_Jamb flashing



REFERENCE	
COLOUR	
A	0
B1	
B2	
SHEET WIDTH	123
LENGTH	
PIECES	

NOTES
 material: Colored metal sheet
 thickness [mm]: 0,6
 sheet width [mm]: A+123
 folds: 7
 Lmax [mm] = 6000
 A>200 mm

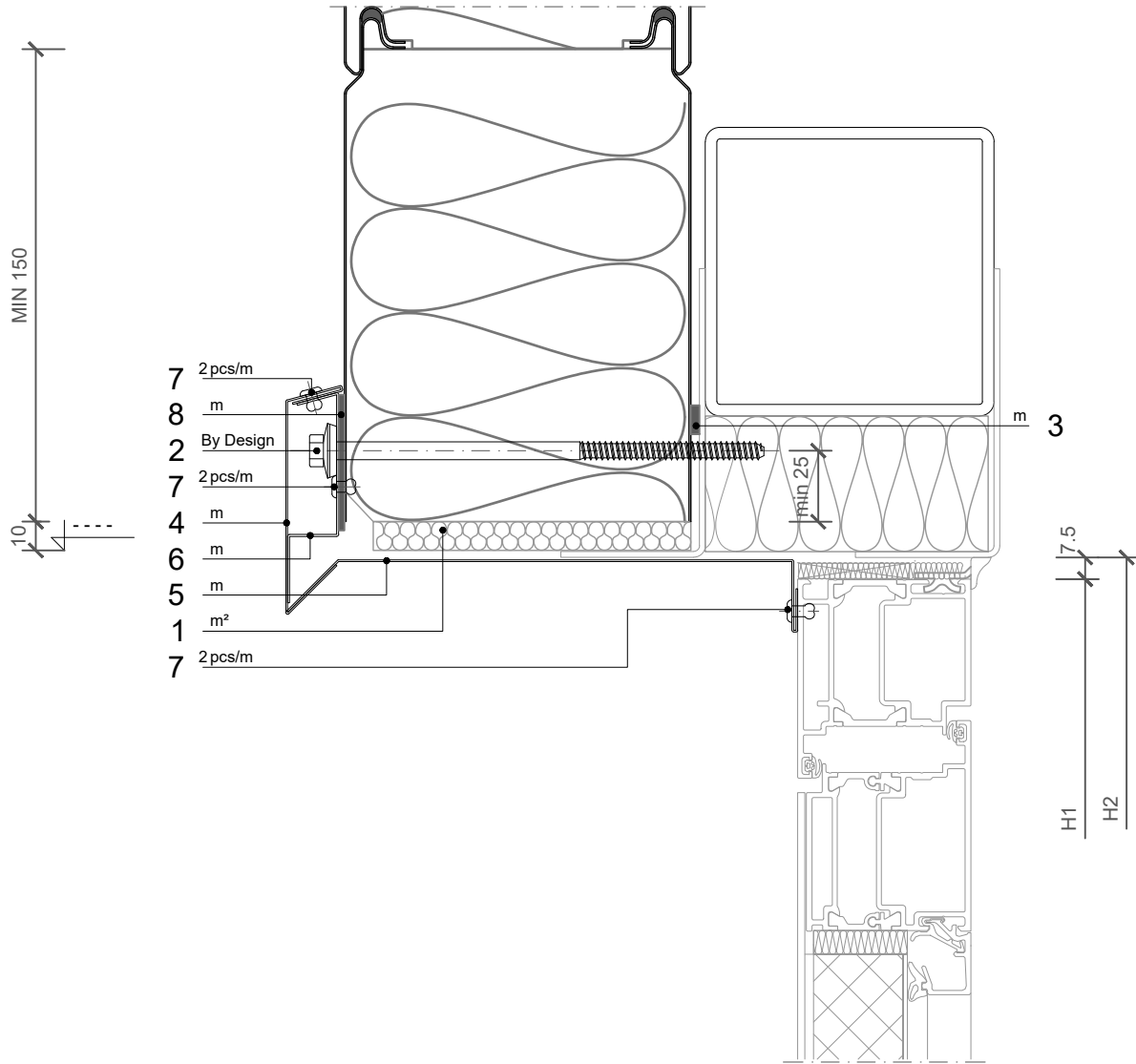
HORIZONTAL INSTALLATION

TRIMOTERM FTV

BUILDING APPLICATION

- External Facade
- Internal Wall
- Roof
- External Soffit
- Internal Ceiling
- Backing panel

VERTICAL CUT - HEAD



NOTES

- Door installation according project requirement - not Trimo d.o.o. scope

POS	CODE	ELEMENT	AMOUNT	UNIT
1	30027144	Thermal insulation		m ²
2	V130	Fixing screw	By Design	
3	30006985	Self adhesive sealing tape 5x10xL		m
4	O076	Drip flashing mask	dwg	
5	O1742	Drip flashing - head	dwg	
6	O078	Drip Flashing support	dwg	
7	K001	Rivet 4xL		pcs
8	5012487	Self adhesive sealing tape EPDM 2x47x100 (under the fixing)		m

SCALE: M 1:2.5

DOOR 01

Trimo Group holds full copyrights on the information and details provided on this media, therefore any unauthorized reproduction and distribution is strictly prohibited.

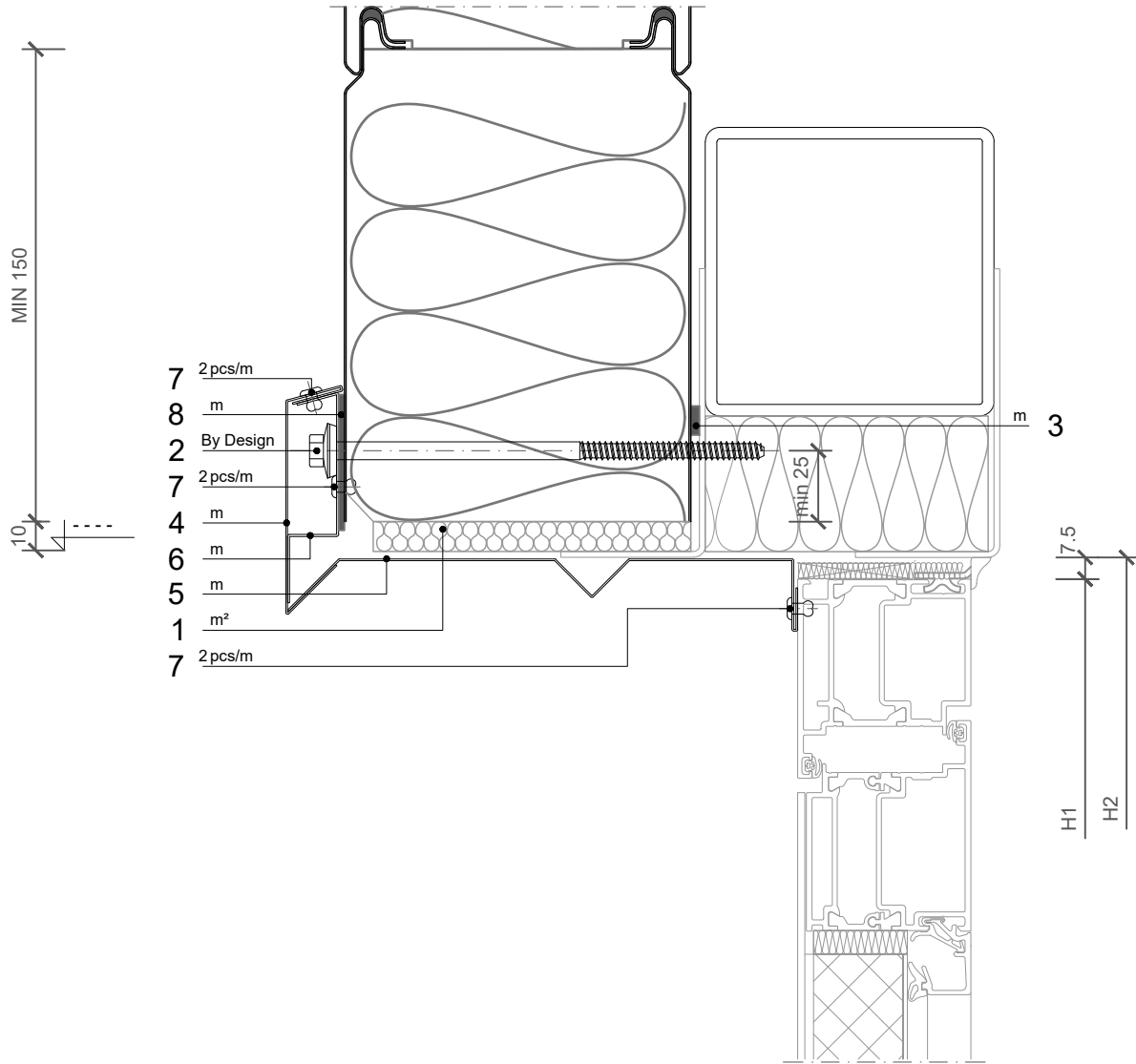
HORIZONTAL INSTALLATION

TRIMOTERM FTV

BUILDING APPLICATION

- External Facade
- Internal Wall
- Roof
- External Soffit
- Internal Ceiling
- Backing panel

VERTICAL CUT - HEAD



NOTES

- Door installation according project requirement - not Trimo d.o.o. scope

POS	CODE	ELEMENT	AMOUNT	UNIT
1	30027144	Thermal insulation		m ²
2	V130	Fixing screw	By Design	
3	30006985	Self adhesive sealing tape 5x10xL		m
4	O076	Drip flashing mask	dwg	
5	O1747	Drip flashing - head	dwg	
6	O078	Drip Flashing support	dwg	
7	K001	Rivet 4xL		pcs
8	5012487	Self adhesive sealing tape EPDM 2x47x100 (under the fixing)		m

SCALE: M 1:2.5

DOOR 02

Trimo Group holds full copyrights on the information and details provided on this media, therefore any unauthorized reproduction and distribution is strictly prohibited.

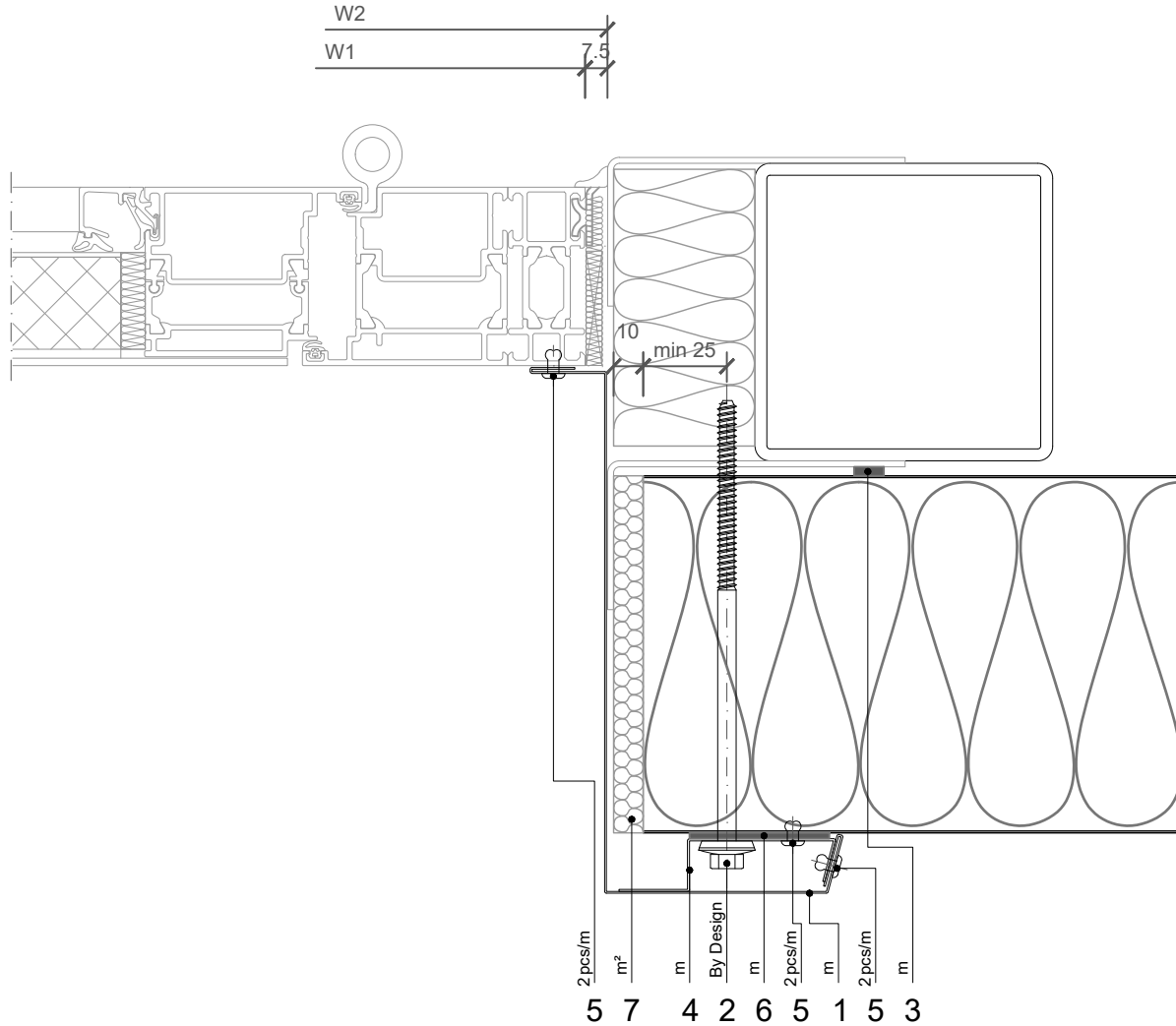
HORIZONTAL INSTALLATION

TRIMOTERM FTV

BUILDING APPLICATION

- External Facade
- Internal Wall
- Roof
- External Soffit
- Internal Ceiling
- Backing panel

HORIZONTAL CUT - JAMB



NOTES

- Apply mastic seal (acc. **TE-H-01.01 - ELEMENTS 01**)
- Door installation according project requirement - not Trimo d.o.o. scope

POS	CODE	ELEMENT	AMOUNT	UNIT
1	O111	Jamb flashing	dwg	
2	V130	Fixing screw	By Design	
3	30006985	Self adhesive sealing tape 5x10xL		m
4	O078	Flashing support	dwg	
5	K001	Rivet 4xL		pcs
6	5012487	Self adhesive sealing tape EPDM 2x47x100 (under the fixing)		m
7	30027144	Thermal insulation		m ²

SCALE: M 1:2.5

DOOR 03

Trimo Group holds full copyrights on the information and details provided on this media, therefore any unauthorized reproduction and distribution is strictly prohibited.

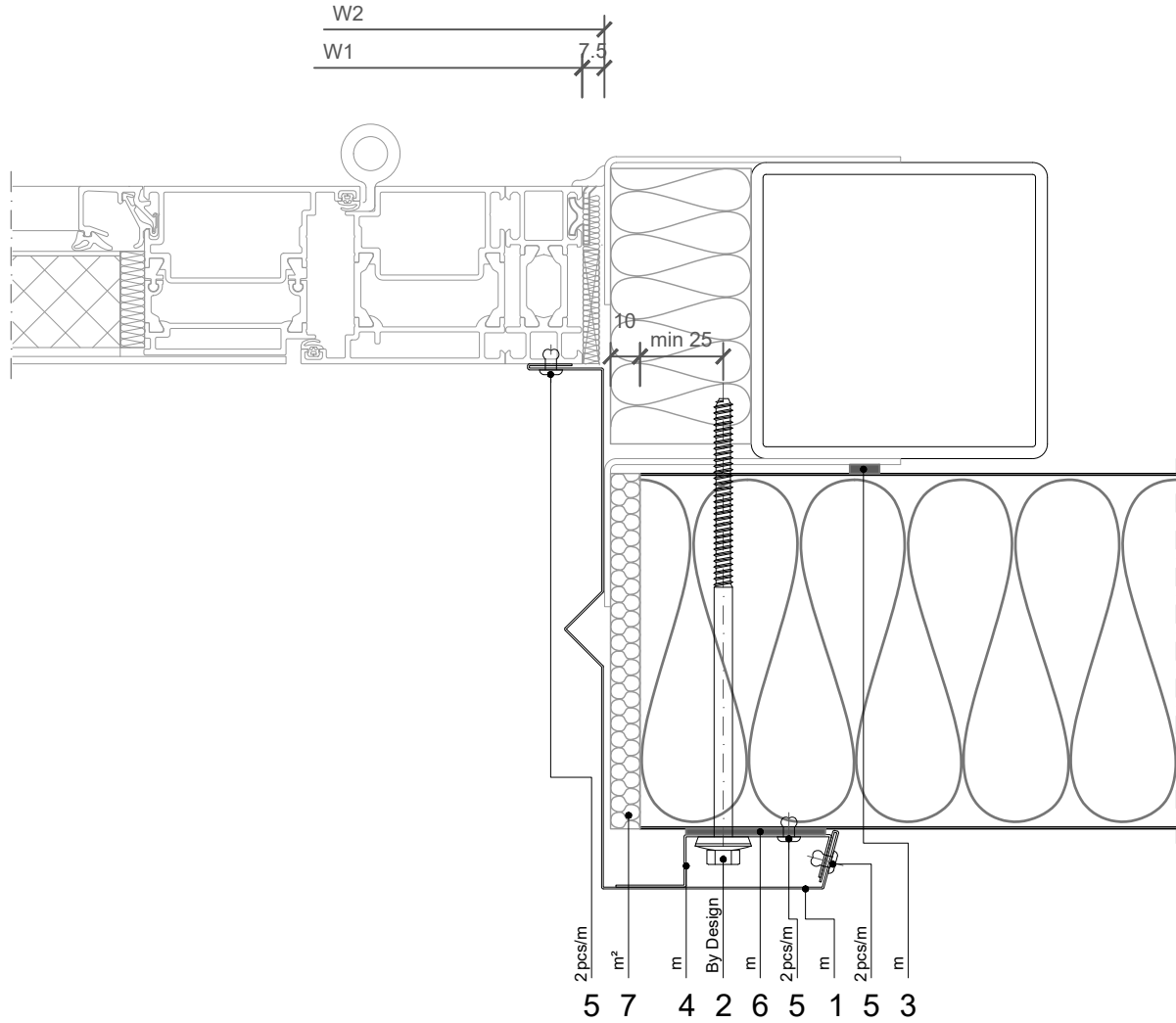
HORIZONTAL INSTALLATION

TRIMOTERM FTV

BUILDING APPLICATION

- External Facade
- Internal Wall
- Roof
- External Soffit
- Internal Ceiling
- Backing panel

HORIZONTAL CUT - JAMB



NOTES

- Apply mastic seal (acc. **TE-H-01.01 - ELEMENTS 01**)
- Door installation according project requirement - not Trimo d.o.o. scope

POS	CODE	ELEMENT	AMOUNT	UNIT
1	O1737	Jamb flashing	dwg	
2	V130	Fixing screw	By Design	
3	30006985	Self adhesive sealing tape 5x10xL		m
4	O078	Flashing support	dwg	
5	K001	Rivet 4xL		pcs
6	5012487	Self adhesive sealing tape EPDM 2x47x100 (under the fixing)		m
7	30027144	Thermal insulation		m²

SCALE: M 1:2.5

DOOR 04

Trimo Group holds full copyrights on the information and details provided on this media, therefore any unauthorized reproduction and distribution is strictly prohibited.

DOOR DIMENSIONS - SCHEMATIC

H ... DOOR VERTICAL DIMENSIONS

W ... DOOR HORIZONTAL DIMENSIONS

H1, W1 ... DOOR OPENING DIMENSIONS

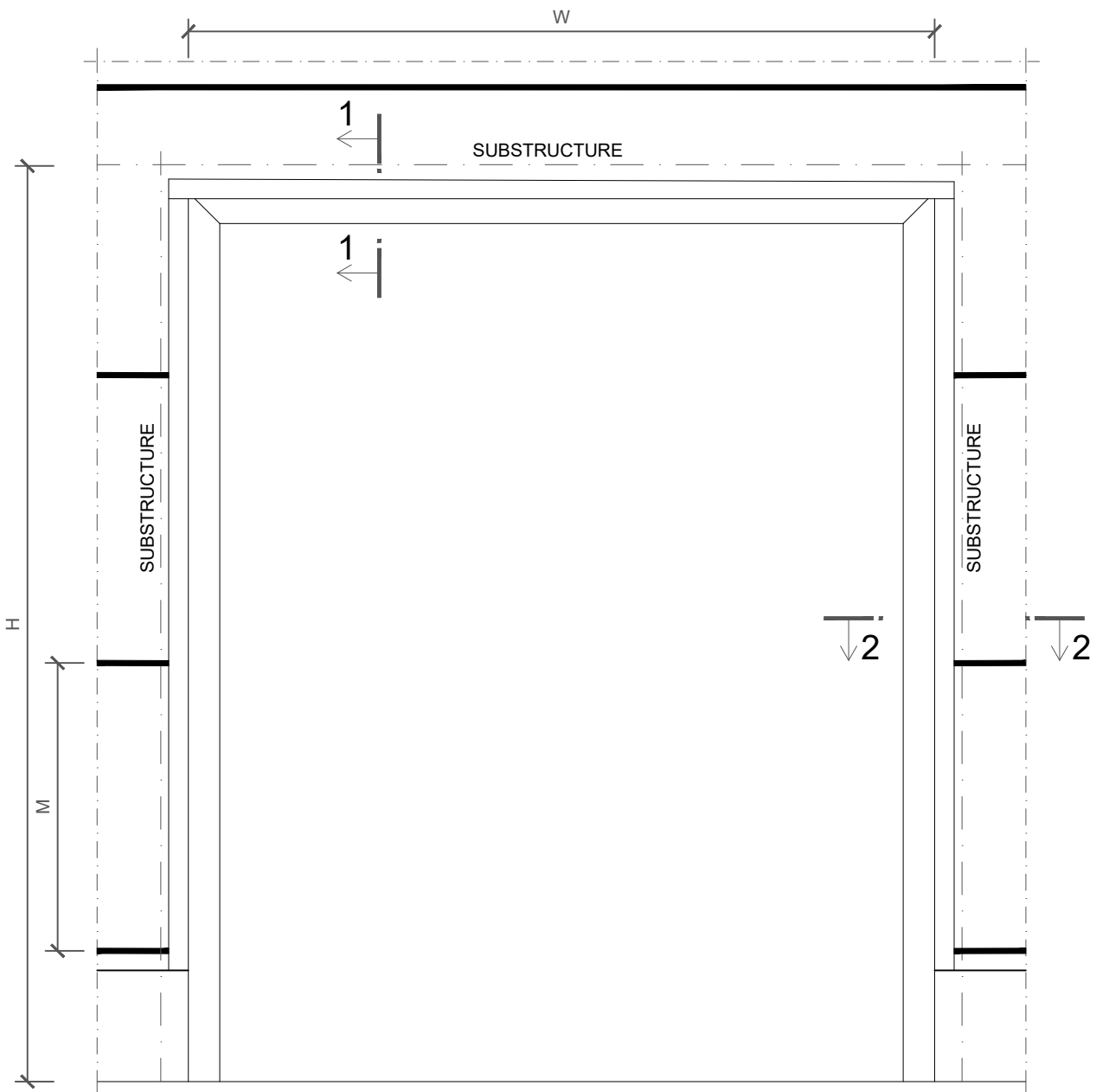
H2, W2 ... DOOR CLEAR DIMENSIONS

H2-H1= 7.5 mm; W2-W1 = 15 mm

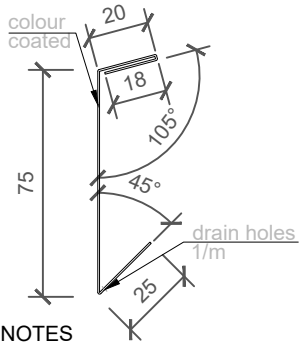
M ... PANEL MODULE

1-1 ... VERTICAL CUT

2-2 ... HORIZONTAL CUT



ELEMENT_ O076_ Drip flashing mask

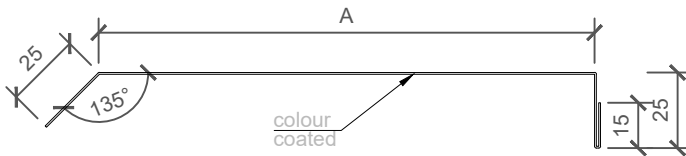


REFERENCE	
COLOUR	
LENGTH	
PIECES	

NOTES

material: Colored metal sheet
 thickness [mm]: 0,6
 sheet width [mm]: 138
 folds: 4
 Lmax [mm] = 6000

ELEMENT_ O1742_ Drip flashing - head

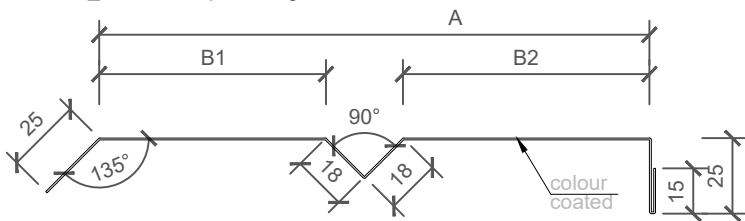


REFERENCE	
COLOUR	
A	0
SHEET WIDTH	65
LENGTH	
PIECES	

NOTES

material: Colored metal sheet
 thickness [mm]: 0,6
 sheet width [mm]: A+65
 folds: 4
 Lmax [mm] = 6000
 A<200 mm

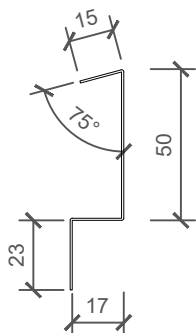
ELEMENT_ O1747_ Drip flashing - head



NOTES
 material: Colored metal sheet
 thickness [mm]: 0,6
 sheet width [mm]: A+75
 folds: 7
 Lmax [mm] = 6000
 A>200 mm

REFERENCE	
COLOUR	
A	0
B1	
B2	
SHEET WIDTH	75
LENGTH	
PIECES	

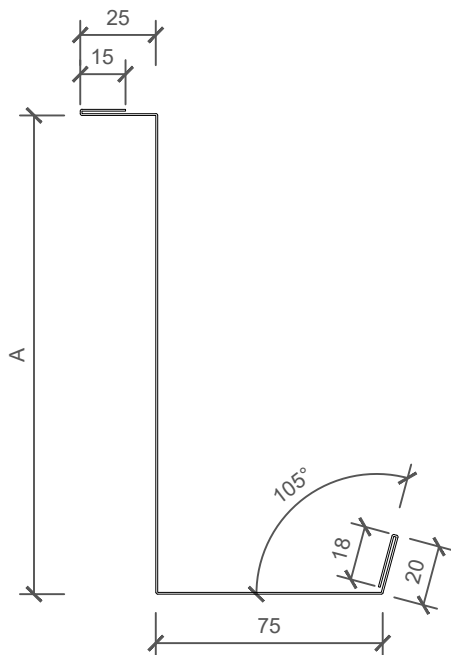
ELEMENT_ O078_ Flashing support



NOTES
 material: Galvanized metal sheet
 thickness [mm]: 0,7
 sheet width [mm]: 105
 folds: 3
 Lmax [mm] = 6000

REFERENCE	
LENGTH	
PIECES	

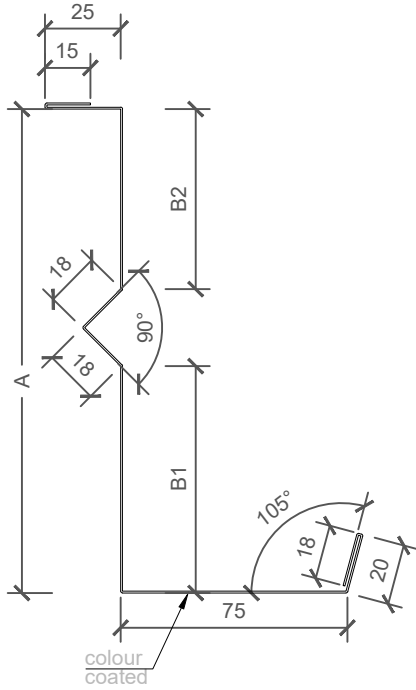
ELEMENT_ O111_ Jamb flashing



NOTES
 material: Colored metal sheet
 thickness [mm]: 0,6
 sheet width [mm]: A+153
 folds: 7
 Lmax [mm] = 6000
 A<200 mm

REFERENCE	
COLOUR	
A	0
SHEET WIDTH	153
LENGTH	
PIECES	

ELEMENT_O1737_Jamb flashing



REFERENCE	
COLOUR	
A	0
B1	
B2	
SHEET WIDTH	163
LENGTH	
PIECES	

NOTES

material: Colored metal sheet
 thickness [mm]: 0,6
 sheet width [mm]: A+163
 folds: 10
 Lmax [mm] = 6000
 A>200 mm

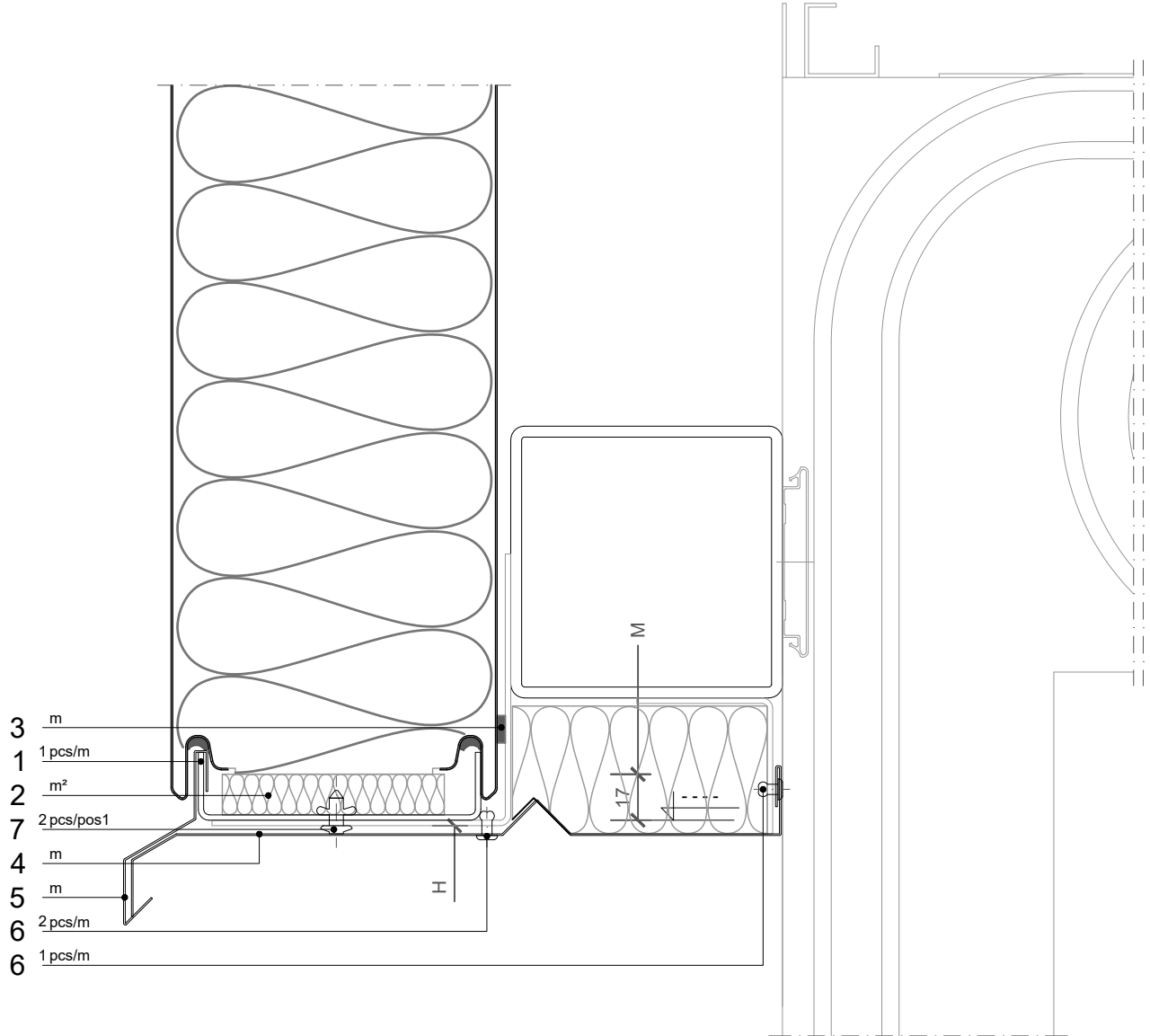
HORIZONTAL INSTALLATION

TRIMOTERM FTV

BUILDING APPLICATION

- External Facade
- Internal Wall
- Roof
- External Soffit
- Internal Ceiling
- Backing panel

VERTICAL CUT - HEAD



NOTES

- Door installation according to project requirement - not Trimo d.o.o. scope

POS	CODE	ELEMENT	AMOUNT	UNIT
1	N005	Panel support profile	dwg	
2	30027144	Thermal insulation		m ²
3	30006985	Self adhesive sealing tape 5x10xL		m
4	O1752	Drip flashing mask - head	dwg	
5	O103	Drip flashing	dwg	
6	K001	Rivet 4xL		pcs
7	K011	Bulb tite rivet 5,2xL		pcs

SCALE: M 1:2.5

DOOR 01

Trimo Group holds full copyrights on the information and details provided on this media, therefore any unauthorized reproduction and distribution is strictly prohibited.

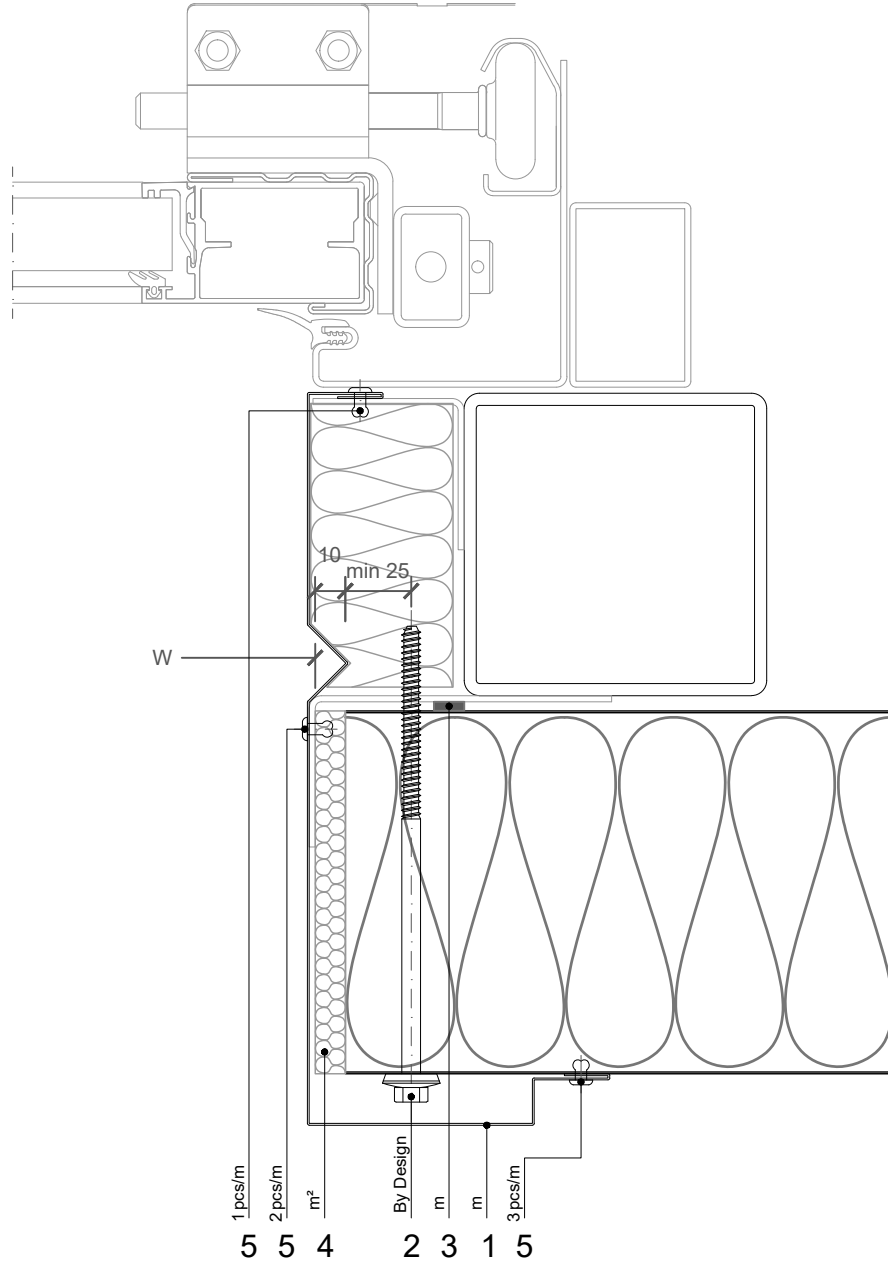
HORIZONTAL INSTALLATION

TRIMOTERM FTV

BUILDING APPLICATION

- External Facade
- Internal Wall
- Roof
- External Soffit
- Internal Ceiling
- Backing panel

HORIZONTAL CUT - JAMB



NOTES

- Apply mastic seal (acc. TE-H-01.01 - ELEMENTS 01)
- Door installation according project requirement - not Trimo d.o.o. scope

POS	CODE	ELEMENT	AMOUNT	UNIT
1	O1754	Jamb flashing	dwg	
2	V130	Fixing screw	By Design	
3	30006985	Self adhesive sealing tape 5x10xL		m
4	30027144	Thermal insulation		m ²
5	K001	Rivet 4xL		pcs

SCALE: M 1:2.5

DOOR 02

Trimo Group holds full copyrights on the information and details provided on this media, therefore any unauthorized reproduction and distribution is strictly prohibited.

DOOR DIMENSIONS - SCHEMATIC

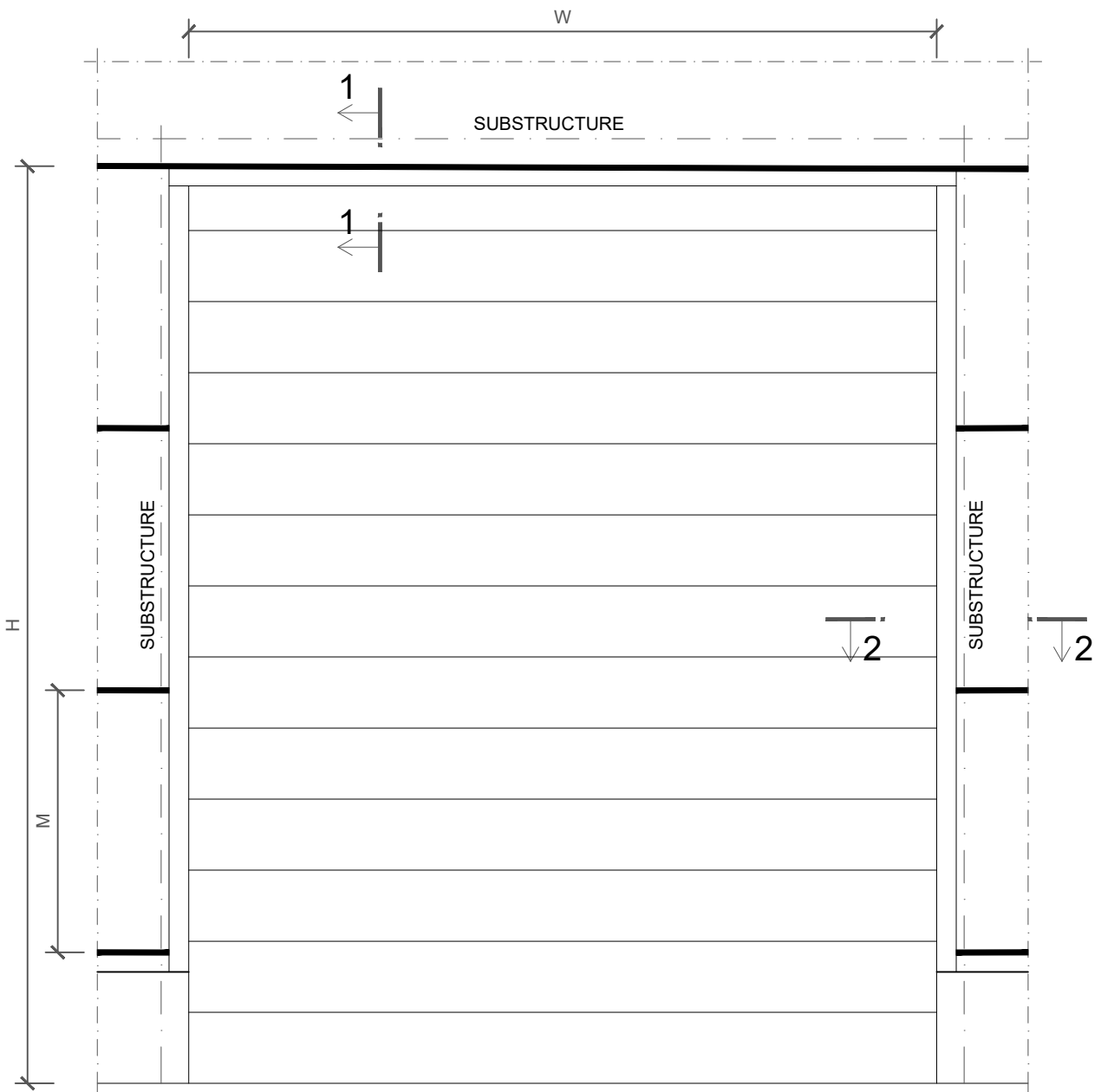
H ... DOOR VERTICAL DIMENSIONS

W ... DOOR HORIZONTAL DIMENSIONS

M ... PANEL MODULE

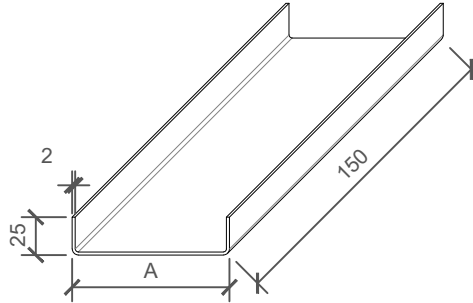
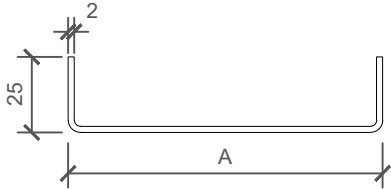
1-1 ... VERTICAL CUT

2-2 ... HORIZONTAL CUT



ELEMENT_ N005_Panel support profile

PANEL THICKNESS	50	60	80	100	120	133	150	172	200	240	250
CODE	N0001	N0002	N0003	N0004	N0005	N0006	N0007	N0008	N0009	N0010	N0011
A	34	44	64	84	104	117	134	156	184	224	234
STEEL SHEET WIDTH	76	86	106	126	146	159	176	198	226	266	276

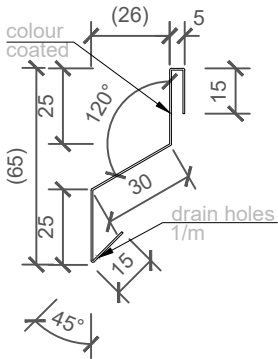


REFERENCE	
A	0
SHEET WIDTH	42
PIECES	

NOTES

material: Zinc - coated metal sheet
 thickness [mm]: 2
 sheet width [mm]: 42+A
 folds: 2
 L [mm] = 150

ELEMENT_ O103_Drip flashing

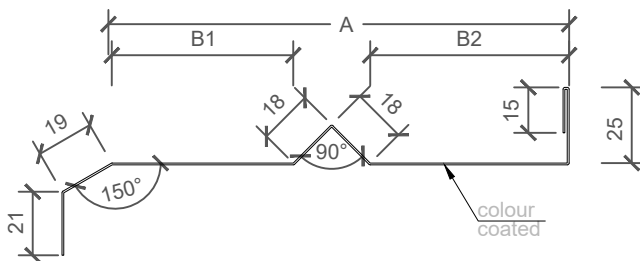


REFERENCE	
COLOUR	
LENGTH	
PIECES	

NOTES

material: Colored metal sheet
 thickness [mm]: 0,6
 sheet width [mm]: 115
 folds: 5
 Lmax [mm] = 6000

ELEMENT_ O1752_Drip flashing mask - head

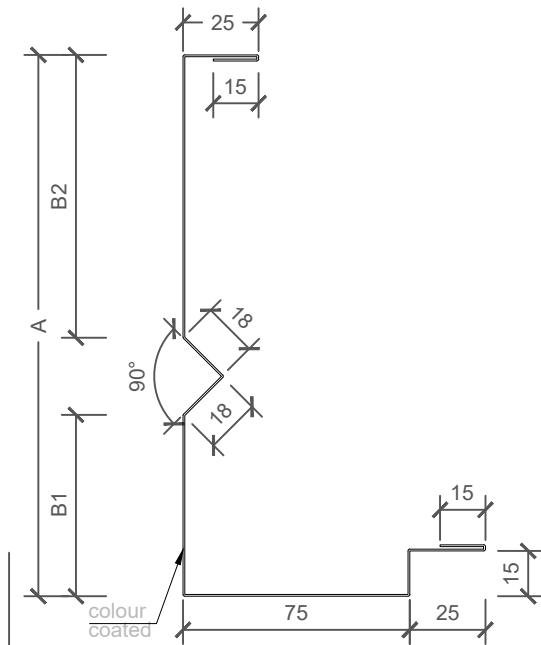


REFERENCE	
COLOUR	
A	0
B1	
B2	
SHEET WIDTH	90
LENGTH	
PIECES	

NOTES

material: Colored metal sheet
 thickness [mm]: 0,6
 sheet width [mm]: A+90
 folds: 8
 Lmax [mm] = 6000

ELEMENT_O1754_Jamb flashing



REFERENCE	
COLOUR	
A	0
B1	
B2	
SHEET WIDTH	180
LENGTH	
PIECES	

NOTES
 material: Colored metal sheet
 thickness [mm]: 0,6
 sheet width [mm]: A+180
 folds: 11
 Lmax [mm] = 6000

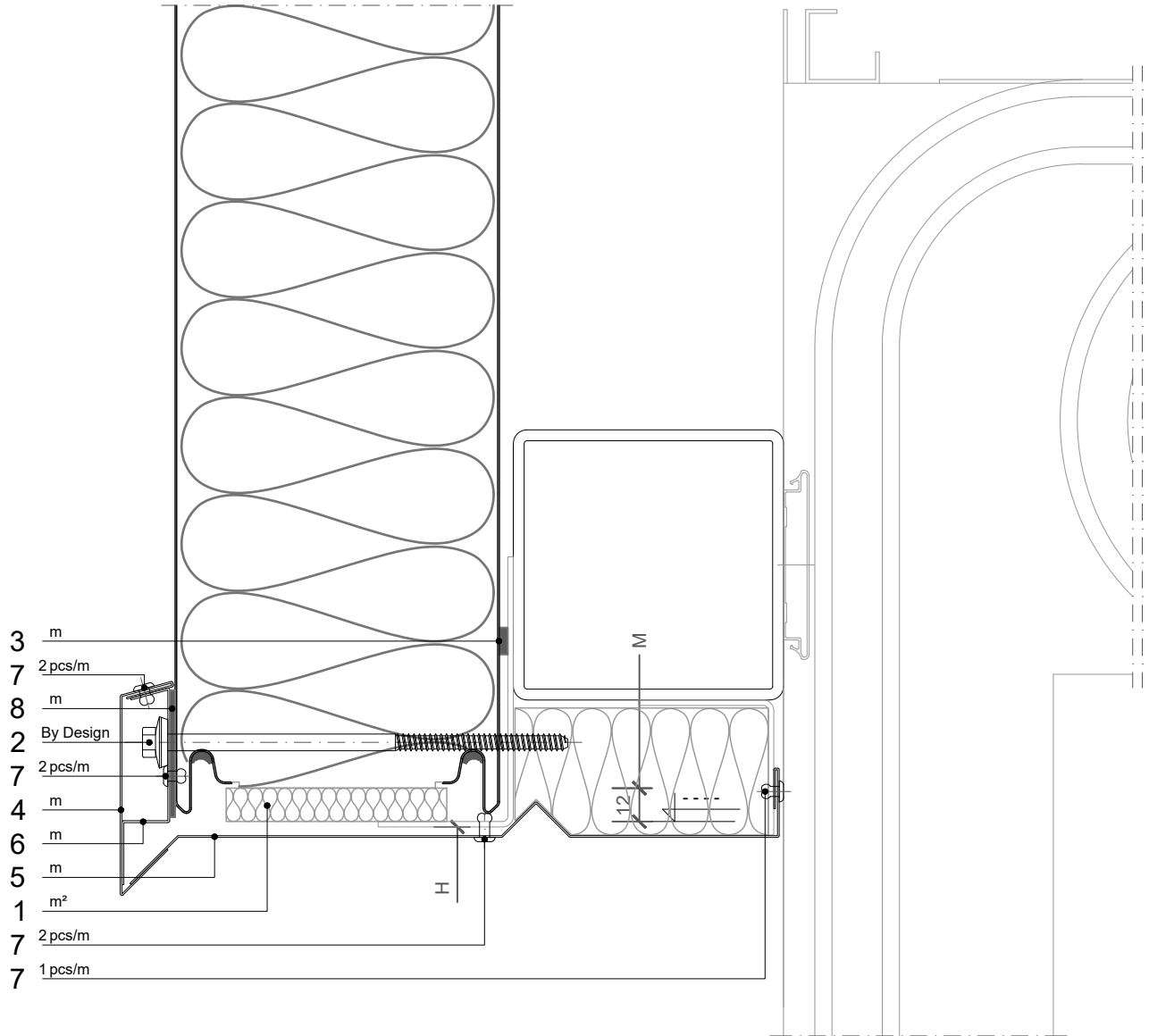
HORIZONTAL INSTALLATION

TRIMOTERM FTV

BUILDING APPLICATION

- External Facade
- Internal Wall
- Roof
- External Soffit
- Internal Ceiling
- Backing panel

VERTICAL CUT - HEAD



NOTES

- Door installation according project requirement - not Trimo d.o.o. scope

POS	CODE	ELEMENT	AMOUNT	UNIT
1	30027144	Thermal insulation		m ²
2	V130	Fixing screw	By Design	
3	30006985	Self adhesive sealing tape 5x10xL		m
4	O076	Drip flashing mask	dwg	
5	O1753	Drip flashing mask - head	dwg	
6	O078	Drip Flashing support	dwg	
7	K001	Rivet 4xL		pcs
8	5012487	Self adhesive sealing tape EPDM 2x47x100 (under the fixing)		m

SCALE: M 1:2.5

DOOR 01

Trimo Group holds full copyrights on the information and details provided on this media, therefore any unauthorized reproduction and distribution is strictly prohibited.

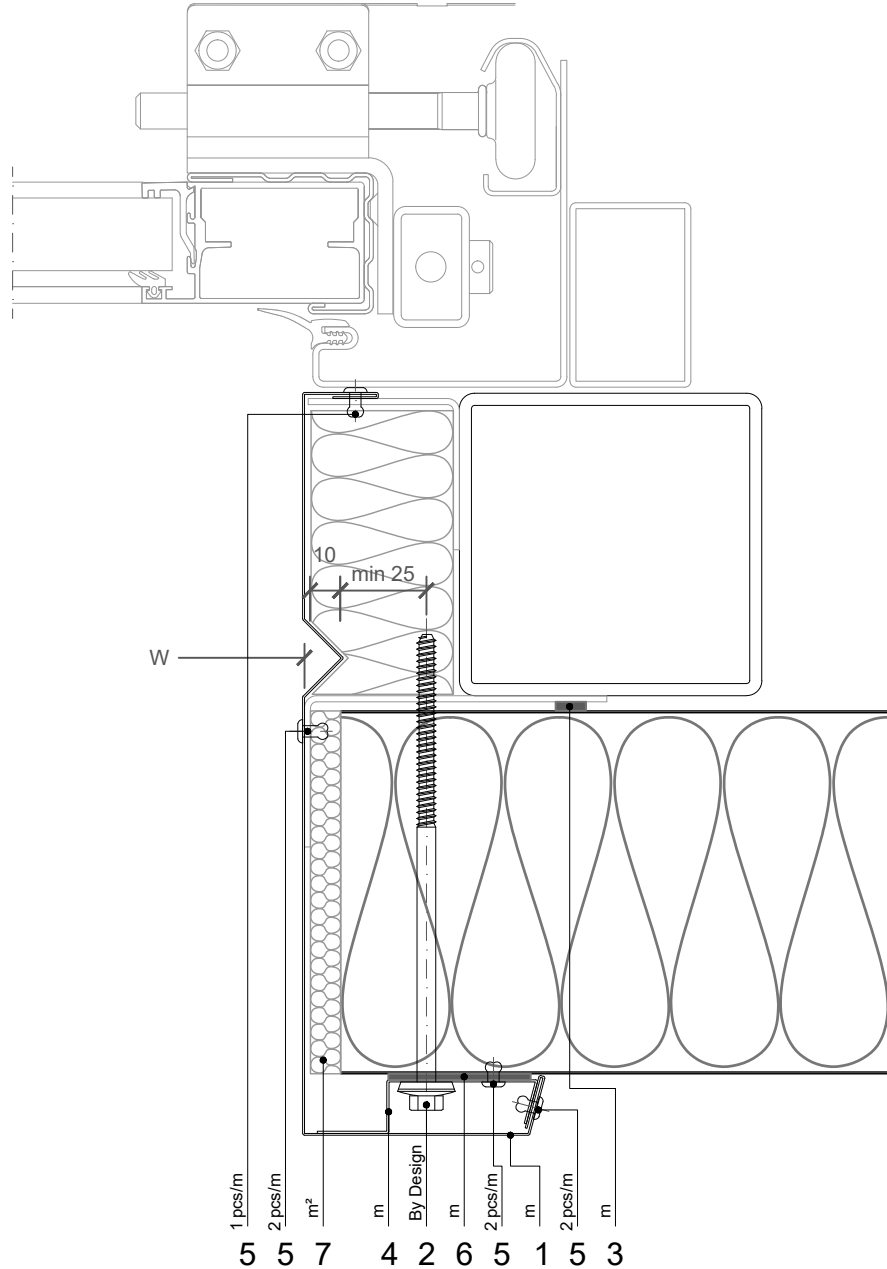
HORIZONTAL INSTALLATION

TRIMOTERM FTV

BUILDING APPLICATION

- External Facade
- Internal Wall
- Roof
- External Soffit
- Internal Ceiling
- Backing panel

HORIZONTAL CUT - JAMB



NOTES

- Apply mastic seal (acc. **TE-H-01.01 - ELEMENTS 01**)
- Door installation according project requirement - not Trimo d.o.o. scope

POS	CODE	ELEMENT	AMOUNT	UNIT
1	O1755	Jamb flashing	dwg	
2	V130	Fixing screw	By Design	
3	30006985	Self adhesive sealing tape 5x10xL		m
4	O078	Flashing support	dwg	
5	K001	Rivet 4xL		pcs
6	5012487	Self adhesive sealing tape EPDM 2x47x100 (under the fixing)		m
7	30027144	Thermal insulation		m ²

SCALE: M 1:2.5

DOOR 02

Trimo Group holds full copyrights on the information and details provided on this media, therefore any unauthorized reproduction and distribution is strictly prohibited.

DOOR DIMENSIONS - SCHEMATIC

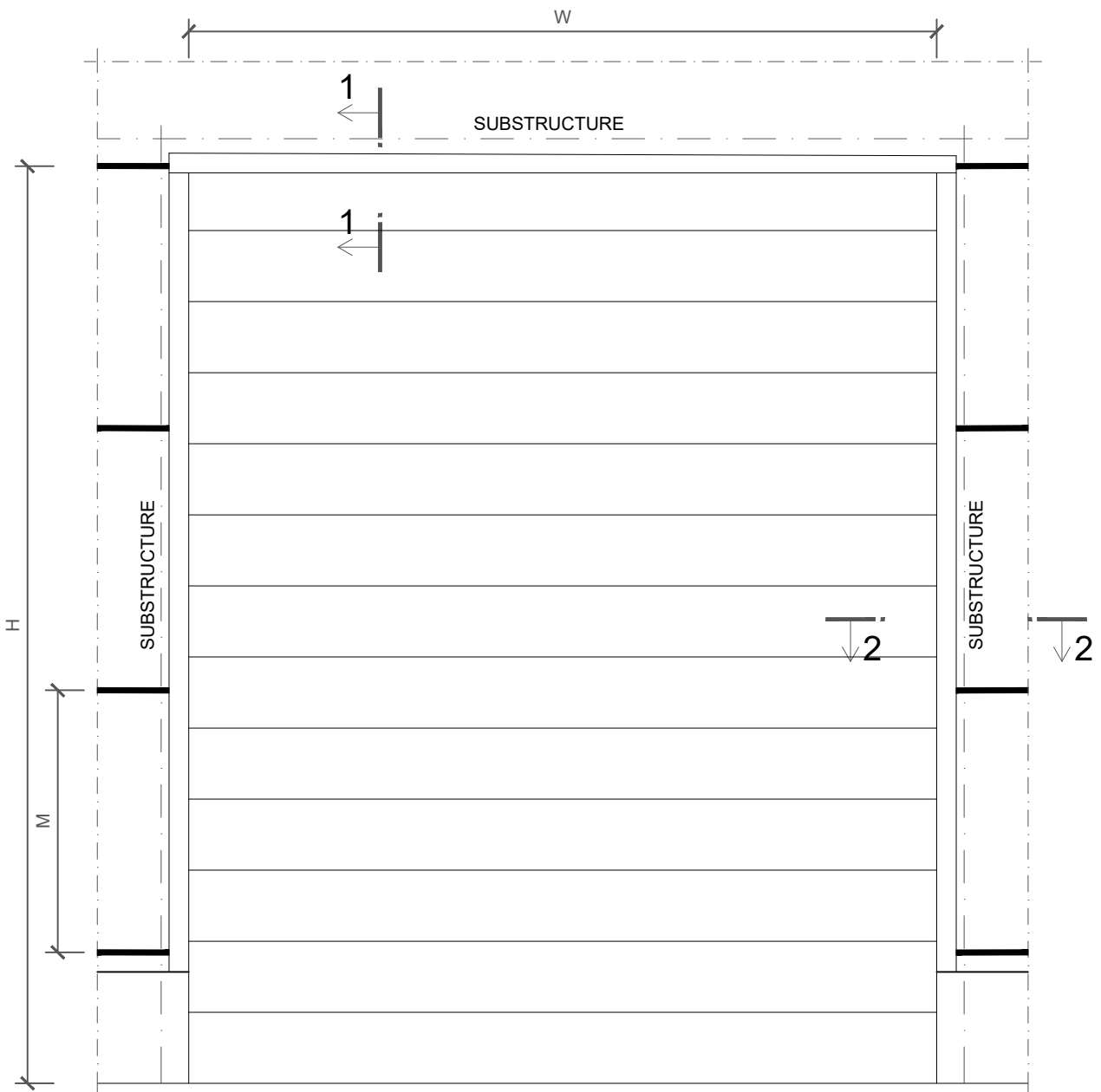
H ... DOOR VERTICAL DIMENSIONS

W ... DOOR HORIZONTAL DIMENSIONS

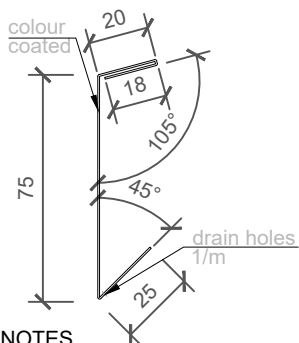
M ... PANEL MODULE

1-1 ... VERTICAL CUT

2-2 ... HORIZONTAL CUT



ELEMENT_ O076_Drip flashing mask

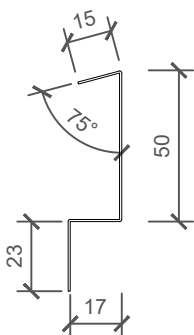


REFERENCE	
COLOUR	
LENGTH	
PIECES	

NOTES

material: Colored metal sheet
 thickness [mm]: 0,6
 sheet width [mm]: 138
 folds: 4
 Lmax [mm] = 6000

ELEMENT_ O078_Flashing support

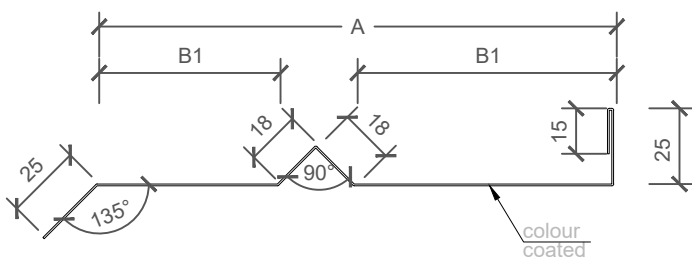


REFERENCE	
LENGTH	
PIECES	

NOTES

material: Galvanized metal sheet
 thickness [mm]: 0,7
 sheet width [mm]: 105
 folds: 3
 Lmax [mm] = 6000

ELEMENT_ O1753_Drip flashing mask - head

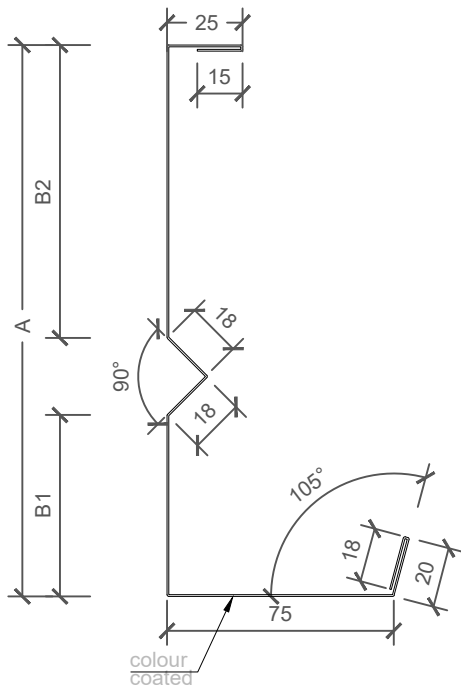


REFERENCE	
COLOUR	
A	
B1	
B2	
SHEET WIDTH	75
LENGTH	
PIECES	

NOTES

material: Colored metal sheet
 thickness [mm]: 0,6
 sheet width [mm]: A+75
 folds: 7
 Lmax [mm] = 6000

ELEMENT_O1755_Jamb flashing



REFERENCE	
COLOUR	
A	0
B1	
B2	
SHEET WIDTH	163
LENGTH	
PIECES	

NOTES
 material: Colored metal sheet
 thickness [mm]: 0,6
 sheet width [mm]: A+163
 folds: 10
 Lmax [mm] = 6000

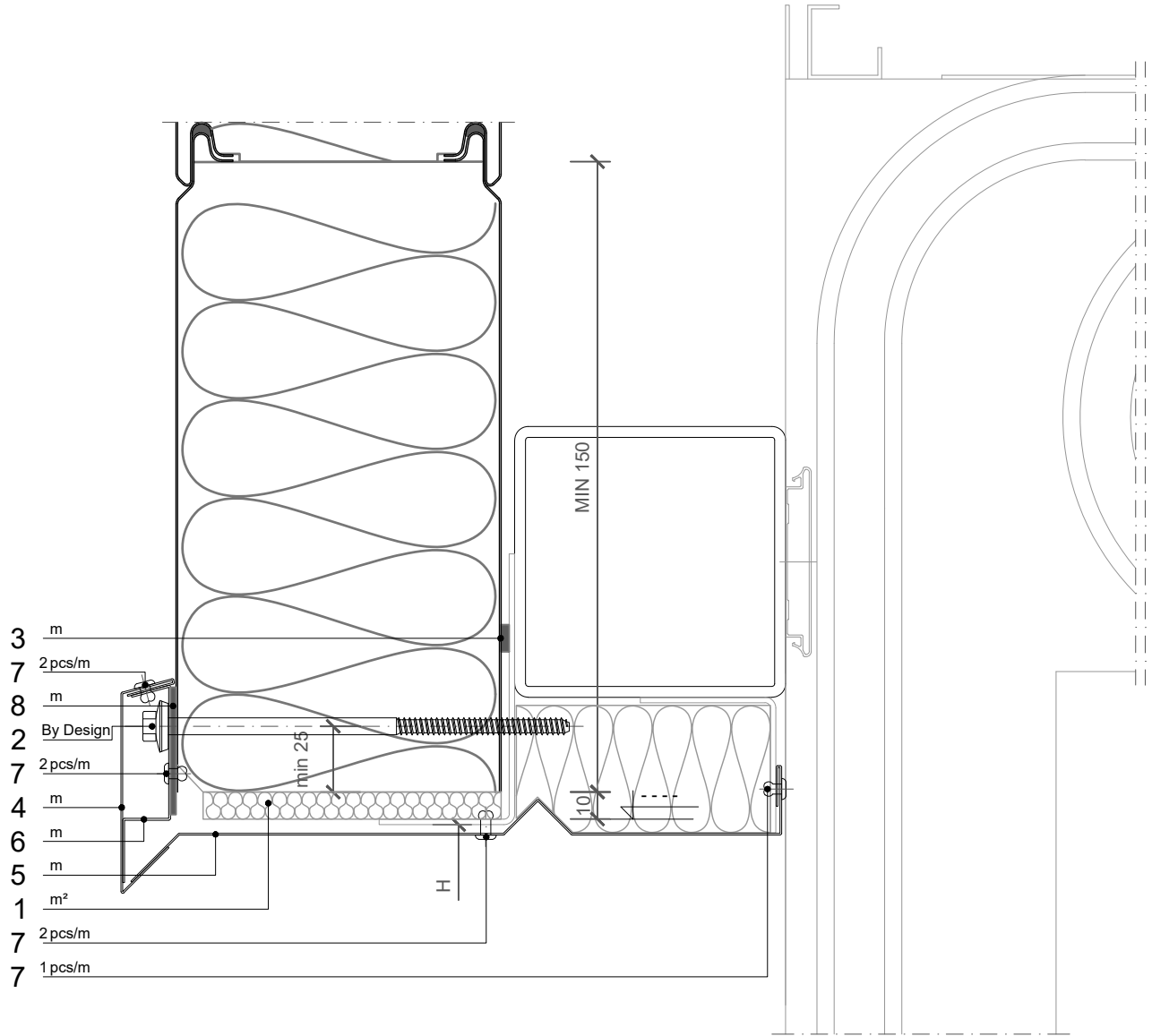
HORIZONTAL INSTALLATION

TRIMOTERM FTV

BUILDING APPLICATION

- External Facade
- Internal Wall
- Roof
- External Soffit
- Internal Ceiling
- Backing panel

VERTICAL CUT - HEAD



NOTES

- Door installation according project requirement - not Trimo d.o.o. scope

POS	CODE	ELEMENT	AMOUNT	UNIT
1	30027144	Thermal insulation		m ²
2	V130	Fixing screw	By Design	
3	30006985	Self adhesive sealing tape 5x10xL		m
4	O076	Drip flashing mask	dwg	
5	O1753	Drip flashing mask - head	dwg	
6	O078	Drip Flashing support	dwg	
7	K001	Rivet 4xL		pcs
8	5012487	Self adhesive sealing tape EPDM 2x47x100 (under the fixing)		m

SCALE: M 1:2.5

DOOR 01

Trimo Group holds full copyrights on the information and details provided on this media, therefore any unauthorized reproduction and distribution is strictly prohibited.

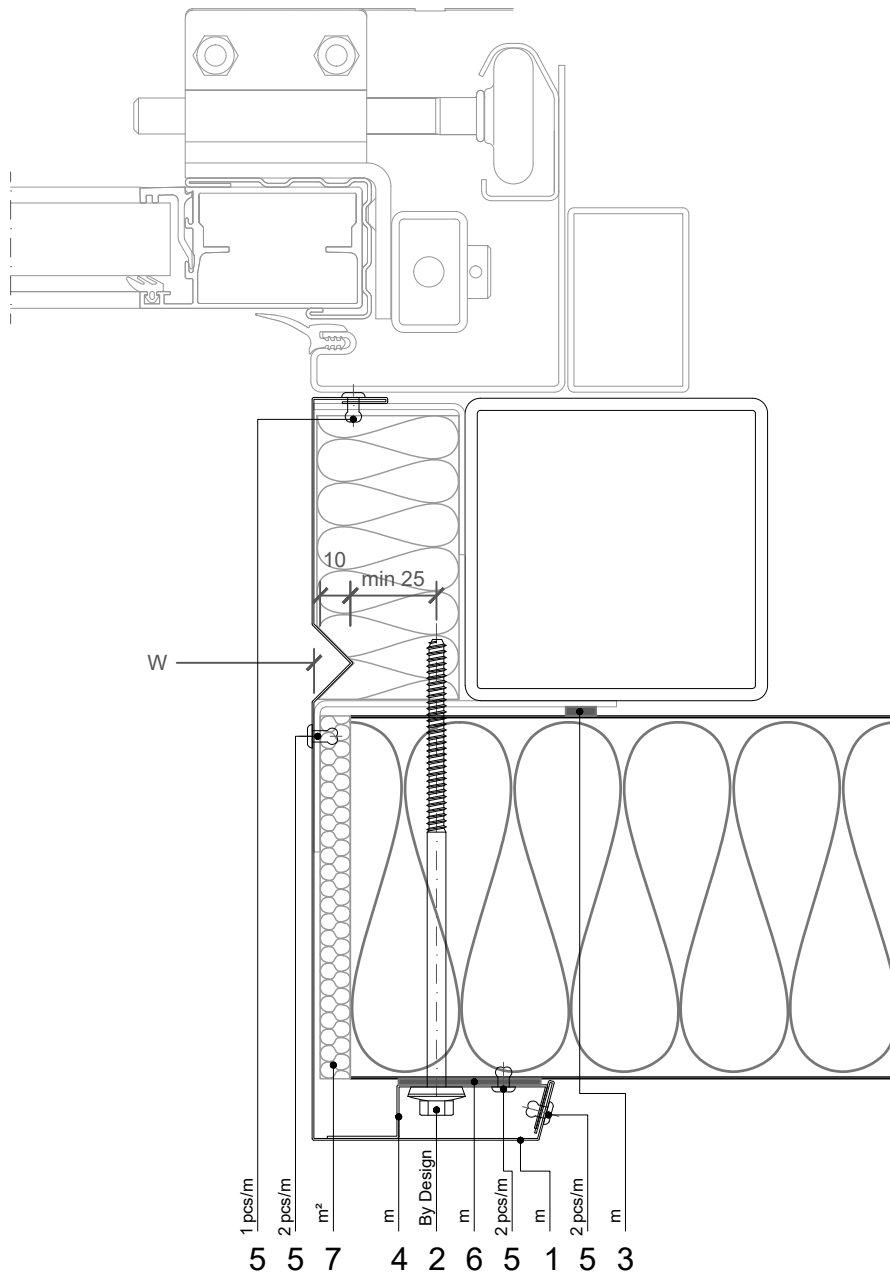
HORIZONTAL INSTALLATION

TRIMOTERM FTV

BUILDING APPLICATION

- External Facade
- Internal Wall
- Roof
- External Soffit
- Internal Ceiling
- Backing panel

HORIZONTAL CUT - JAMB



NOTES

- Apply mastic seal (acc. **TE-H-01.01 - ELEMENTS 01**)
- Door installation according project requirement - not Trimo d.o.o. scope

POS	CODE	ELEMENT	AMOUNT	UNIT
1	O1755	Jamb flashing	dwg	
2	V130	Fixing screw	By Design	
3	30006985	Self adhesive sealing tape 5x10xL		m
4	O078	Flashing support	dwg	
5	K001	Rivet 4xL		pcs
6	5012487	Self adhesive sealing tape EPDM 2x47x100 (under the fixing)		m
7	30027144	Thermal insulation		m²

SCALE: M 1:2.5

DOOR 02

Trimo Group holds full copyrights on the information and details provided on this media, therefore any unauthorized reproduction and distribution is strictly prohibited.

DOOR DIMENSIONS - SCHEMATIC

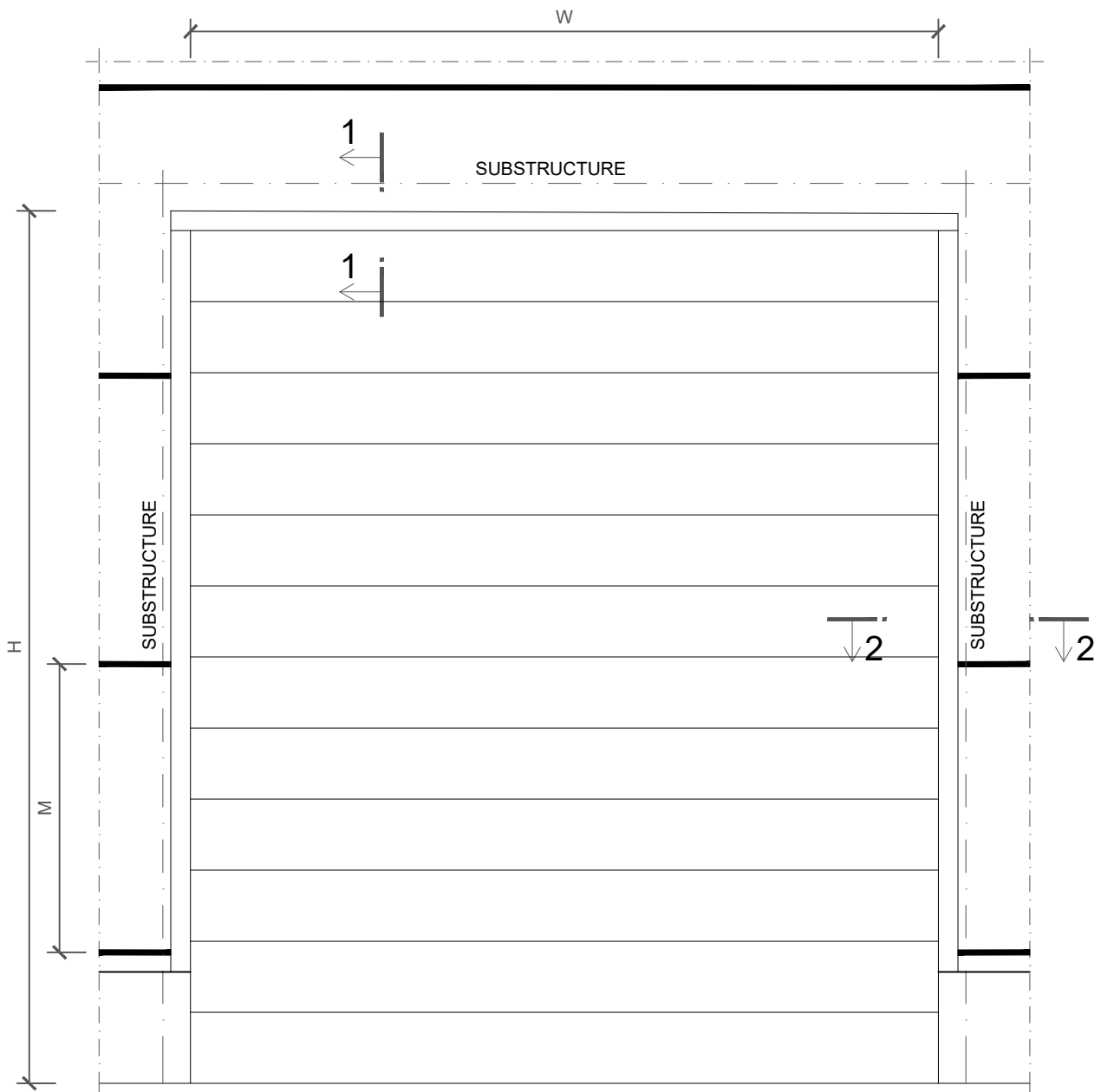
H ... DOOR VERTICAL DIMENSIONS

W ... DOOR HORIZONTAL DIMENSIONS

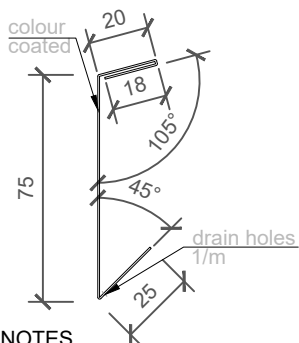
M ... PANEL MODULE

1-1 ... VERTICAL CUT

2-2 ... HORIZONTAL CUT



ELEMENT_ O076_Drip flashing mask

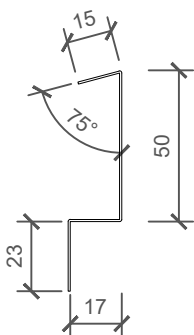


REFERENCE	
COLOUR	
LENGTH	
PIECES	

NOTES

material: Colored metal sheet
 thickness [mm]: 0,6
 sheet width [mm]: 138
 folds: 4
 Lmax [mm] = 6000

ELEMENT_ O078_Flashing support

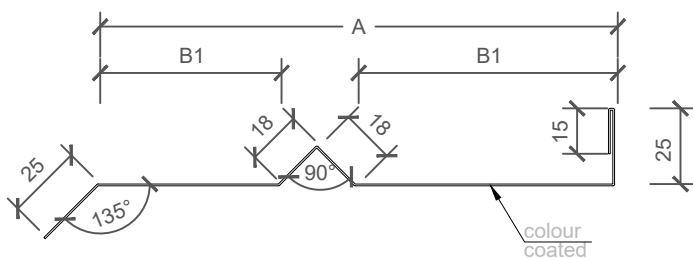


REFERENCE	
LENGTH	
PIECES	

NOTES

material: Galvanized metal sheet
 thickness [mm]: 0,7
 sheet width [mm]: 105
 folds: 3
 Lmax [mm] = 6000

ELEMENT_ O1753_Drip flashing mask - head

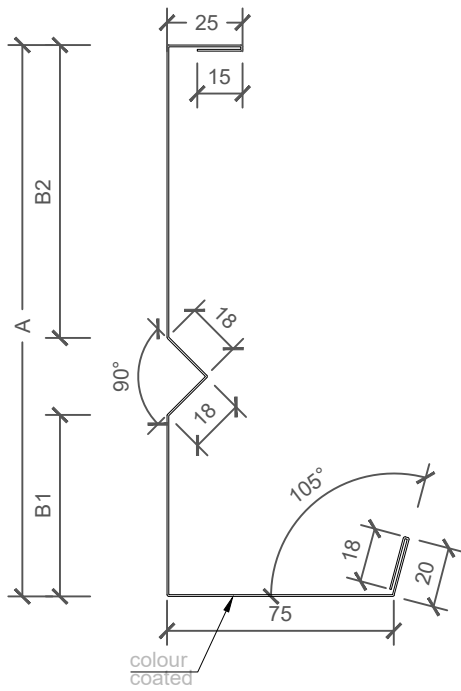


REFERENCE	
COLOUR	
A	
B1	
B2	
SHEET WIDTH	75
LENGTH	
PIECES	

NOTES

material: Colored metal sheet
 thickness [mm]: 0,6
 sheet width [mm]: A+75
 folds: 7
 Lmax [mm] = 6000

ELEMENT_O1755_Jamb flashing



REFERENCE	
COLOUR	
A	0
B1	
B2	
SHEET WIDTH	163
LENGTH	
PIECES	

NOTES
 material: Colored metal sheet
 thickness [mm]: 0,6
 sheet width [mm]: A+163
 folds: 10
 Lmax [mm] = 6000

HORIZONTAL INSTALLATION

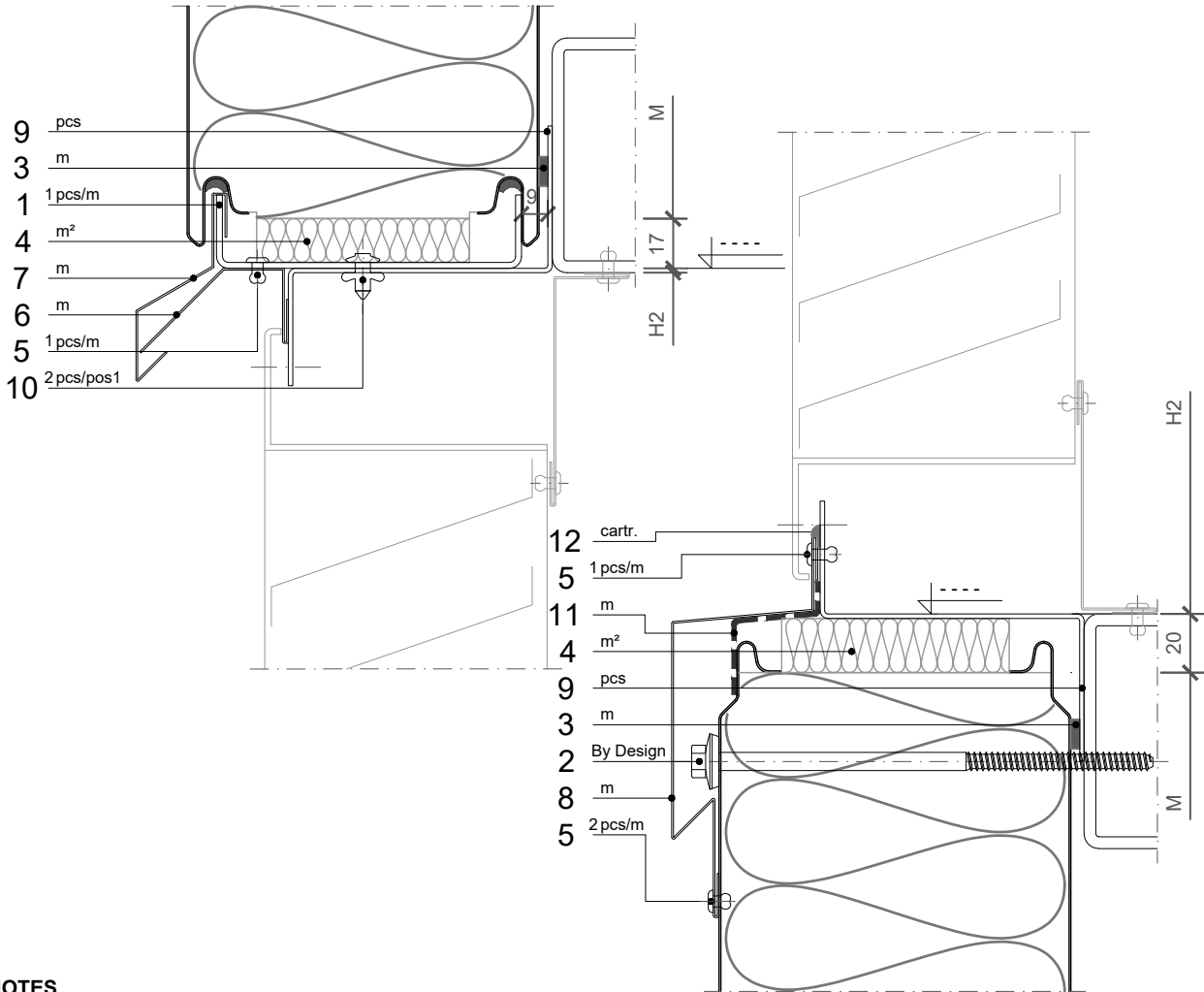
TRIMOTERM FTV

BUILDING APPLICATION

- External Facade
- Internal Wall
- Roof
- External Soffit
- Internal Ceiling
- Backing panel

VERTICAL CUT - HEAD

VERTICAL CUT - SILL



NOTES

- Blind installation according project requirement - not Trimo d.o.o. scope
- For thicker panels mechanical treatment is needed for installation

POS	CODE	ELEMENT	AMOUNT	UNIT
1	N005	Panel support profile	dwg	
2	V130	Fixing screw	By Design	
3	30006985	Self adhesive sealing tape 5x10xL		m
4	30027144	Thermal insulation		m ²
5	K001	Rivet 4xL		pcs
6	O0154	Drip flashing mask - head	dwg	
7	O103	Drip flashing - head	dwg	
8	O0155	Drip flashing - sill	dwg	
9	N195	Support frame	dwg	
10	K011	Bulb tite rivet 5,2xL		pcs
11	30009208	Vapour control layer - outer; with EPDM glue		m
12	30025810	Mastic sealant		cartr.

SCALE: M 1:2.5

PENETRATION 01

Trimo Group holds full copyrights on the information and details provided on this media, therefore any unauthorized reproduction and distribution is strictly prohibited.

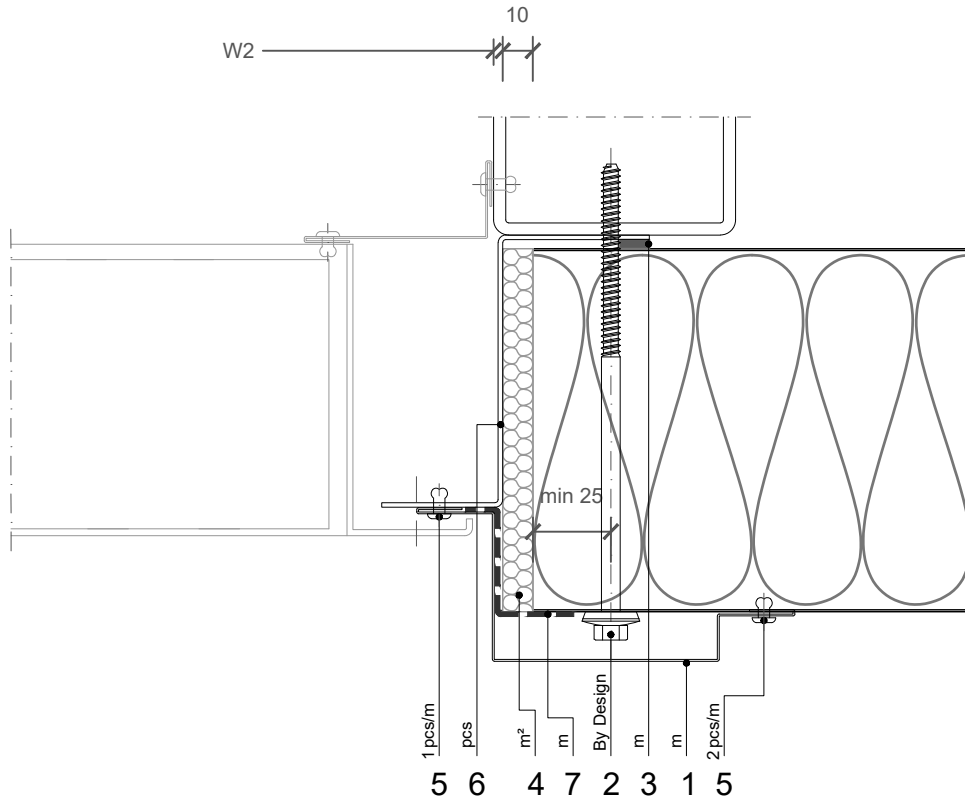
HORIZONTAL INSTALLATION

TRIMOTERM FTV

BUILDING APPLICATION

- External Facade
- Internal Wall
- Roof
- External Soffit
- Internal Ceiling
- Backing panel

HORIZONTAL CUT - JAMB



NOTES

- Apply mastic seal (acc. **TE-H-01.01 - ELEMENTS 01**)
- Blind installation according project requirement - not Trimo d.o.o. scope

POS	CODE	ELEMENT	AMOUNT	UNIT
1	O0156	Jumb flashing	dwg	
2	V130	Fixing screw	By Design	
3	30006985	Self adhesive sealing tape 5x10xL		m
4	30027144	Thermal insulation		m ²
5	K001	Rivet 4xL		pcs
6	N195	Support frame	dwg	
7	30009208	Vapour control layer - outer; with EPDM glue		m

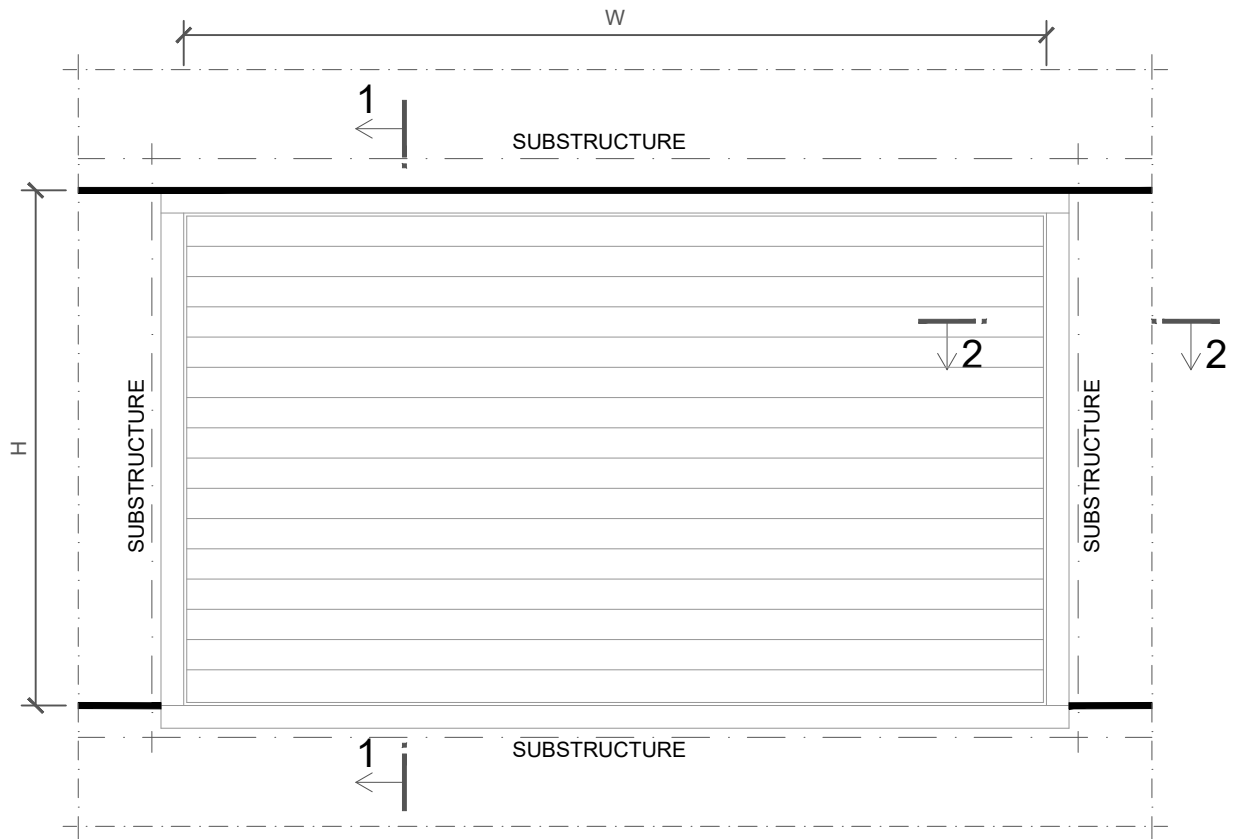
SCALE: M 1:2.5

PENETRATION 02

Trimo Group holds full copyrights on the information and details provided on this media, therefore any unauthorized reproduction and distribution is strictly prohibited.

OPENING DIMENSIONS - SCHEMATIC

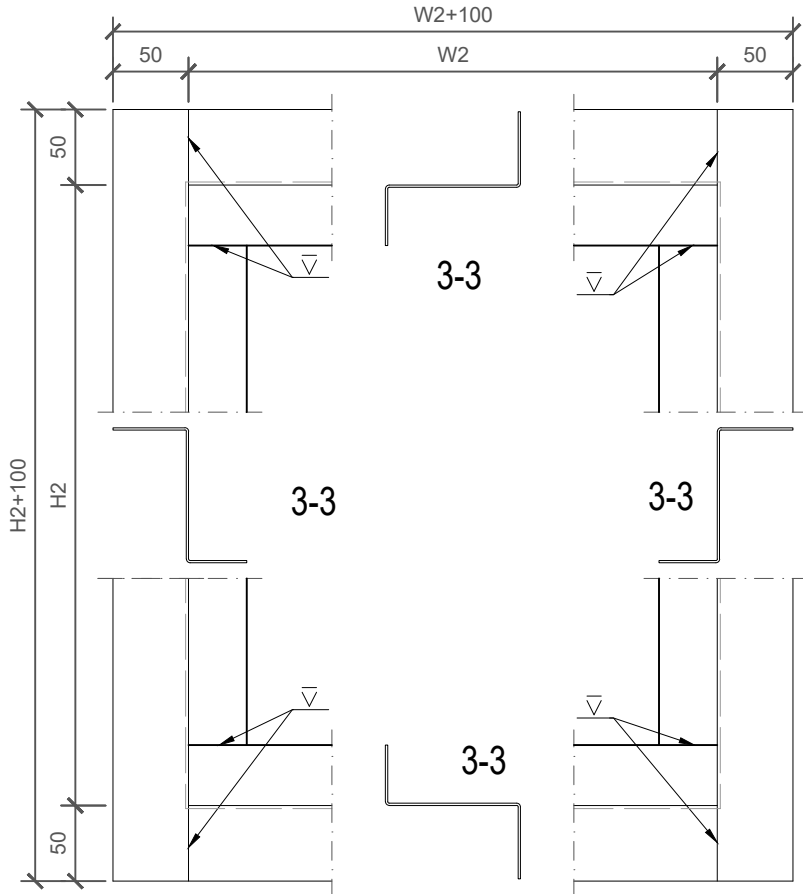
- H ... OPENING VERTICAL DIMENSIONS
- W ... OPENING HORIZONTAL DIMENSIONS
- H2, W2 ... OPENING CLEAR DIMENSIONS
- M ... PANEL MODULE
- 1-1 ... VERTICAL CUT
- 2-2 ... HORIZONTAL CUT



NOTE

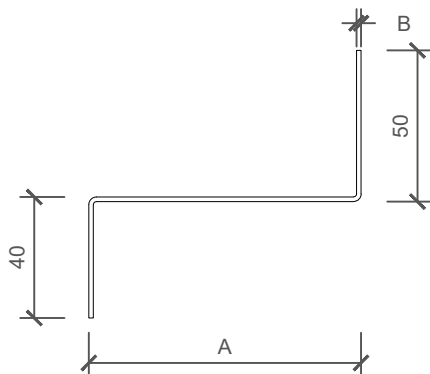
- Performance of a detail without a substructure is allowed only when Trimo technical department has prepared a prior structural calculation.

ELEMENT_ N195_ Support frame



REFERENCE	
H2	
W2	
PIECES	

PANEL THICKNESS	50	60	80	100	120	133	150	172	200	240	250
CODE	N0076	N0076	N0077	N0078	N0079	N0080	N0081	N0082	N0083	N0084	N0085
A	30	30	50	70	90	103	120	142	170	210	220
B	1,5	1,5	1,5	1,5	1,5	2	2	2	2	2	2
STEEL SHEET WIDTH (section 3-3)	114	114	134	154	174	185	202	224	252	292	302



REFERENCE	
LENGTH(W)	
PIECES	

REFERENCE	
LENGTH(H)	
PIECES	

NOTES

material: Zinc - coated metal sheet (B mm)

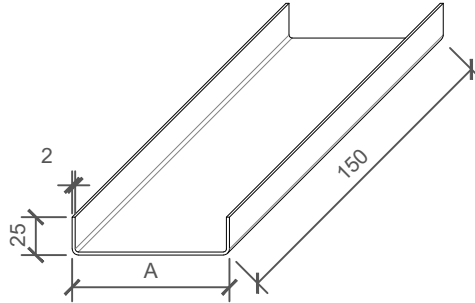
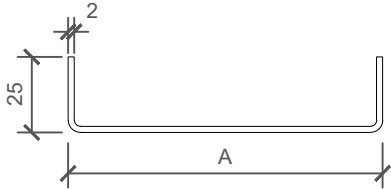
L max = 4000 mm

The weld seam should be protected using a zinc - based paint.

Dimensions should be verified with structural analyses

ELEMENT_ N005_Panel support profile

PANEL THICKNESS	50	60	80	100	120	133	150	172	200	240	250
CODE	N0001	N0002	N0003	N0004	N0005	N0006	N0007	N0008	N0009	N0010	N0011
A	34	44	64	84	104	117	134	156	184	224	234
STEEL SHEET WIDTH	76	86	106	126	146	159	176	198	226	266	276

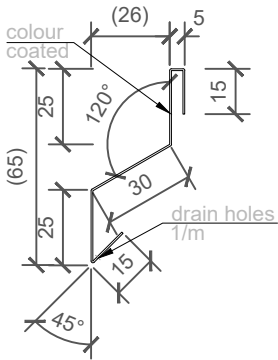


REFERENCE	
A	0
SHEET WIDTH	42
PIECES	

NOTES

material: Zinc - coated metal sheet
 thickness [mm]: 2
 sheet width [mm]: 42+A
 folds: 2
 L [mm] = 150

ELEMENT_ O103_Drip flashing

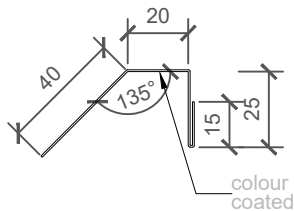


REFERENCE	
COLOUR	
LENGTH	
PIECES	

NOTES

material: Colored metal sheet
 thickness [mm]: 0,6
 sheet width [mm]: 115
 folds: 5
 Lmax [mm] = 6000

ELEMENT_ O0154_Drip flashing - head

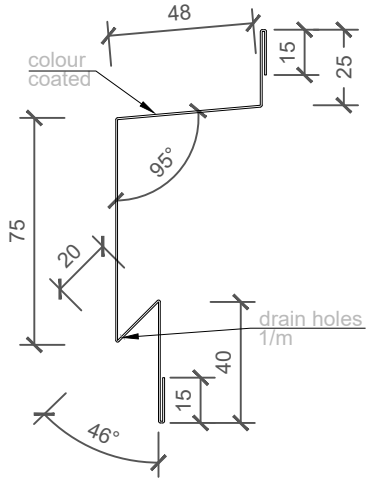


REFERENCE	
COLOUR	
LENGTH	
PIECES	

NOTES

material: Colored metal sheet
 thickness [mm]: 0,6
 sheet width [mm]: 100
 folds: 4
 Lmax [mm] = 6000

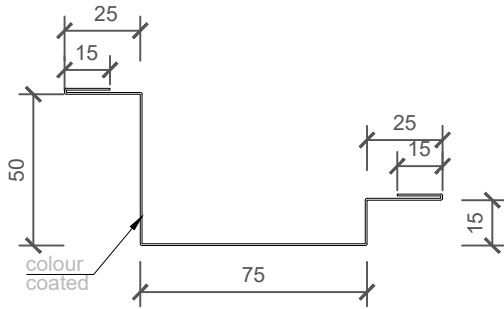
ELEMENT_O0155_Drip flashing - sill



REFERENCE	
COLOUR	
LENGTH	
PIECES	

NOTES
 material: Colored metal sheet
 thickness [mm]: 0,6
 sheet width [mm]: 238
 folds: 8
 Lmax [mm] = 6000

ELEMENT_O0156_Jumb flashing



REFERENCE	
COLOUR	
LENGTH	
PIECES	

NOTES
 material: Colored metal sheet
 thickness [mm]: 0,6
 sheet width [mm]: 220
 folds: 8
 Lmax [mm] = 6000

HORIZONTAL INSTALLATION

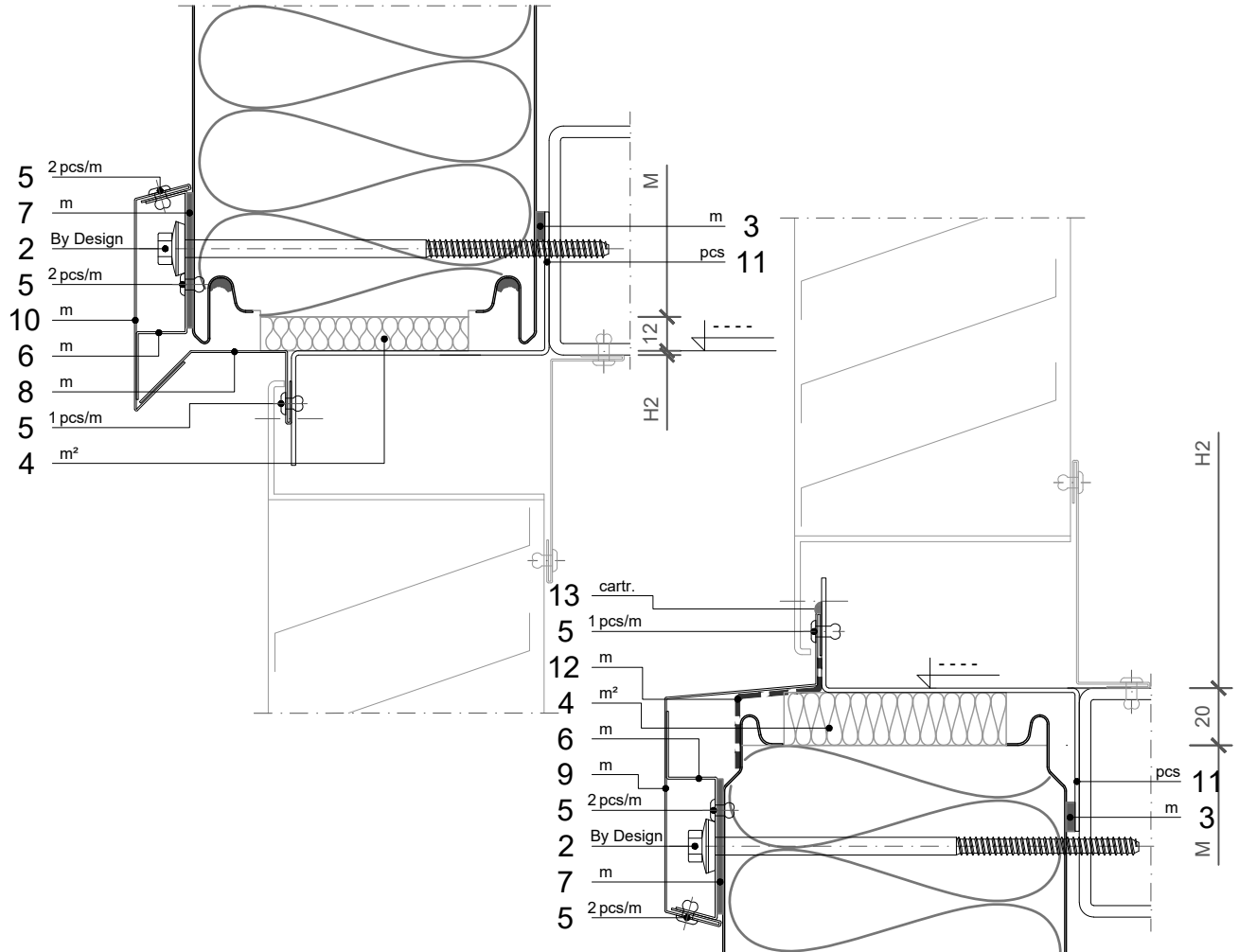
TRIMOTERM FTV

BUILDING APPLICATION

- External Facade
- Internal Wall
- Roof
- External Soffit
- Internal Ceiling
- Backing panel

VERTICAL CUT - HEAD

VERTICAL CUT - SILL



NOTES

- Blind installation according project requirement - not Trimo d.o.o. scope
- For thicker panels mechanical treatment is needed for installation

POS	CODE	ELEMENT	AMOUNT	UNIT
2	V130	Fixing screw	By Design	
3	30006985	Self adhesive sealing tape 5x10xL		m
4	30027144	Thermal insulation		m ²
5	K001	Rivet 4xL		pcs
6	O078	Flashing support	dwg	
7	5012487	Self adhesive sealing tape EPDM 2x47x100 (under the fixing)		m
8	O0158	Drip flashing mask - head	dwg	
9	O0159	Drip flashing - sill	dwg	
10	O076	Drip flashing mask	dwg	
11	N195	Support frame	dwg	
12	30009208	Vapour control layer - outer; with EPDM glue		m
13	30025810	Mastic sealant		cartr.

SCALE: M 1:2.5

PENETRATION 01

Trimo Group holds full copyrights on the information and details provided on this media, therefore any unauthorized reproduction and distribution is strictly prohibited.

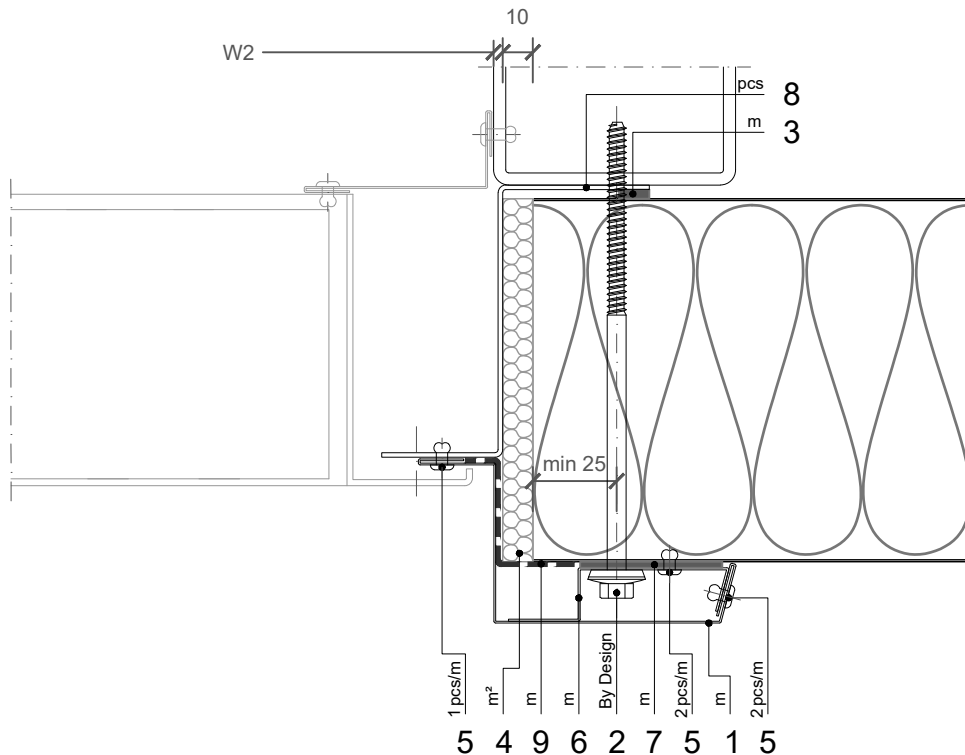
HORIZONTAL INSTALLATION

TRIMOTERM FTV

BUILDING APPLICATION

- External Facade
- Internal Wall
- Roof
- External Soffit
- Internal Ceiling
- Backing panel

HORIZONTAL CUT - JAMB



NOTES

- Apply mastic seal (acc. **TE-H-01.01 - ELEMENTS 01**)
- Blind installation according project requirement - not Trimo d.o.o. scope

POS	CODE	ELEMENT	AMOUNT	UNIT
1	O0160	Jamb flashing	dwg	
2	V130	Fixing screw	By Design	
3	30006985	Self adhesive sealing tape 5x10xL		m
4	30027144	Thermal insulation		m ²
5	K001	Rivet 4xL		pcs
6	O078	Flashing support	dwg	
7	5012487	Self adhesive sealing tape EPDM 2x47x100 (under the fixing)		m
8	N195	Support frame	dwg	
9	30009208	Vapour control layer - outer; with EPDM glue		m

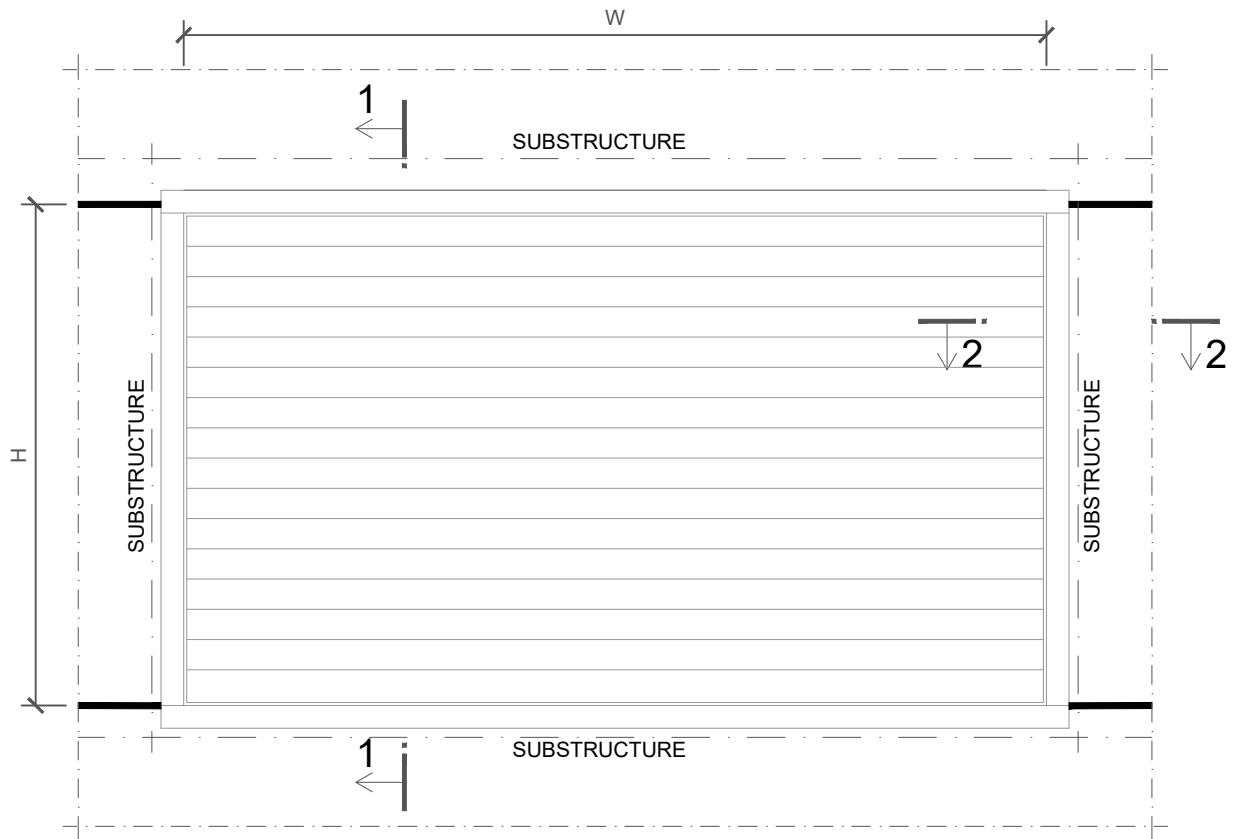
SCALE: M 1:2.5

PENETRATION 02

Trimo Group holds full copyrights on the information and details provided on this media, therefore any unauthorized reproduction and distribution is strictly prohibited.

OPENING DIMENSIONS - SCHEMATIC

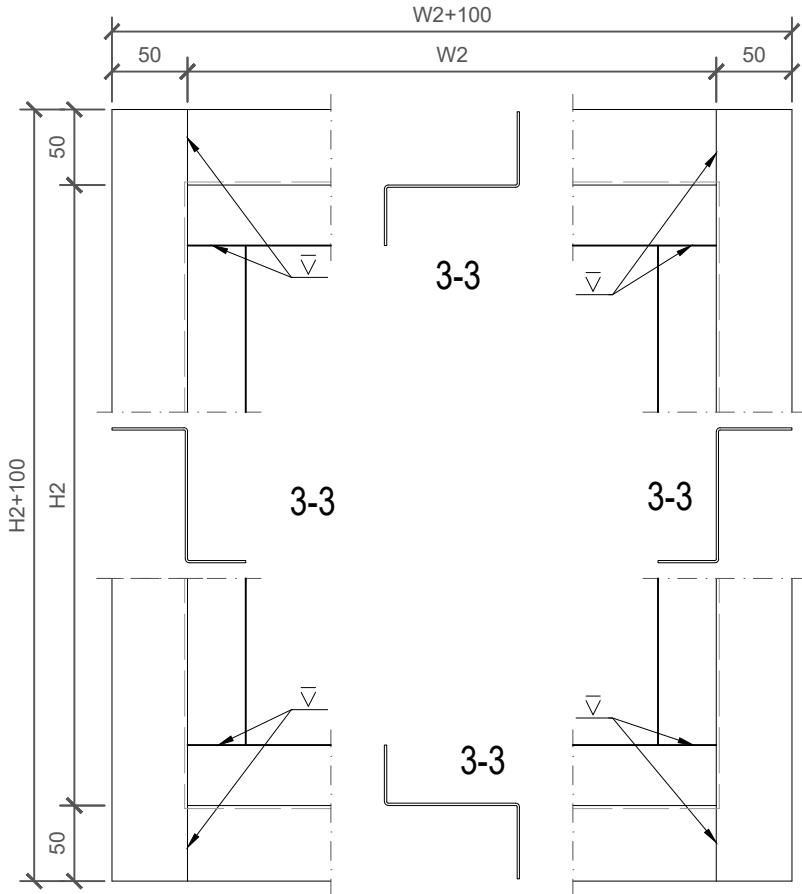
- H ... OPENING VERTICAL DIMENSIONS
- W ... OPENING HORIZONTAL DIMENSIONS
- H2, W2 ... OPENING CLEAR DIMENSIONS
- M ... PANEL MODULE
- 1-1 ... VERTICAL CUT
- 2-2 ... HORIZONTAL CUT



NOTE

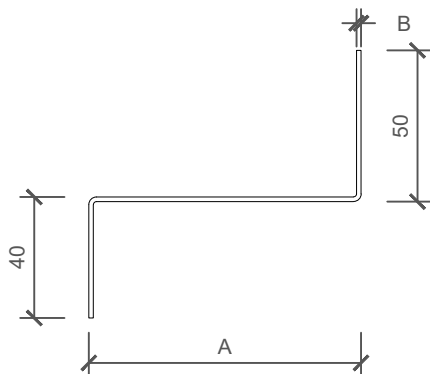
- Performance of a detail without a substructure is allowed only when Trimo technical department has prepared a prior structural calculation.

ELEMENT_ N195_ Support frame



REFERENCE	
H2	
W2	
PIECES	

PANEL THICKNESS	50	60	80	100	120	133	150	172	200	240	250
CODE	N0076	N0076	N0077	N0078	N0079	N0080	N0081	N0082	N0083	N0084	N0085
A	30	30	50	70	90	103	120	142	170	210	220
B	1,5	1,5	1,5	1,5	1,5	2	2	2	2	2	2
STEEL SHEET WIDTH (section 3-3)	114	114	134	154	174	185	202	224	252	292	302



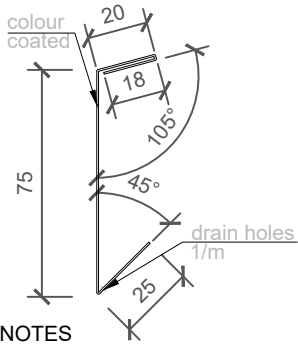
REFERENCE	
LENGTH(W)	
PIECES	

REFERENCE	
LENGTH(H)	
PIECES	

NOTES

material: Zinc - coated metal sheet (B mm)
 L max = 4000 mm
 The weld seam should be protected using a zinc - based paint.
 Dimensions should be verified with structural analyses

ELEMENT_ O076_Drip flashing mask

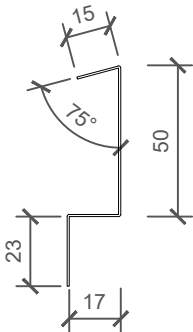


REFERENCE	
COLOUR	
LENGTH	
PIECES	

NOTES

material: Colored metal sheet
 thickness [mm]: 0,6
 sheet width [mm]: 138
 folds: 4
 Lmax [mm] = 6000

ELEMENT_ O078_Flashing support

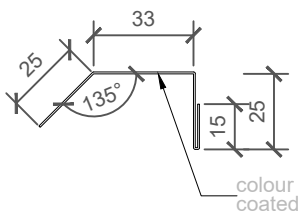


REFERENCE	
LENGTH	
PIECES	

NOTES

material: Galvanized metal sheet
 thickness [mm]: 0,7
 sheet width [mm]: 105
 folds: 3
 Lmax [mm] = 6000

ELEMENT_ O0158_Drip flashing - head

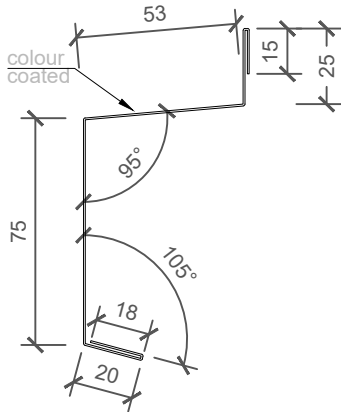


REFERENCE	
COLOUR	
LENGTH	
PIECES	

NOTES

material: Colored metal sheet
 thickness [mm]: 0,6
 sheet width [mm]: 98
 folds: 4
 Lmax [mm] = 6000

ELEMENT_O0159_Drip flashing - sill

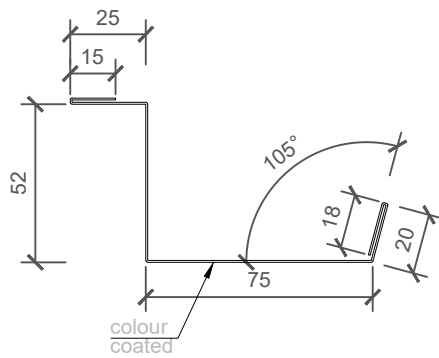


REFERENCE	
COLOUR	
LENGTH	
PIECES	

NOTES

material: Colored metal sheet
 thickness [mm]: 0,6
 sheet width [mm]: 206
 folds: 7
 Lmax [mm] = 6000

ELEMENT_O0160_Jamb flashing



REFERENCE	
COLOUR	
LENGTH	
PIECES	

NOTES

material: Colored metal sheet (0,6 mm)
 thickness [mm]: 0,6
 sheet width [mm]: 205
 folds: 7
 Lmax [mm] = 6000

HORIZONTAL INSTALLATION

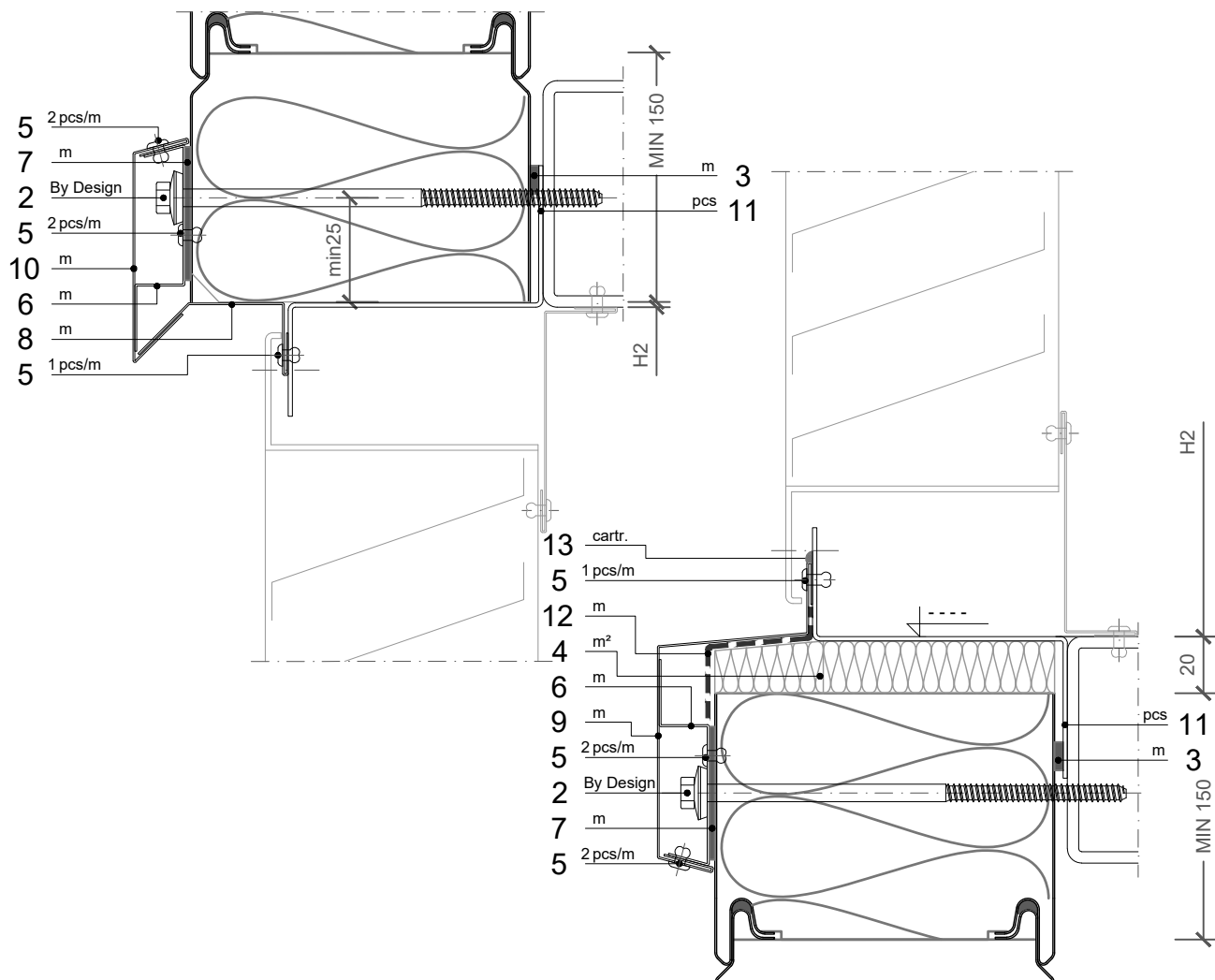
TRIMOTERM FTV

BUILDING APPLICATION

- External Facade
- Internal Wall
- Roof
- External Soffit
- Internal Ceiling
- Backing panel

VERTICAL CUT - HEAD

VERTICAL CUT - SILL



NOTES

- Blind installation according project requirement - not Trimo d.o.o. scope
- For thicker panels mechanical treatment is needed for installation

POS	CODE	ELEMENT	AMOUNT	UNIT
2	V130	Fixing screw	By Design	
3	30006985	Self adhesive sealing tape 5x10xL		m
4	30027144	Thermal insulation		m ²
5	K001	Rivet 4xL		pcs
6	O078	Flashing support	dwg	
7	5012487	Self adhesive sealing tape EPDM 2x47x100 (under the fixing)		m
8	O0158	Drip flashing mask - head	dwg	
9	O0159	Drip flashing - sill	dwg	
10	O076	Drip flashing mask	dwg	
11	N195	Support frame	dwg	
12	30009208	Vapour control layer - outer; with EPDM glue		m
13	30025810	Mastic sealant		cartr.

SCALE: M 1:2.5

PENETRATION 01

Trimo Group holds full copyrights on the information and details provided on this media, therefore any unauthorized reproduction and distribution is strictly prohibited.

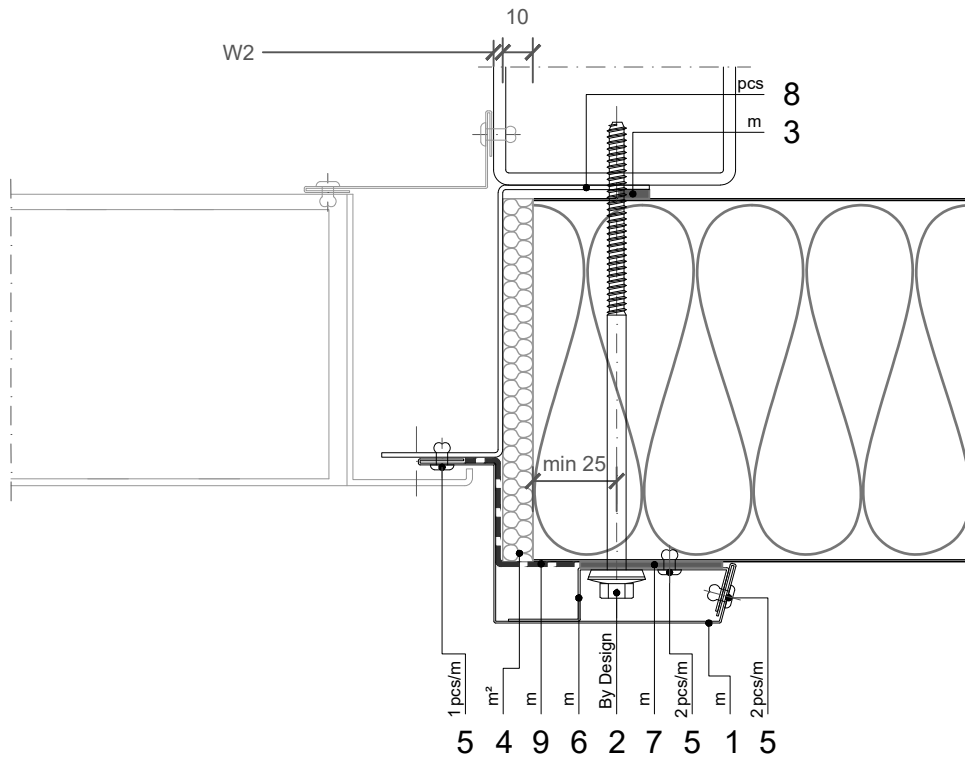
HORIZONTAL INSTALLATION

TRIMOTERM FTV

BUILDING APPLICATION

- External Facade
- Internal Wall
- Roof
- External Soffit
- Internal Ceiling
- Backing panel

HORIZONTAL CUT - JAMB



NOTES

- Apply mastic seal (acc. TE-H-01.01 - ELEMENTS 01)
- Blind installation according project requirement - not Trimo d.o.o. scope

POS	CODE	ELEMENT	AMOUNT	UNIT
1	O0160	Jamb flashing	dwg	
2	V130	Fixing screw	By Design	
3	30006985	Self adhesive sealing tape 5x10xL		m
4	30027144	Thermal insulation		m ²
5	K001	Rivet 4xL		pcs
6	O078	Flashing support	dwg	
7	5012487	Self adhesive sealing tape EPDM 2x47x100 (under the fixing)		m
8	N195	Support frame	dwg	
9	30009208	Vapour control layer - outer; with EPDM glue		m

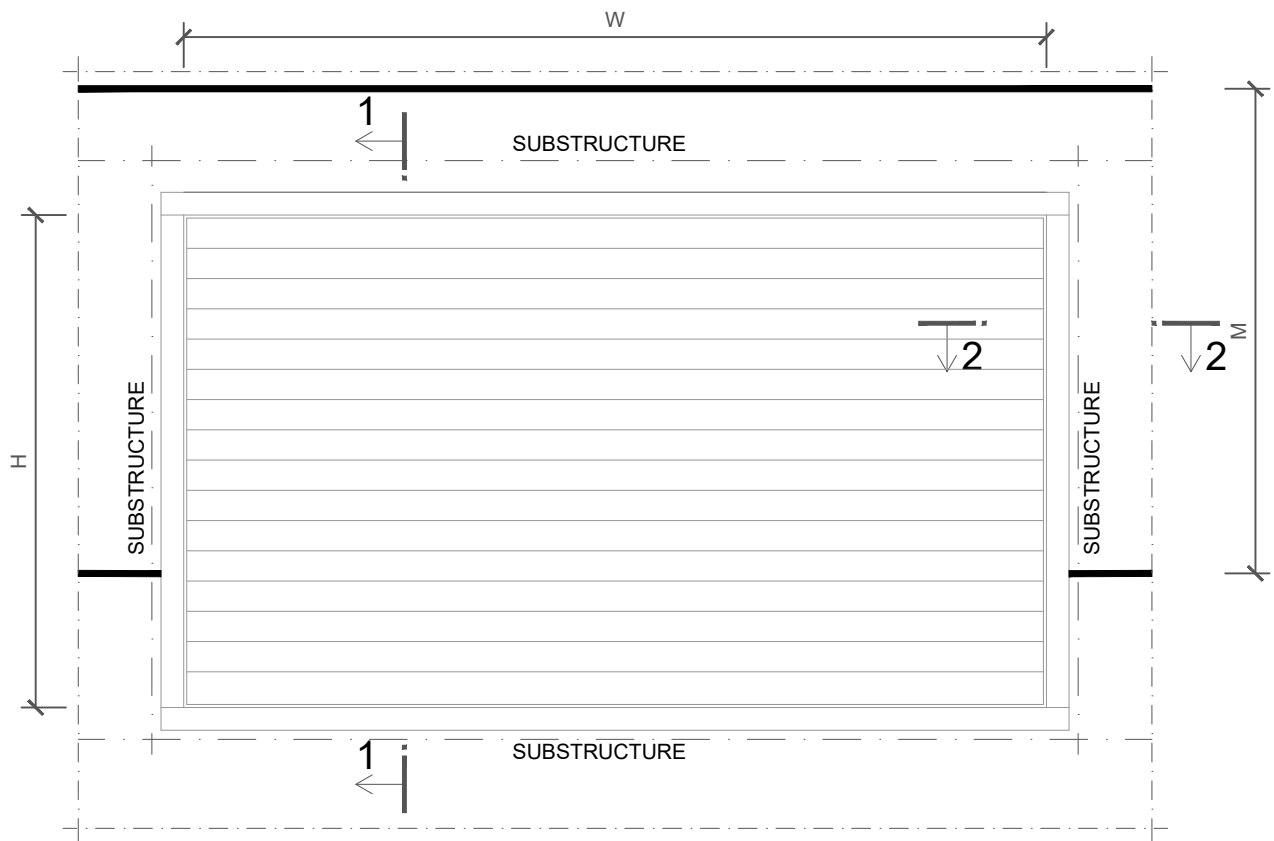
SCALE: M 1:2.5

PENETRATION 02

Trimo Group holds full copyrights on the information and details provided on this media, therefore any unauthorized reproduction and distribution is strictly prohibited.

OPENING DIMENSIONS - SCHEMATIC

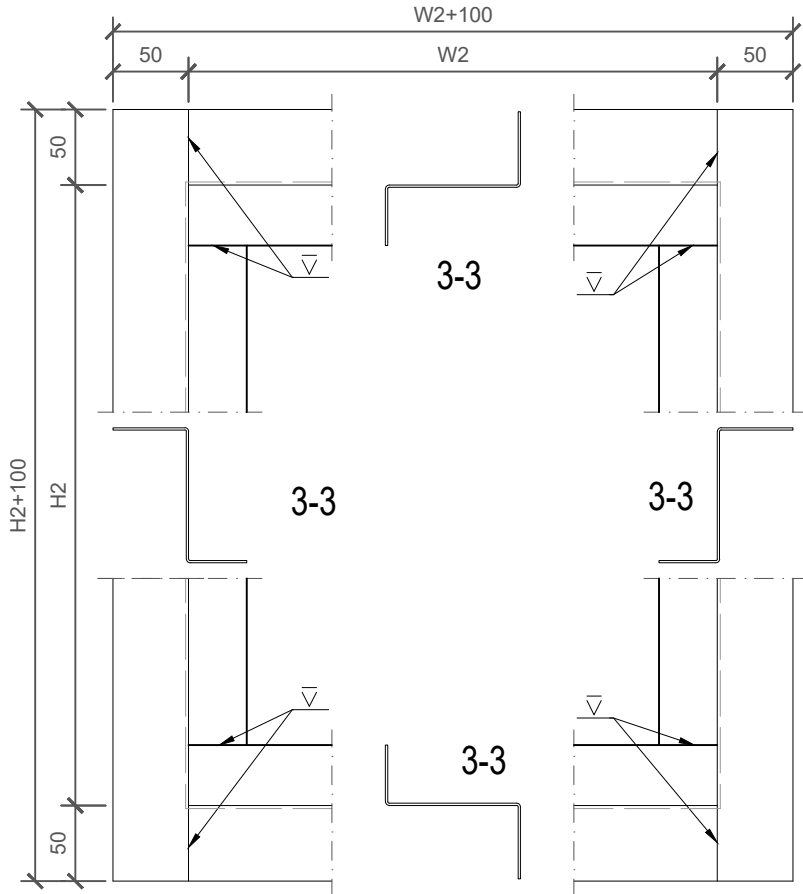
- H ... OPENING VERTICAL DIMENSIONS
- W ... OPENING HORIZONTAL DIMENSIONS
- H2, W2 ... OPENING CLEAR DIMENSIONS
- M ... PANEL MODULE
- 1-1 ... VERTICAL CUT
- 2-2 ... HORIZONTAL CUT



NOTE

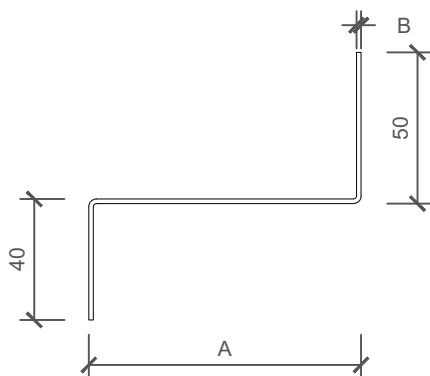
- Performance of a detail without a substructure is allowed only when Trimo technical department has prepared a prior structural calculation.

ELEMENT_ N195_ Support frame



REFERENCE	
H2	
W2	
PIECES	

PANEL THICKNESS	50	60	80	100	120	133	150	172	200	240	250
CODE	N0076	N0076	N0077	N0078	N0079	N0080	N0081	N0082	N0083	N0084	N0085
A	30	30	50	70	90	103	120	142	170	210	220
B	1,5	1,5	1,5	1,5	1,5	2	2	2	2	2	2
STEEL SHEET WIDTH (section 3-3)	114	114	134	154	174	185	202	224	252	292	302



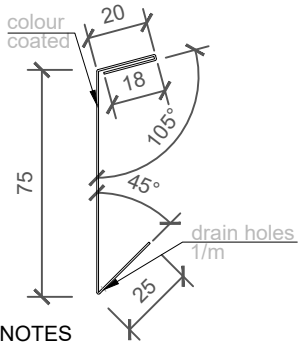
REFERENCE	
LENGTH(W)	
PIECES	

REFERENCE	
LENGTH(H)	
PIECES	

NOTES

material: Zinc - coated metal sheet (B mm)
 L max = 4000 mm
 The weld seam should be protected using a zinc - based paint.
 Dimensions should be verified with structural analyses

ELEMENT_ O076_Drip flashing mask

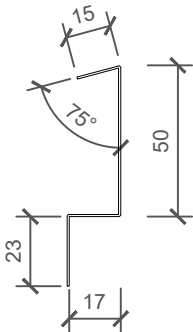


REFERENCE	
COLOUR	
LENGTH	
PIECES	

NOTES

material: Colored metal sheet
 thickness [mm]: 0,6
 sheet width [mm]: 138
 folds: 4
 Lmax [mm] = 6000

ELEMENT_ O078_Flashing support

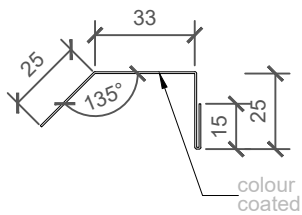


REFERENCE	
LENGTH	
PIECES	

NOTES

material: Galvanized metal sheet
 thickness [mm]: 0,7
 sheet width [mm]: 105
 folds: 3
 Lmax [mm] = 6000

ELEMENT_ O0158_Drip flashing - head

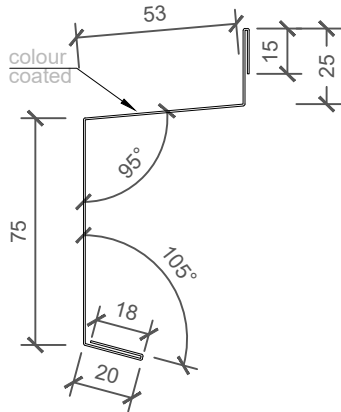


REFERENCE	
COLOUR	
LENGTH	
PIECES	

NOTES

material: Colored metal sheet
 thickness [mm]: 0,6
 sheet width [mm]: 98
 folds: 4
 Lmax [mm] = 6000

ELEMENT_O0159_Drip flashing - sill

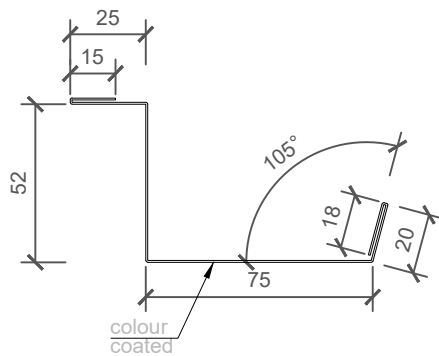


REFERENCE	
COLOUR	
LENGTH	
PIECES	

NOTES

material: Colored metal sheet
 thickness [mm]: 0,6
 sheet width [mm]: 206
 folds: 7
 Lmax [mm] = 6000

ELEMENT_O0160_Jamb flashing



REFERENCE	
COLOUR	
LENGTH	
PIECES	

NOTES

material: Colored metal sheet (0,6 mm)
 thickness [mm]: 0,6
 sheet width [mm]: 205
 folds: 7
 Lmax [mm] = 6000

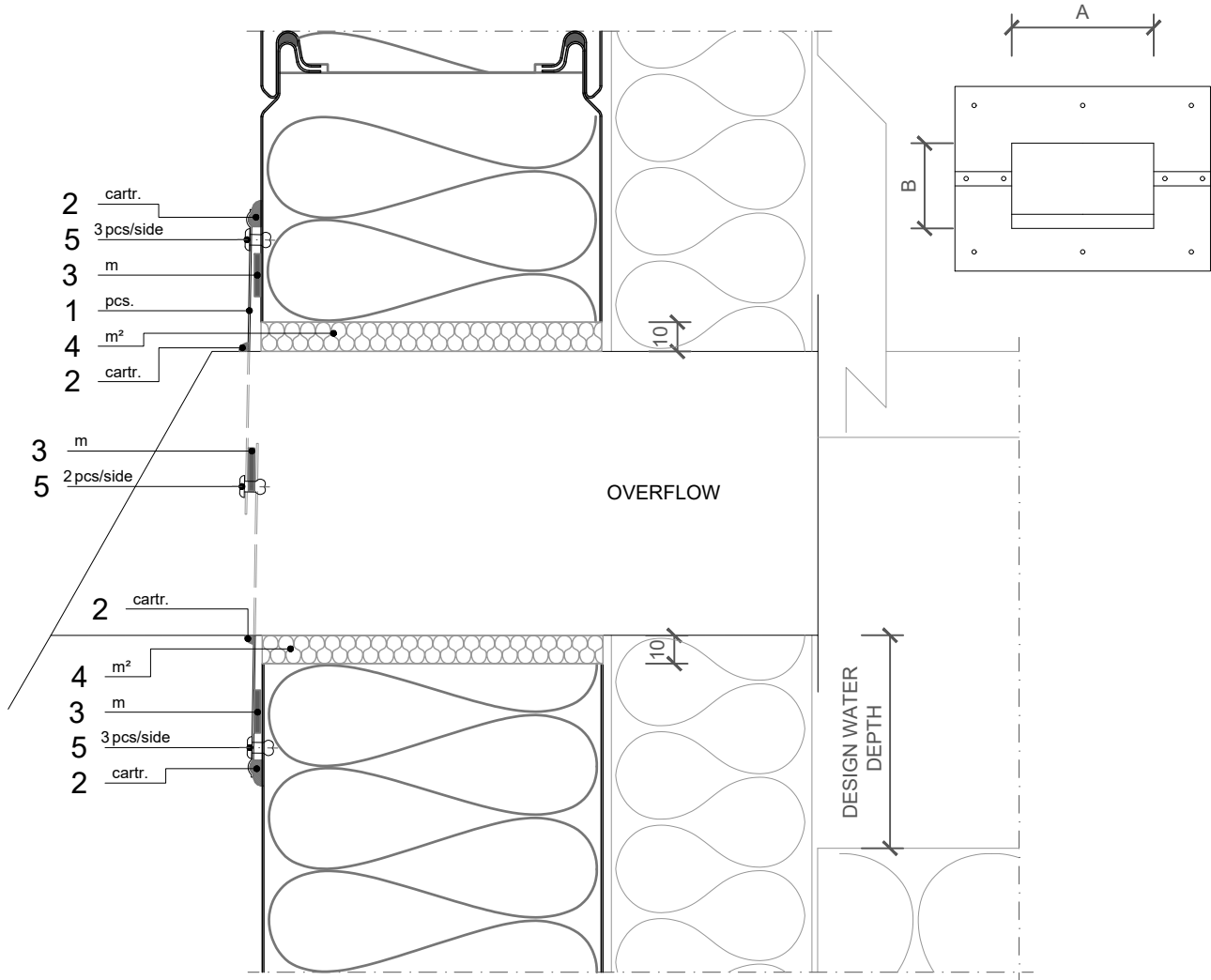
HORIZONTAL INSTALLATION

TRIMOTERM FTV

BUILDING APPLICATION

- External Facade
- Internal Wall
- Roof
- External Soffit
- Internal Ceiling
- Backing panel

VERTICAL CUT



NOTES

- Overflow installation according project requirement - roof scope

POS	CODE	ELEMENT	AMOUNT	UNIT
1	O432	Overflow mask	dwg	
2	30025810	Mastic sealant		cartr.
3	30031696	Self adhesive sealing tape 3x15xL		m
4	30027144	Thermal insulation		m ²
5	K001	Rivet 4xL		pcs

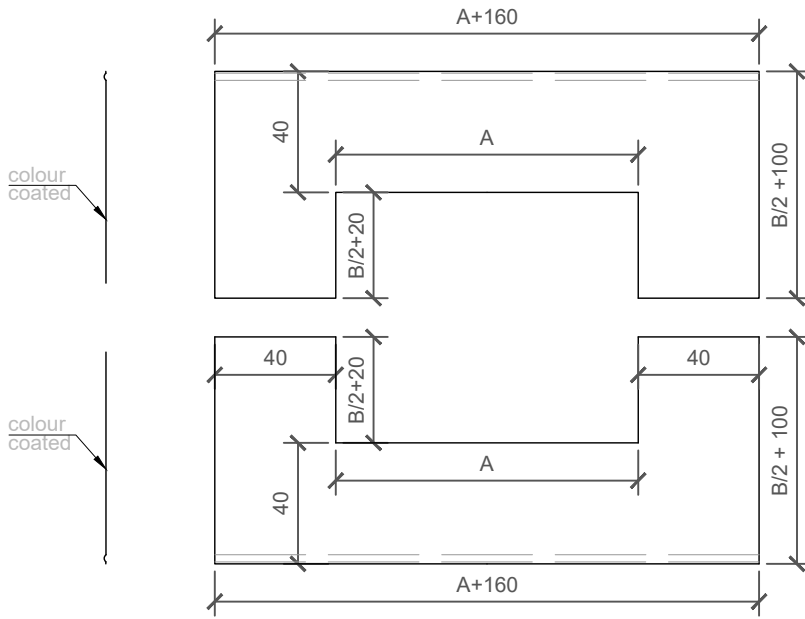
SCALE: M 1:2.5

PENETRATION 01

Trimo Group holds full copyrights on the information and details provided on this media, therefore any unauthorized reproduction and distribution is strictly prohibited.

ELEMENT_O432_Overflow mask

REFERENCE	
PIECES	



NOTES
 material: Colored metal sheet
 thickness [mm]: 0,6
 sheet width [mm]: A+160
 folds: /
 L [mm] = B+200

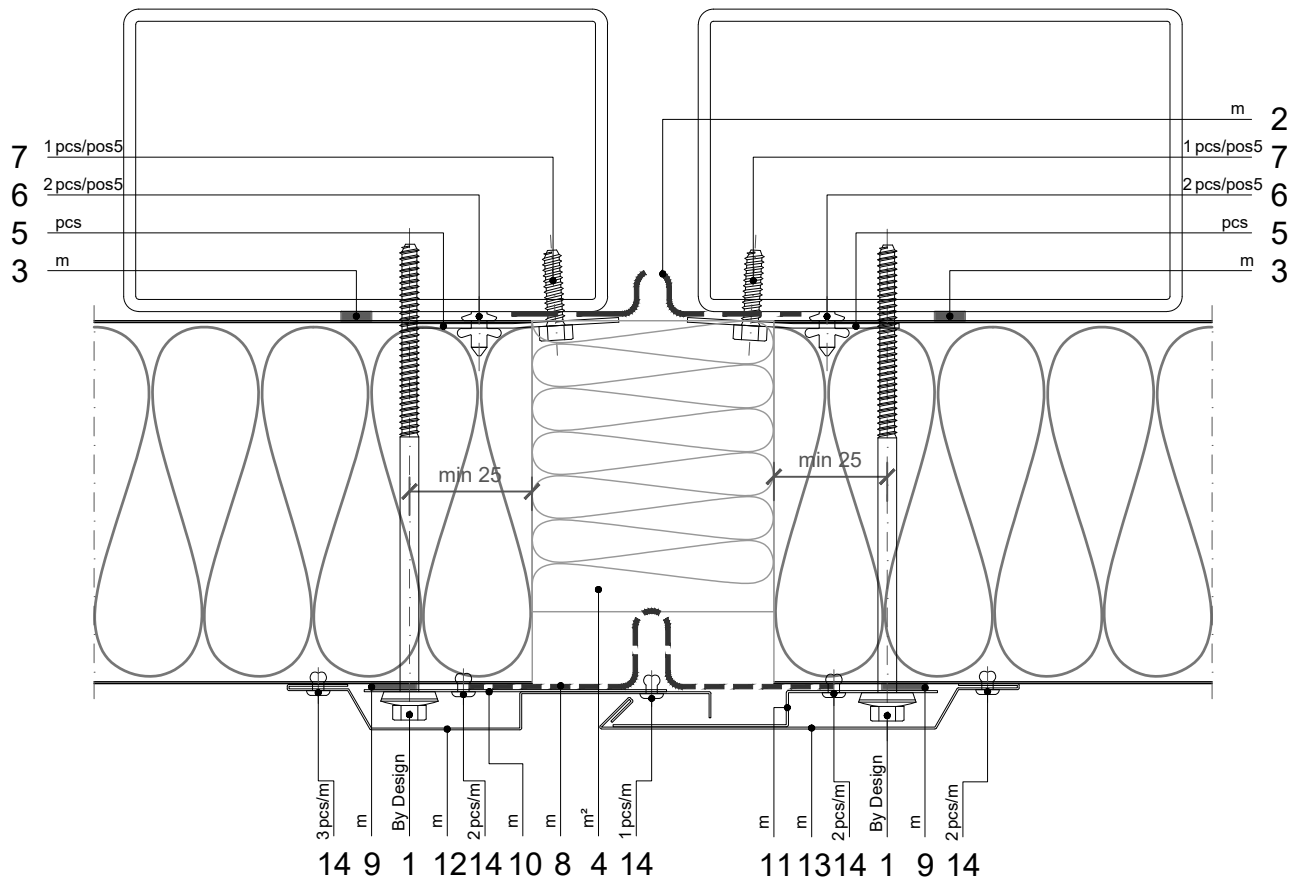
HORIZONTAL INSTALLATION

TRIMOTERM FTV

BUILDING APPLICATION

- External Facade
- Internal Wall
- Roof
- External Soffit
- Internal Ceiling
- Backing panel

HORIZONTAL CUT



NOTES

- Apply mastic seal (acc. **TE-H-01.01 - ELEMENTS 01**)
- Max dilatation allowed ±25 mm

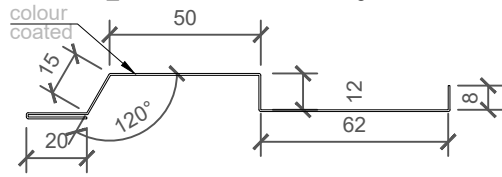
POS	CODE	ELEMENT	AMOUNT	UNIT
1	V130	Fixing screw	By Design	
2	30006660	Vapour control layer - inner; with EPDM glue		m
3	30006985	Self adhesive sealing tape 5x10xL		m
4	30027144	Thermal insulation		m ²
5	N032	Fixing element	dwg	
6	K011	Bulb tite rivet 5,2xL		pcs
7	V300	Fixing screw		pcs
8	30009208	Vapour control layer - outer; with EPDM glue		m
9	30031696	Self adhesive sealing tape 3x15xL		m
10	O0164	Flashing support A	dwg	
11	O0165	Flashing support B	dwg	
12	O0162	Dilatation flashing A	dwg	
13	O0163	Dilatation flashing B	dwg	
14	K001	Rivet 4xL		pcs

SCALE: M 1:2.5

DILATATION 01

Trimo Group holds full copyrights on the information and details provided on this media, therefore any unauthorized reproduction and distribution is strictly prohibited.

ELEMENT_00162_Dilatation flashing A

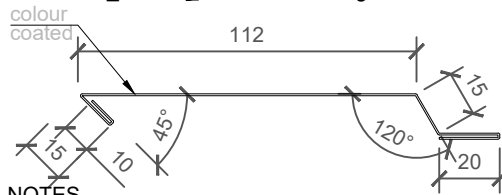


REFERENCE	
COLOUR	
LENGTH	
PIECES	

NOTES

material: Colored metal sheet
 thickness [mm]: 0,6
 sheet width [mm]: 187
 folds: 7
 Lmax [mm] = 6000

ELEMENT_00163_Dilatation flashing B

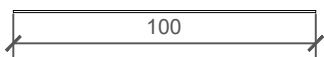


REFERENCE	
COLOUR	
LENGTH	
PIECES	

NOTES

material: Colored metal sheet
 thickness [mm]: 0,6
 sheet width [mm]: 192
 folds: 7
 Lmax [mm] = 6000

ELEMENT_00164_Flashing support A

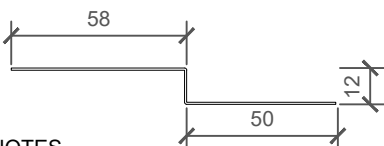


REFERENCE	
LENGTH	
PIECES	

NOTES

material: Galvanized metal sheet
 thickness [mm]: 0,7
 sheet width [mm]: 100
 folds: 0
 Lmax [mm] = 6000

ELEMENT_00165_Flashing support B

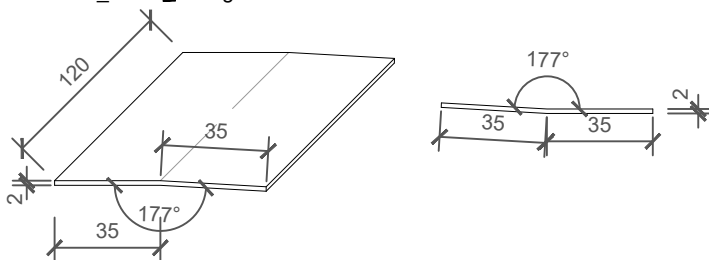


REFERENCE	
LENGTH	
PIECES	

NOTES

material: Galvanized metal sheet
 thickness [mm]: 0,7
 sheet width [mm]: 120
 folds: 2
 Lmax [mm] = 6000

ELEMENT_N032_Fixing element



REFERENCE	
PIECES	

NOTES

material: Zinc - coated metal sheet
 thickness [mm]: 1,5
 sheet width [mm]: 70
 folds: 1
 L [mm] = 120

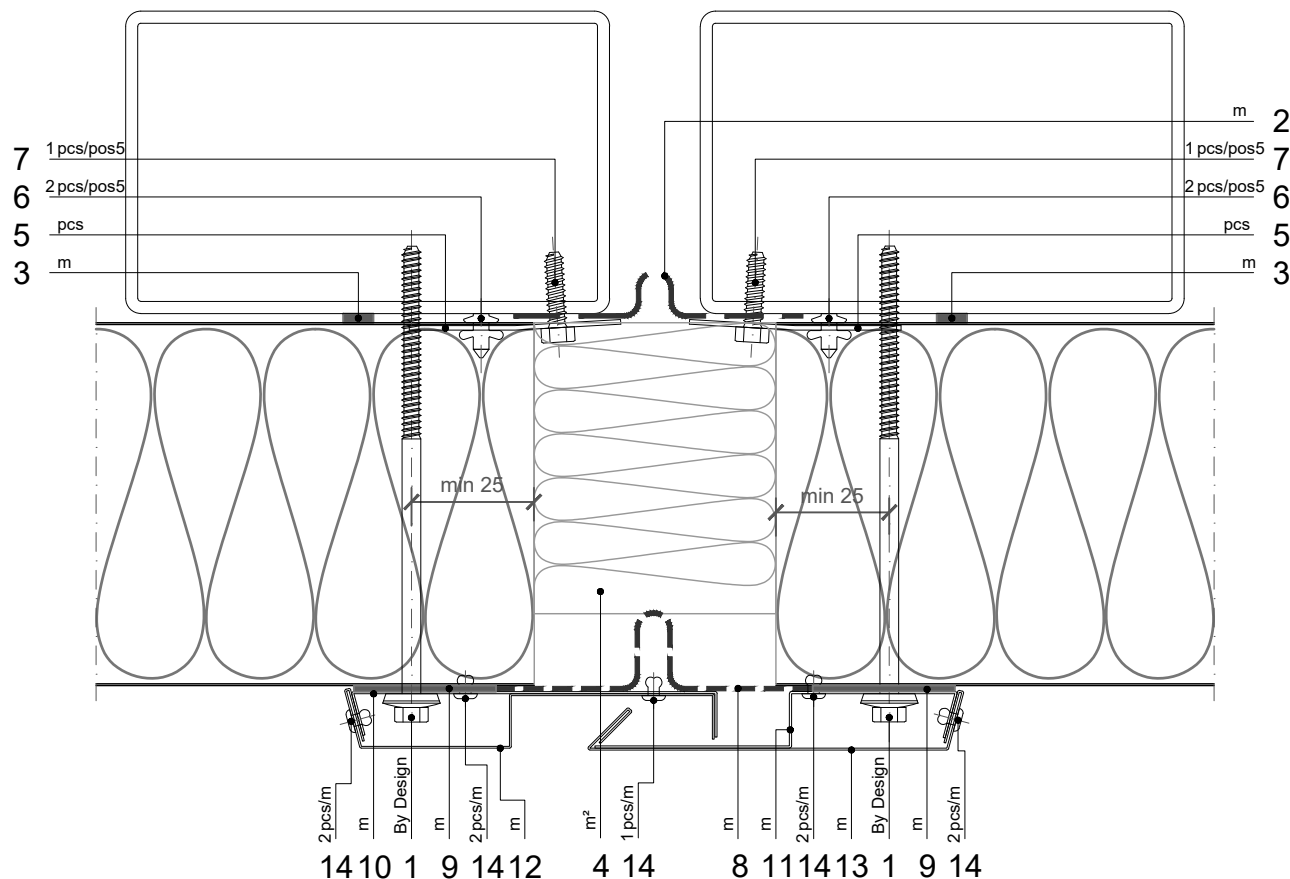
HORIZONTAL INSTALLATION

TRIMOTERM FTV

BUILDING APPLICATION

- External Facade
- Internal Wall
- Roof
- External Soffit
- Internal Ceiling
- Backing panel

HORIZONTAL CUT



NOTES

- Apply mastic seal (acc. **TE-H-01.01 - ELEMENTS 01**)
- Max dilatation allowed ± 25 mm

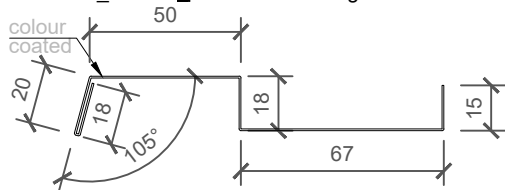
POS	CODE	ELEMENT	AMOUNT	UNIT
1	V130	Fixing screw	By Design	
2	30006660	Vapour control layer - inner; with EPDM glue		m
3	30006985	Self adhesive sealing tape 5x10xL		m
4	30027144	Thermal insulation		m ²
5	N032	Fixing element	dwg	
6	K011	Bulb tite rivet 5,2xL		pcs
7	V300	Fixing screw		pcs
8	30009208	Vapour control layer - outer; with EPDM glue		m
9	5012487	Self adhesive sealing tape 2x47xL		m
10	O0169	Flashing support A	dwg	
11	O0170	Flashing support B	dwg	
12	O0167	Dilatation flashing A	dwg	
13	O0168	Dilatation flashing B	dwg	
14	K001	Rivet 4xL		pcs

SCALE: M 1:2.5

DILATATION 01

Trimo Group holds full copyrights on the information and details provided on this media, therefore any unauthorized reproduction and distribution is strictly prohibited.

ELEMENT_O0167_Dilatation flashing A

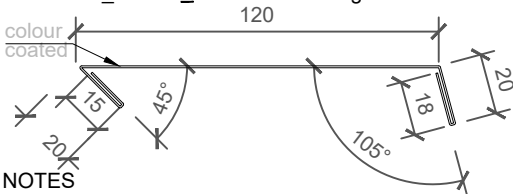


REFERENCE	
COLOUR	
LENGTH	
PIECES	

NOTES

material: Colored metal sheet
 thickness [mm]: 0,6
 sheet width [mm]: 188
 folds: 6
 Lmax [mm] = 6000

ELEMENT_O0168_Dilatation flashing B

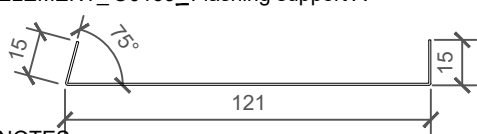


REFERENCE	
COLOUR	
LENGTH	
PIECES	

NOTES

material: Colored metal sheet
 thickness [mm]: 0,6
 sheet width [mm]: 193
 folds: 7
 Lmax [mm] = 6000

ELEMENT_O0169_Flashing support A

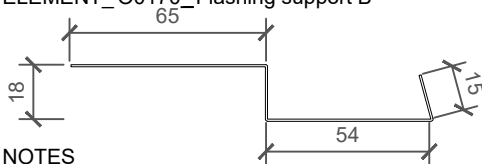


REFERENCE	
LENGTH	
PIECES	

NOTES

material: Galvanized metal sheet
 thickness [mm]: 0,7
 sheet width [mm]: 153
 folds: 2
 Lmax [mm] = 6000

ELEMENT_O0170_Flashing support B

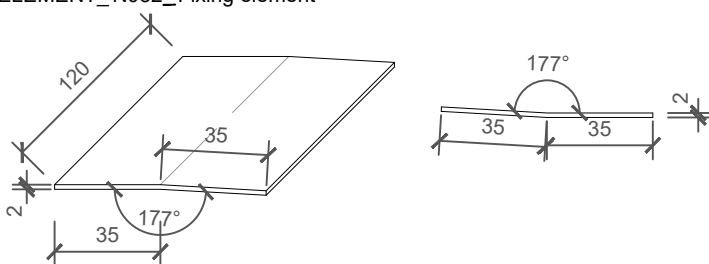


REFERENCE	
LENGTH	
PIECES	

NOTES

material: Galvanized metal sheet
 thickness [mm]: 0,7
 sheet width [mm]: 152
 folds: 3
 Lmax [mm] = 6000

ELEMENT_N032_Fixing element



REFERENCE	
PIECES	

NOTES

material: Zinc - coated metal sheet
 thickness [mm]: 1,5
 sheet width [mm]: 70
 folds: 1
 L [mm] = 120

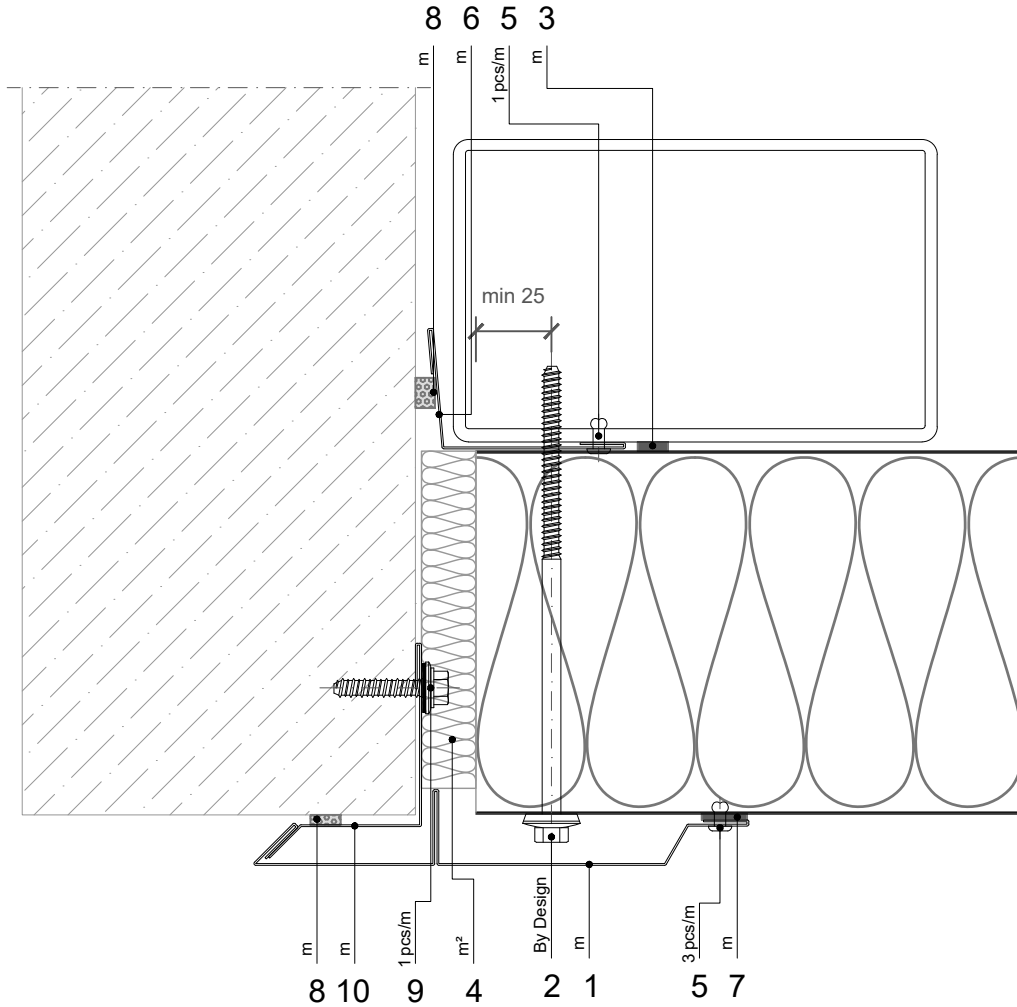
HORIZONTAL INSTALLATION

TRIMOTERM FTV

BUILDING APPLICATION

- External Facade
- Internal Wall
- Roof
- External Soffit
- Internal Ceiling
- Backing panel

HORIZONTAL CUT



NOTES

- Apply mastic seal (acc. TE-H-01.01 - ELEMENTS 01)

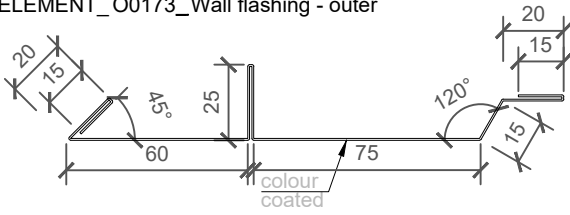
POS	CODE	ELEMENT	AMOUNT	UNIT
1	O0173	Wall flashing - outer	dwg	
2	V130	Fixing screw	By Design	
3	30006985	Self adhesive sealing tape 5x10xL		m
4	30027144	Thermal insulation		m ²
5	K001	Rivet 4xL		pcs
6	O0174	Wall flashing - inner	dwg	
7	30031696	Self adhesive sealing tape 3x15xL		m
8	30028072	Self adhesive pre-compressed sealing tape		m
9	V133	Fixing screw (by structural type)		pcs
10	O0175	Wall flashing	dwg	

SCALE: M 1:2.5

OTHER SYSTEM CONNECTION

Trimo Group holds full copyrights on the information and details provided on this media, therefore any unauthorized reproduction and distribution is strictly prohibited.

ELEMENT_O0173_Wall flashing - outer

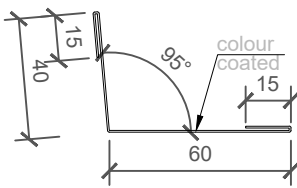


REFERENCE	
COLOUR	
LENGTH	
PIECES	

NOTES

material: Colored metal sheet
 thickness [mm]: 0,6
 sheet width [mm]: 270
 folds: 11
 Lmax [mm] = 6000

ELEMENT_O0174_Wall flashing - inner

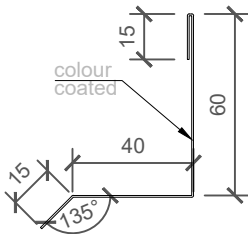


REFERENCE	
COLOUR	
LENGTH	
PIECES	

NOTES

material: Colored metal sheet
 thickness [mm]: 0,6
 sheet width [mm]: 130
 folds: 5
 Lmax [mm] = 6000

ELEMENT_O0175_Wall flashing



REFERENCE	
COLOUR	
LENGTH	
PIECES	

NOTES

material: Colored metal sheet
 thickness [mm]: 0,6
 sheet width [mm]: 130
 folds: 4
 Lmax [mm] = 6000

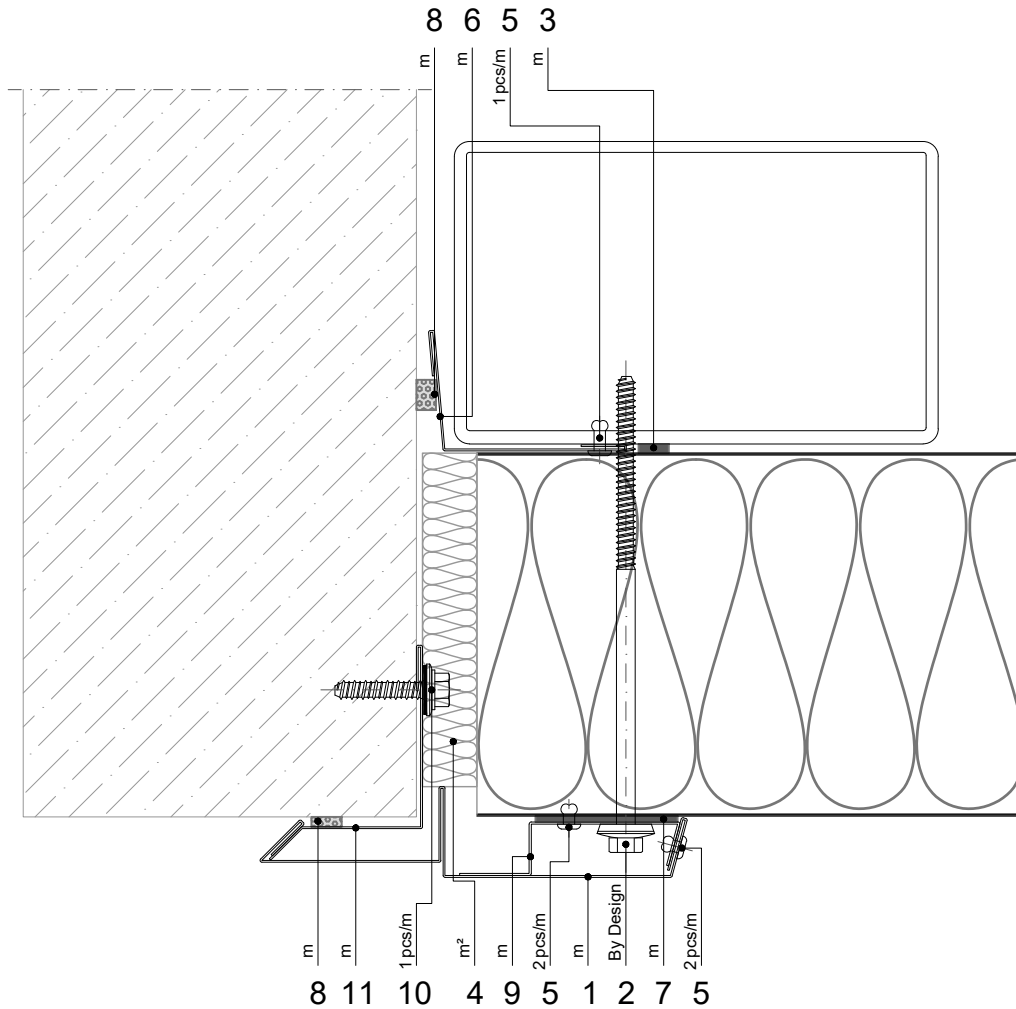
HORIZONTAL INSTALLATION

TRIMOTERM FTV

BUILDING APPLICATION

- External Facade
- Internal Wall
- Roof
- External Soffit
- Internal Ceiling
- Backing panel

HORIZONTAL CUT



NOTES

- Apply mastic seal (acc. TE-H-01.01 - ELEMENTS 01)

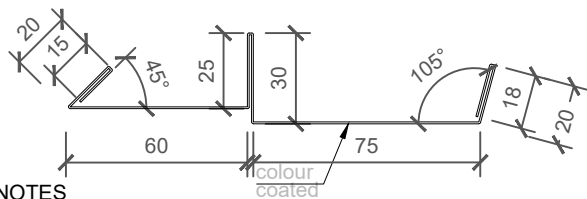
POS	CODE	ELEMENT	AMOUNT	UNIT
1	O0176	Wall flashing - outer	dwg	
2	V130	Fixing screw	By Design	
3	30006985	Self adhesive sealing tape 5x10xL		m
4	30027144	Thermal insulation		m ²
5	K001	Rivet 4xL		pcs
6	O0174	Wall flashing - inner	dwg	
7	30031696	Self adhesive sealing tape 3x15xL		m
8	30028072	Self adhesive pre-compressed sealing tape		m
9	O078	Flashing support	dwg	
9	V133	Fixing screw (by structural type)		pcs
10	O0175	Wall flashing	dwg	

SCALE: M 1:2.5

OTHER SYSTEM CONNECTION

Trimo Group holds full copyrights on the information and details provided on this media, therefore any unauthorized reproduction and distribution is strictly prohibited.

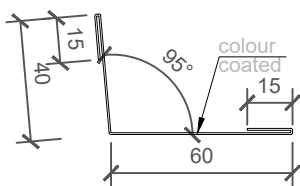
ELEMENT_O0176_Wall flashing - outer



NOTES
 material: Colored metal sheet
 thickness [mm]: 0,6
 sheet width [mm]: 263
 folds: 10
 Lmax [mm] = 6000

REFERENCE	
COLOUR	
LENGTH	
PIECES	

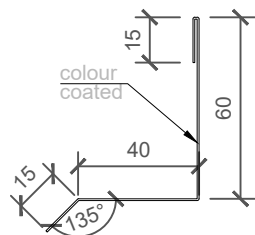
ELEMENT_O0174_Wall flashing - inner



NOTES
 material: Colored metal sheet
 thickness [mm]: 0,6
 sheet width [mm]: 130
 folds: 5
 Lmax [mm] = 6000

REFERENCE	
COLOUR	
LENGTH	
PIECES	

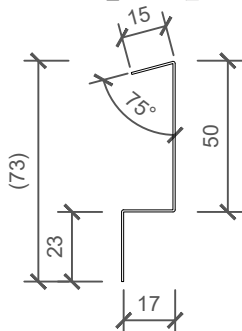
ELEMENT_O0175_Wall flashing



NOTES
 material: Colored metal sheet
 thickness [mm]: 0,6
 sheet width [mm]: 130
 folds: 4
 Lmax [mm] = 6000

REFERENCE	
COLOUR	
LENGTH	
PIECES	

ELEMENT_O078_Flashing support



NOTES
 material: Galvanized metal sheet
 thickness [mm]: 0,7
 sheet width [mm]: 105
 folds: 3
 Lmax [mm] = 6000

REFERENCE	
LENGTH	
PIECES	

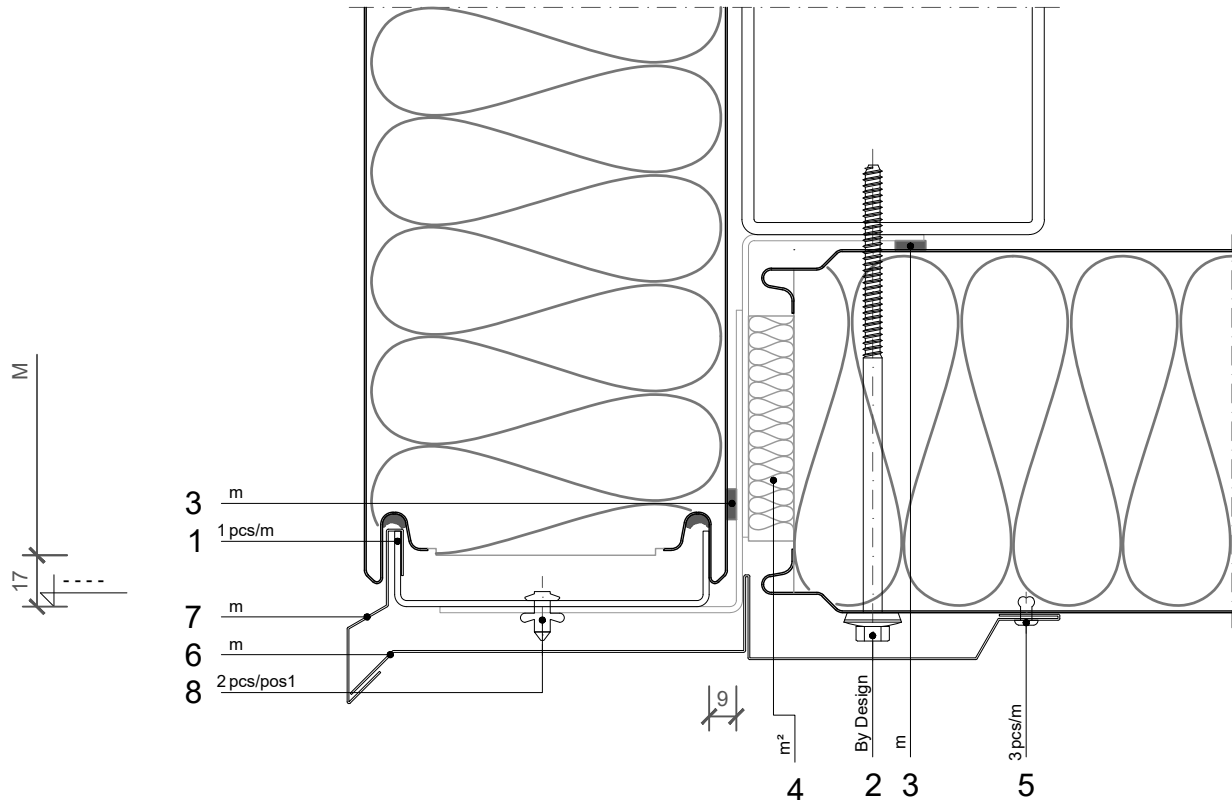
HORIZONTAL INSTALLATION

TRIMOTERM FTV

BUILDING APPLICATION

- External Facade
- Internal Wall
- Roof
- External Soffit
- Internal Ceiling
- Backing panel

VERTICAL CUT



POS	CODE	ELEMENT	AMOUNT	UNIT
1	N005	Panel support profile	dwg	
2	V130	Fixing screw	By Design	
3	30006985	Self adhesive sealing tape 5x10xL		m
4	30027144	Thermal insulation		m ²
5	K001	Rivet 4xL		pcs
6	O0183	Drip flashing mask	dwg	
7	O001	Drip flashing	dwg	
8	K011	Bulb tite rivet 5,2xL		pcs

SCALE: M 1:2.5

SOFFIT 01

Trimo Group holds full copyrights on the information and details provided on this media, therefore any unauthorized reproduction and distribution is strictly prohibited.

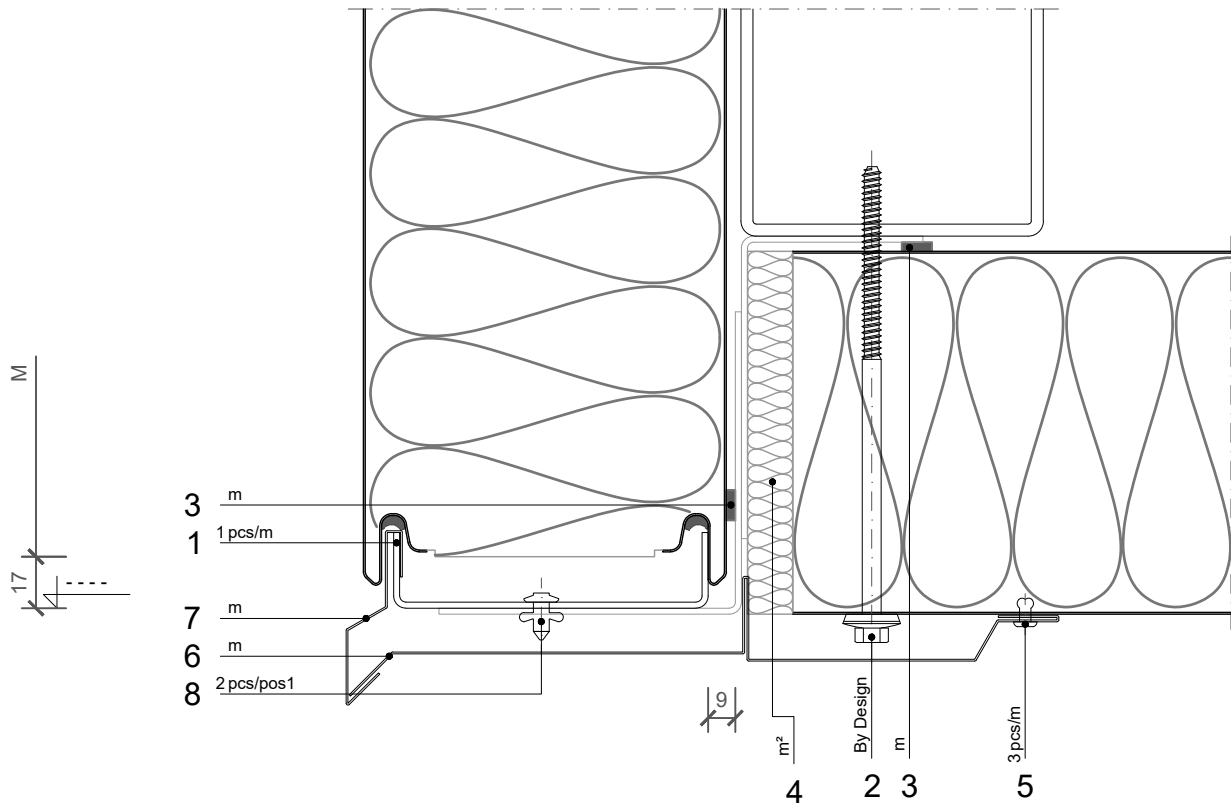
HORIZONTAL INSTALLATION

TRIMOTERM FTV

BUILDING APPLICATION

- External Facade
- Internal Wall
- Roof
- External Soffit
- Internal Ceiling
- Backing panel

VERTICAL CUT



POS	CODE	ELEMENT	AMOUNT	UNIT
1	N005	Panel support profile	dwg	
2	V130	Fixing screw	By Design	
3	30006985	Self adhesive sealing tape 5x10xL		m
4	30027144	Thermal insulation		m ²
5	K001	Rivet 4xL		pcs
6	O0183	Drip flashing mask	dwg	
7	O001	Drip flashing	dwg	
8	K011	Bulb tite rivet 5,2xL		pcs

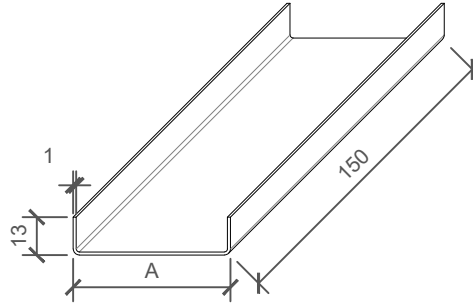
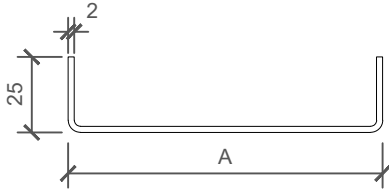
SCALE: M 1:2.5

SOFFIT 02

Trimo Group holds full copyrights on the information and details provided on this media, therefore any unauthorized reproduction and distribution is strictly prohibited.

ELEMENT_ N005_Panel support profile

PANEL THICKNESS	50	60	80	100	120	133	150	172	200	240	250
CODE	N0001	N0002	N0003	N0004	N0005	N0006	N0007	N0008	N0009	N0010	N0011
A	34	44	64	84	104	117	134	156	184	224	234
STEEL SHEET WIDTH	76	86	106	126	146	159	176	198	226	266	276

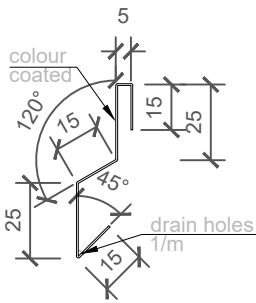


REFERENCE	
A	0
SHEET WIDTH	42
PIECES	

NOTES

material: Zinc - coated metal sheet
 thickness [mm]: 2
 sheet width [mm]: 42+A
 folds: 2
 L [mm] = 150

ELEMENT_ O001_Drip flashing



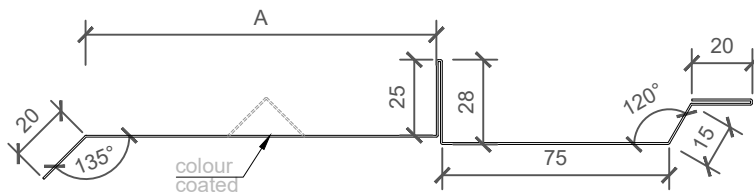
REFERENCE	
COLOUR	
LENGTH	
PIECES	

NOTES

material: Colored metal sheet
 thickness [mm]: 0,6
 sheet width [mm]: 100
 folds: 5
 Lmax [mm] = 6000

ELEMENT_ O0183_Drip flashing mask

PANEL THICKNESS	50	60	80	100	120	133	150	172	200	240	250
CODE	O0179	O0180	O0181	O0182	O0183	O0184	O0185	O0186	O0187	O0188	O0189
A	46	56	76	96	116	129	146	168	196	236	246
STEEL SHEET WIDTH	249	259	279	299	319	332	349	371	399	439	449



REFERENCE	
COLOUR	
A	0
SHEET WIDTH	203
LENGTH	
PIECES	

NOTES

material: Colored metal sheet
 thickness [mm]: 0,6
 sheet width [mm]: A+203
 folds: 9
 Lmax [mm] = 6000

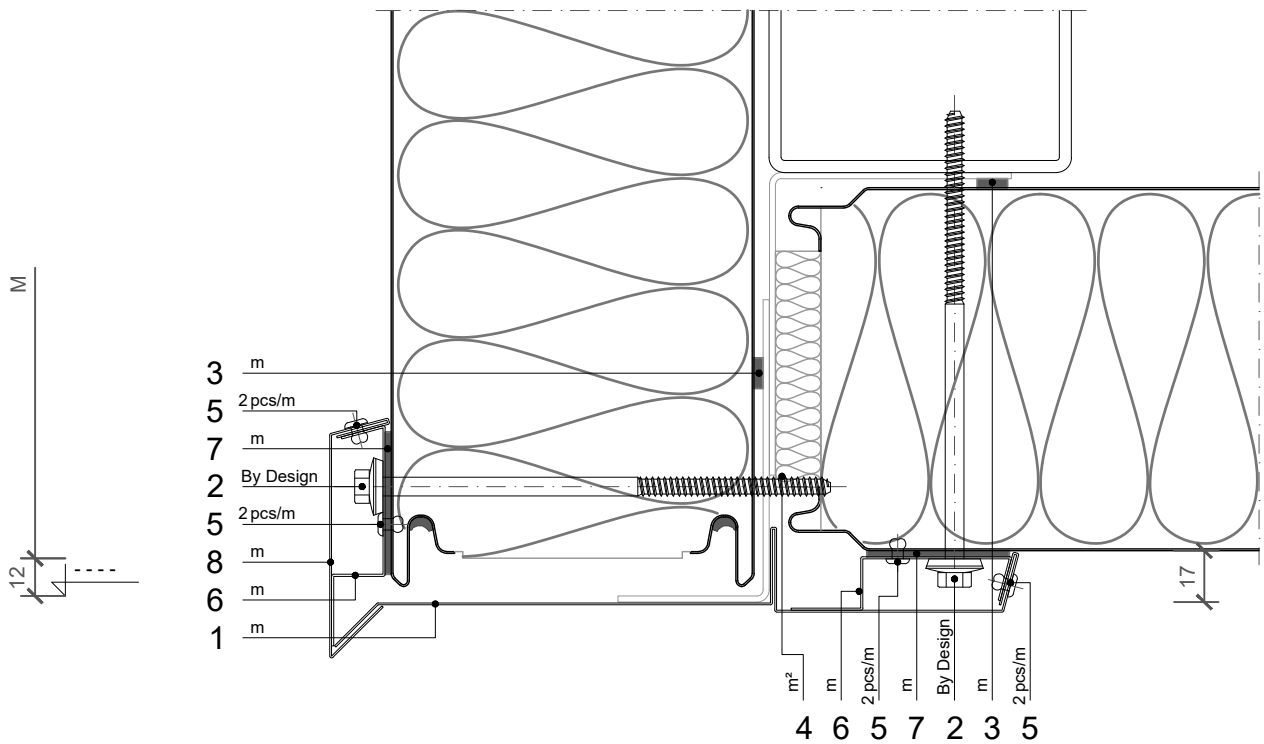
HORIZONTAL INSTALLATION

TRIMOTERM FTV

BUILDING APPLICATION

- External Facade
- Internal Wall
- Roof
- External Soffit
- Internal Ceiling
- Backing panel

VERTICAL CUT



POS	CODE	ELEMENT	AMOUNT	UNIT
1	O0195	Soffit flashing	dwg	
2	V130	Fixing screw	By Design	
3	30006985	Self adhesive sealing tape 5x10xL		m
4	30027144	Thermal insulation		m ²
5	K001	Rivet 4xL		pcs
6	O078	Drip flashing mask support	dwg	
7	5012487	Self adhesive sealing tape EPDM 2x47x100 (under the fixing)		m
8	O076	Drip flashing mask	dwg	

SCALE: M 1:2.5

SOFFIT 01

Trimo Group holds full copyrights on the information and details provided on this media, therefore any unauthorized reproduction and distribution is strictly prohibited.

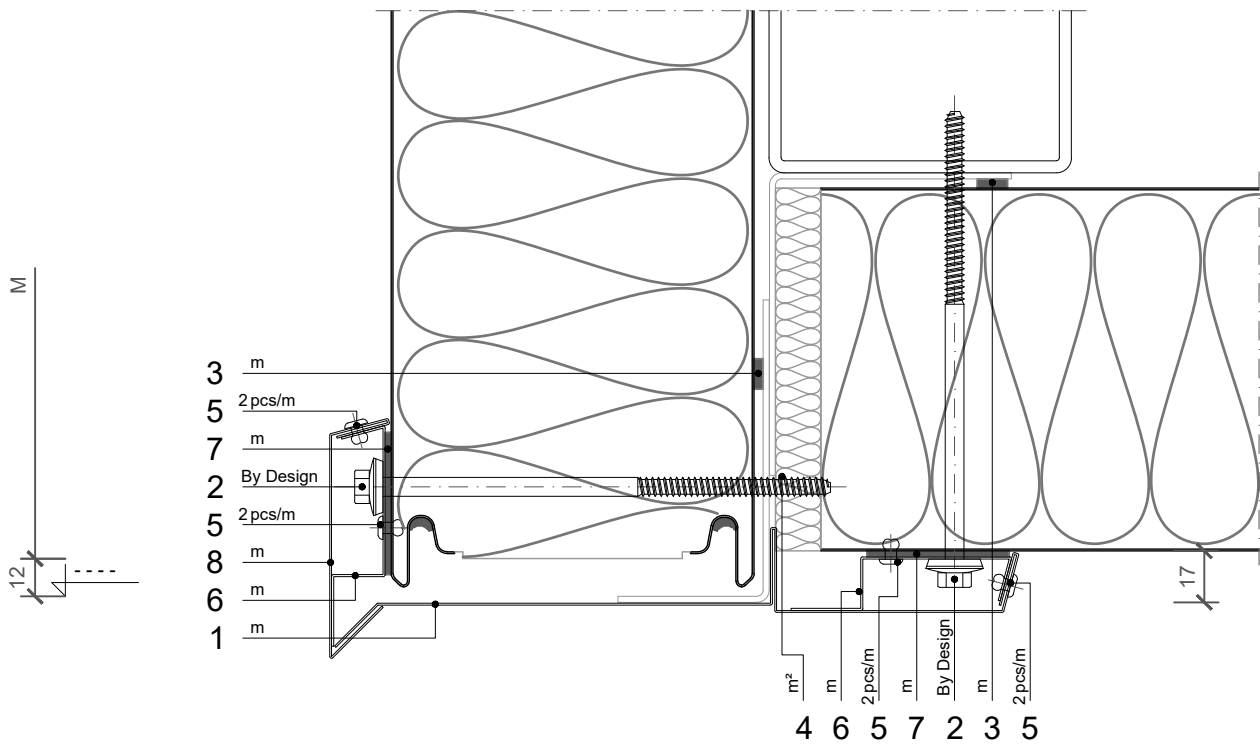
HORIZONTAL INSTALLATION

TRIMOTERM FTV

BUILDING APPLICATION

- External Facade
- Internal Wall
- Roof
- External Soffit
- Internal Ceiling
- Backing panel

VERTICAL CUT



POS	CODE	ELEMENT	AMOUNT	UNIT
1	O0195	Soffit flashing	dwg	
2	V130	Fixing screw	By Design	
3	30006985	Self adhesive sealing tape 5x10xL		m
4	30027144	Thermal insulation		m ²
5	K001	Rivet 4xL		pcs
6	O078	Drip flashing mask support	dwg	
7	5012487	Self adhesive sealing tape EPDM 2x47x100 (under the fixing)		m
8	O076	Drip flashing mask	dwg	

SCALE: M 1:2.5

SOFFIT 02

Trimo Group holds full copyrights on the information and details provided on this media, therefore any unauthorized reproduction and distribution is strictly prohibited.

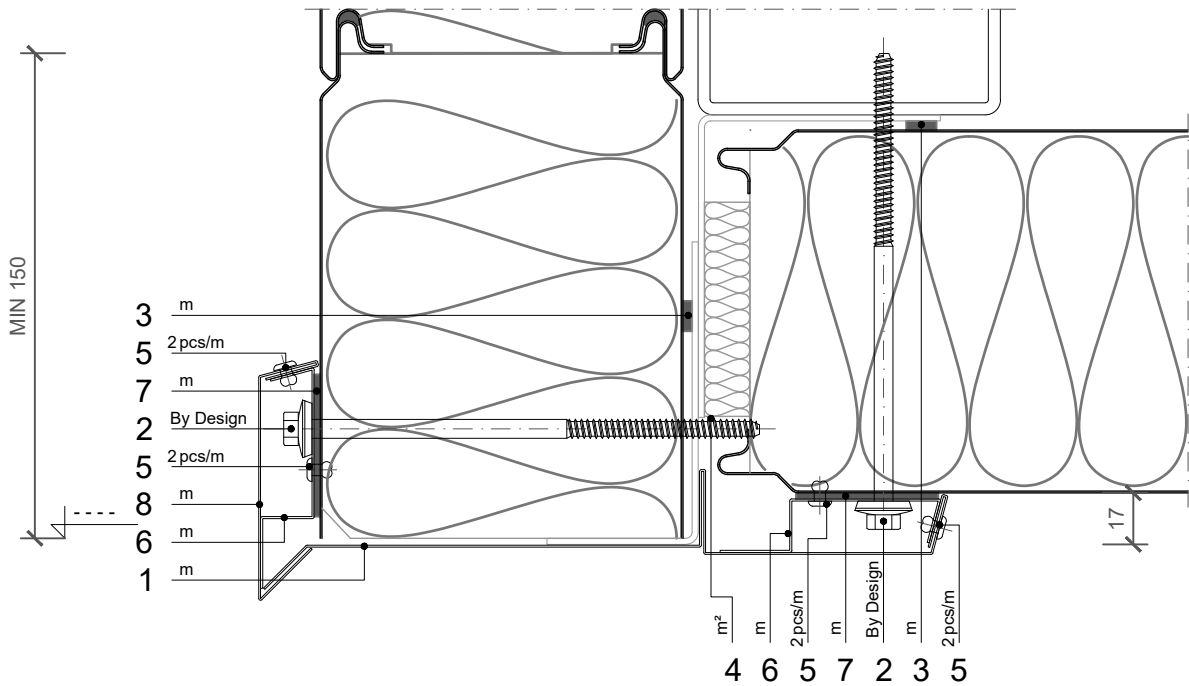
HORIZONTAL INSTALLATION

TRIMOTERM FTV

BUILDING APPLICATION

- External Facade
- Internal Wall
- Roof
- External Soffit
- Internal Ceiling
- Backing panel

VERTICAL CUT



POS	CODE	ELEMENT	AMOUNT	UNIT
1	O0195	Soffit flashing	dwg	
2	V130	Fixing screw	By Design	
3	30006985	Self adhesive sealing tape 5x10xL		m
4	30027144	Thermal insulation		m ²
5	K001	Rivet 4xL		pcs
6	O078	Drip flashing mask support	dwg	
7	5012487	Self adhesive sealing tape EPDM 2x47x100 (under the fixing)		m
8	O076	Drip flashing mask	dwg	

SCALE: M 1:2.5

SOFFIT 03

Trimo Group holds full copyrights on the information and details provided on this media, therefore any unauthorized reproduction and distribution is strictly prohibited.

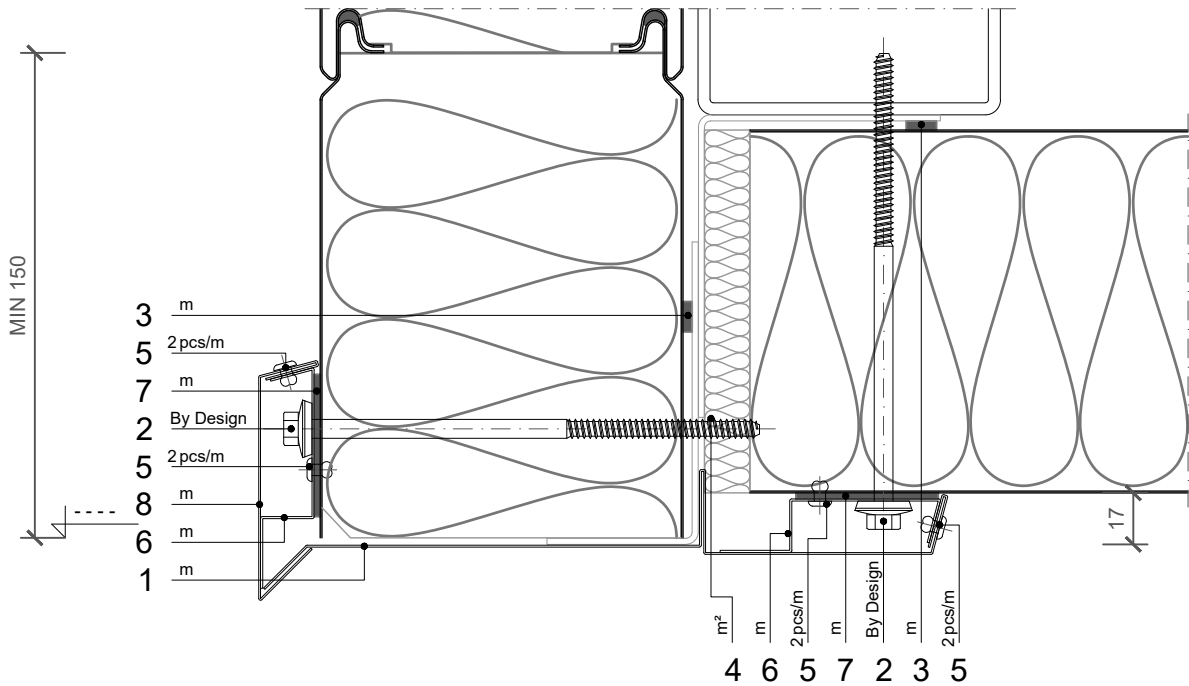
HORIZONTAL INSTALLATION

TRIMOTERM FTV

BUILDING APPLICATION

- External Facade
- Internal Wall
- Roof
- External Soffit
- Internal Ceiling
- Backing panel

VERTICAL CUT



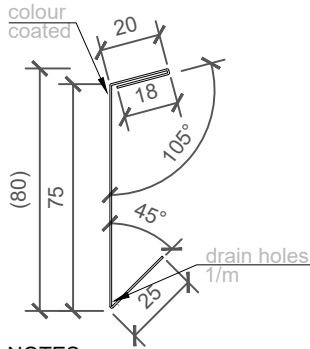
POS	CODE	ELEMENT	AMOUNT	UNIT
1	O0195	Soffit flashing	dwg	
2	V130	Fixing screw	By Design	
3	30006985	Self adhesive sealing tape 5x10xL		m
4	30027144	Thermal insulation		m ²
5	K001	Rivet 4xL		pcs
6	O078	Drip flashing mask support	dwg	
7	5012487	Self adhesive sealing tape EPDM 2x47x100 (under the fixing)		m
8	O076	Drip flashing mask	dwg	

SCALE: M 1:2.5

SOFFIT 04

Trimo Group holds full copyrights on the information and details provided on this media, therefore any unauthorized reproduction and distribution is strictly prohibited.

ELEMENT_O076_Drip flashing mask

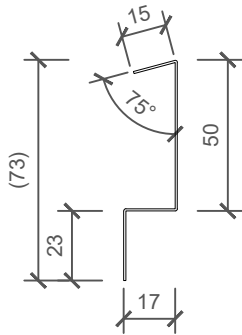


REFERENCE	
COLOUR	
LENGTH	
PIECES	

NOTES

material: Colored metal sheet
 thickness [mm]: 0,6
 sheet width [mm]: 138
 folds: 4
 Lmax [mm] = 6000

ELEMENT_O078_Drip flashing mask support



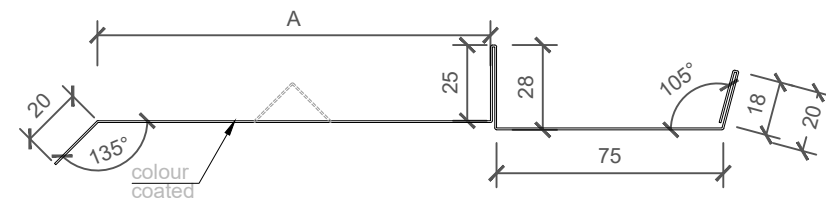
REFERENCE	
LENGTH	
PIECES	

NOTES

material: Galvanized metal sheet
 thickness [mm]: 0,7
 sheet width [mm]: 105
 folds: 3
 Lmax [mm] = 6000

ELEMENT_O0195_Soffit flashing

PANEL THICKNESS	50	60	80	100	120	133	150	172	200	240	250
CODE	O0191	O0192	O0193	O0194	O0195	O0196	O0197	O0198	O0199	O0200	O0201
A	60	70	90	110	130	143	160	182	210	250	260
STEEL SHEET WIDTH	246	256	276	296	316	329	346	368	396	436	446



REFERENCE	
COLOUR	
A	0
SHEET WIDTH	186
LENGTH	
PIECES	

NOTES

material: Colored metal sheet
 thickness [mm]: 0,6
 sheet width [mm]: A+186
 folds: 8
 Lmax [mm] = 6000

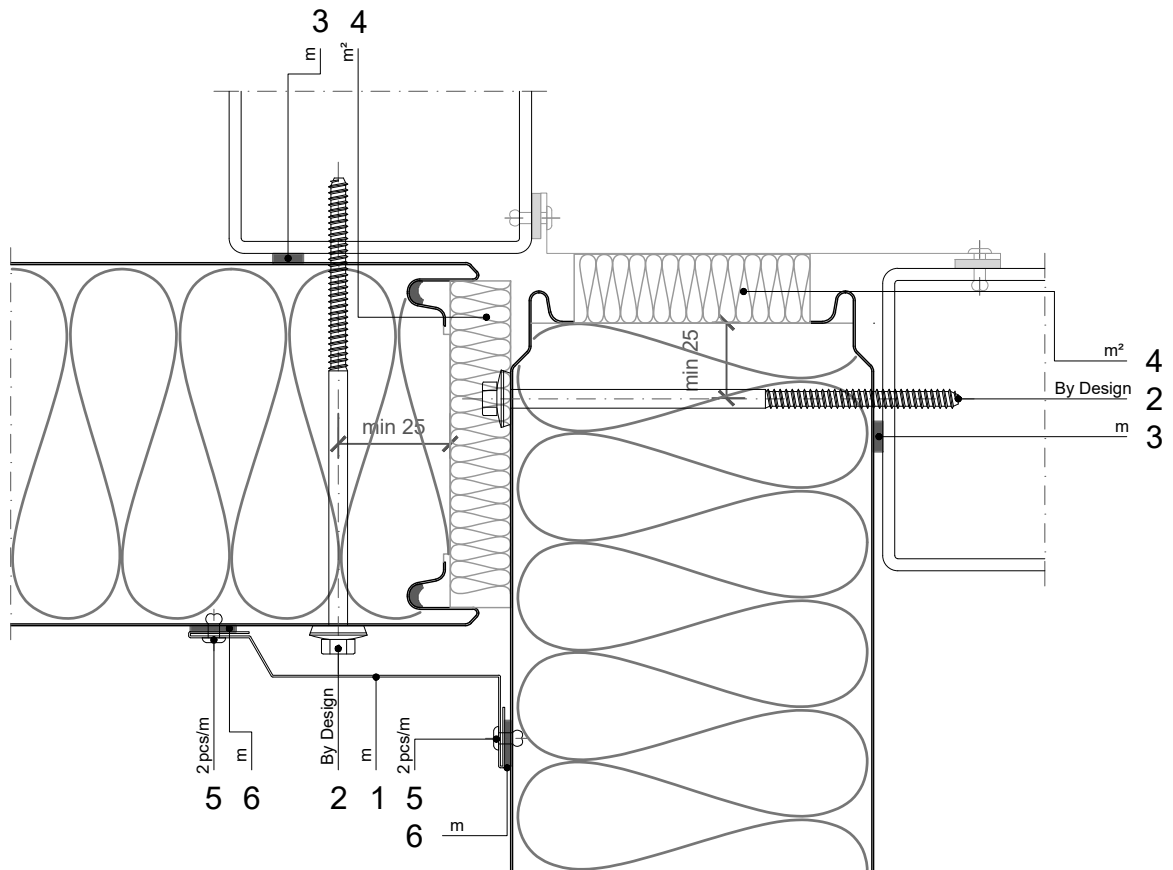
HORIZONTAL INSTALLATION

TRIMOTERM FTV

BUILDING APPLICATION

- External Facade
- Internal Wall
- Roof
- External Soffit
- Internal Ceiling
- Backing panel

VERTICAL CUT



NOTE

Apply mastic seal (acc. TE-H-01.01 - ELEMENTS)

POS	CODE	ELEMENT	AMOUNT	UNIT
1	O570	Corner flashing	dwg	
2	V130	Fixing screw	By Design	
3	30006985	Self adhesive sealing tape 5x10xL		m
4	30027144	Thermal insulation		m ²
5	K001	Rivet 4xL		pcs
6	30031696	Self adhesive sealing tape 3x15xL		m

SCALE: M 1:2.5

SOFFIT 01

Trimo Group holds full copyrights on the information and details provided on this media, therefore any unauthorized reproduction and distribution is strictly prohibited.

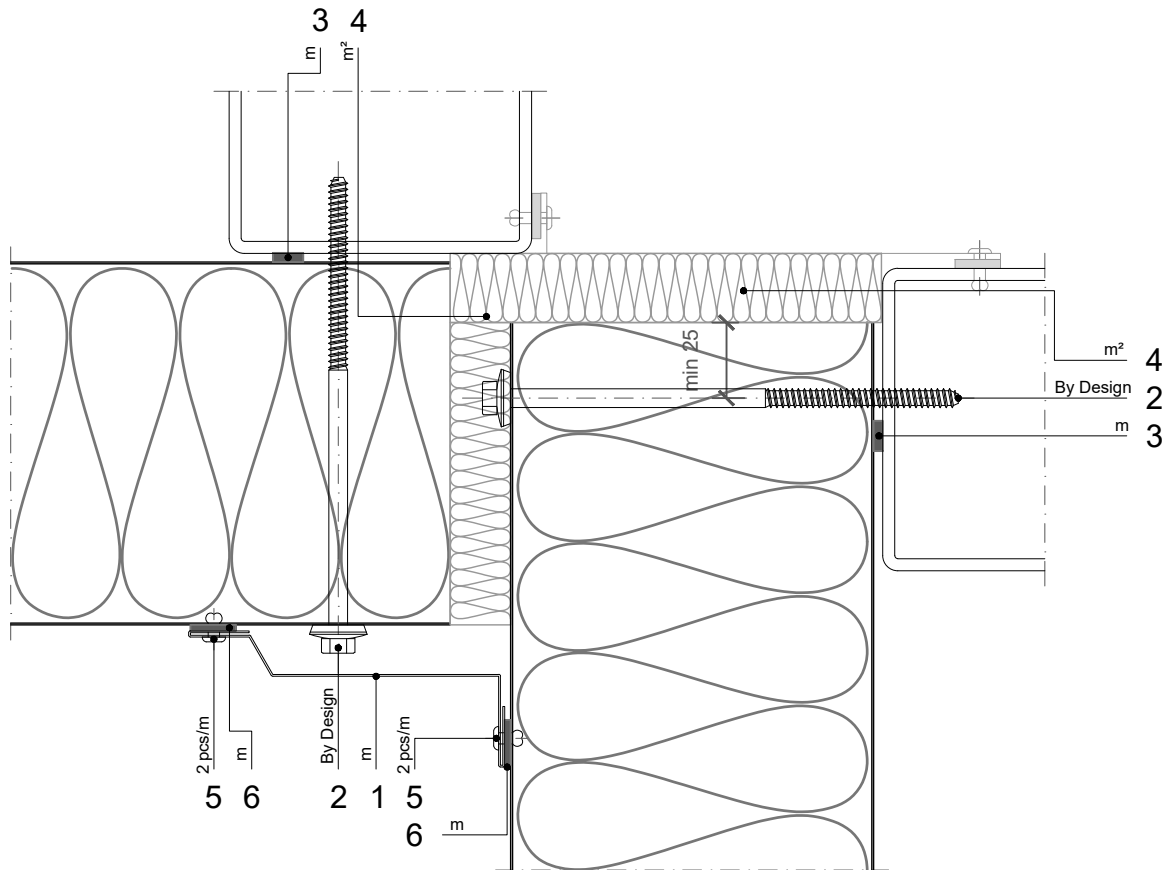
HORIZONTAL INSTALLATION

TRIMOTERM FTV

BUILDING APPLICATION

- External Facade
- Internal Wall
- Roof
- External Soffit
- Internal Ceiling
- Backing panel

VERTICAL CUT



NOTE

Apply mastic seal (acc. TE-H-01.01 - ELEMENTS)

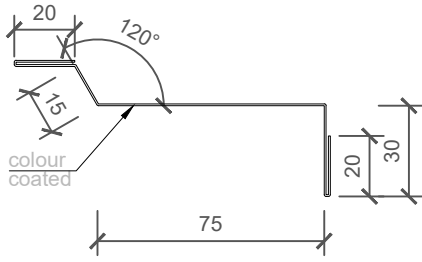
POS	CODE	ELEMENT	AMOUNT	UNIT
1	O570	Corner flashing	dwg	
2	V130	Fixing screw	By Design	
3	30006985	Self adhesive sealing tape 5x10xL		m
4	30027144	Thermal insulation		m ²
5	K001	Rivet 4xL		pcs
6	30031696	Self adhesive sealing tape 3x15xL		m

SCALE: M 1:2.5

SOFFIT 02

Trimo Group holds full copyrights on the information and details provided on this media, therefore any unauthorized reproduction and distribution is strictly prohibited.

ELEMENT_O570_Corner flashing



REFERENCE	
COLOUR	
LENGTH	
PIECES	

NOTES

material: Colored metal sheet
 thickness [mm]: 0,6
 sheet width [mm]: 180
 folds: 7
 Lmax [mm] = 6000

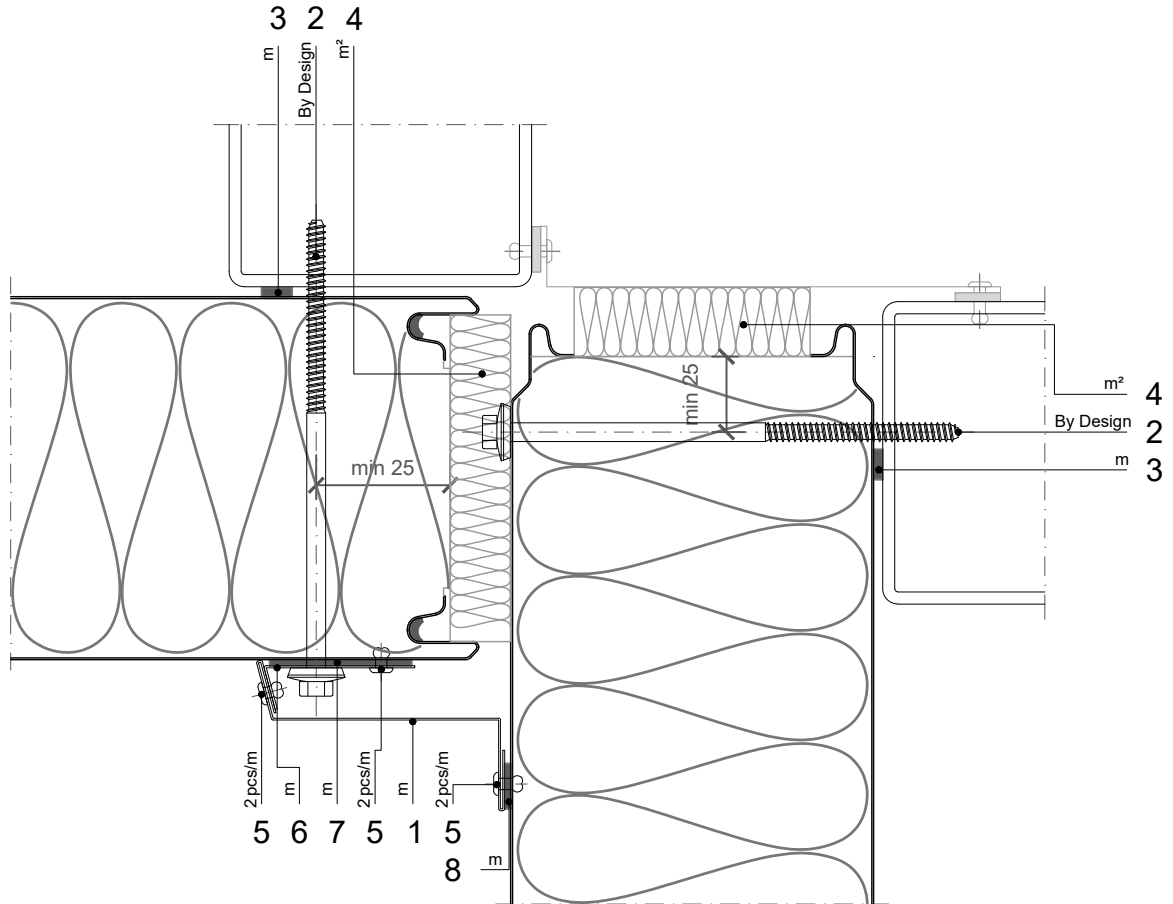
HORIZONTAL INSTALLATION

TRIMOTERM FTV

BUILDING APPLICATION

- External Facade
- Internal Wall
- Roof
- External Soffit
- Internal Ceiling
- Backing panel

VERTICAL CUT



NOTE

Apply mastic seal (acc. TE-H-01.01 - ELEMENTS)

POS	CODE	ELEMENT	AMOUNT	UNIT
1	O571	Corner flashing	dwg	
2	V130	Fixing screw	By Design	
3	30006985	Self adhesive sealing tape 5x10xL		m
4	30027144	Thermal insulation		m ²
5	K001	Rivet 4xL		pcs
6	O139	Joint flashing support	dwg	
7	5012487	Self adhesive sealing tape EPDM 2x47x100 (under the fixing)		m
8	30031696	Self adhesive sealing tape 3x15xL		m

SCALE: M 1:2.5

SOFFIT 01

Trimo Group holds full copyrights on the information and details provided on this media, therefore any unauthorized reproduction and distribution is strictly prohibited.

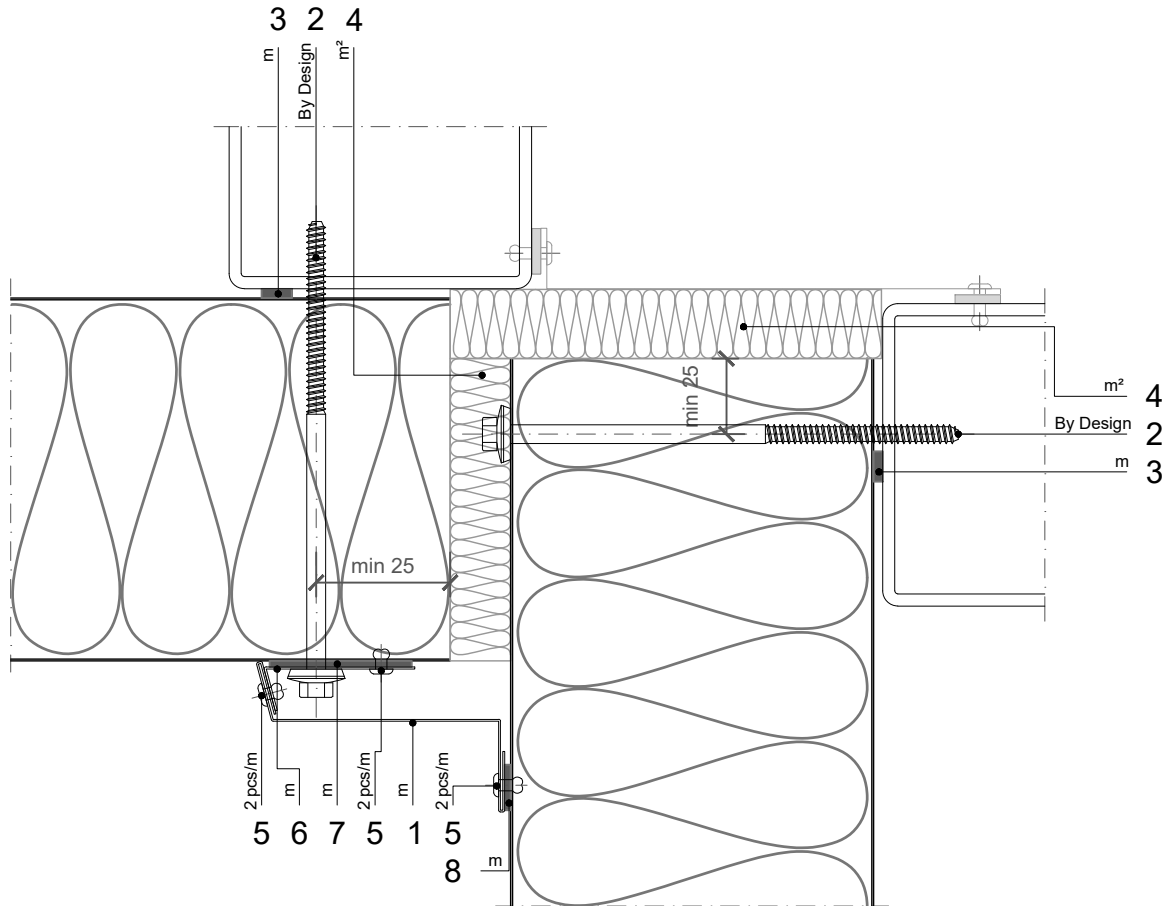
HORIZONTAL INSTALLATION

TRIMOTERM FTV

BUILDING APPLICATION

- External Facade
- Internal Wall
- Roof
- External Soffit
- Internal Ceiling
- Backing panel

VERTICAL CUT



NOTE

Apply mastic seal (acc. TE-H-01.01 - ELEMENTS)

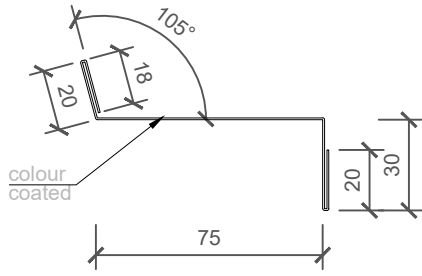
POS	CODE	ELEMENT	AMOUNT	UNIT
1	O571	Corner flashing	dwg	
2	V130	Fixing screw	By Design	
3	30006985	Self adhesive sealing tape 5x10xL		m
4	30027144	Thermal insulation		m²
5	K001	Rivet 4xL		pcs
6	O139	Joint flashing support	dwg	
7	5012487	Self adhesive sealing tape EPDM 2x47x100 (under the fixing)		m
8	30031696	Self adhesive sealing tape 3x15xL		m

SCALE: M 1:2.5

SOFFIT 02

Trimo Group holds full copyrights on the information and details provided on this media, therefore any unauthorized reproduction and distribution is strictly prohibited.

ELEMENT_ O571_Corner flashing

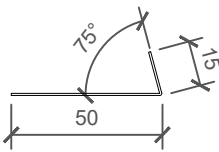


REFERENCE	
COLOUR	
LENGTH	
PIECES	

NOTES

material: Colored metal sheet
 thickness [mm]: 0,6
 sheet width [mm]: 163
 folds: 6
 Lmax [mm] = 6000

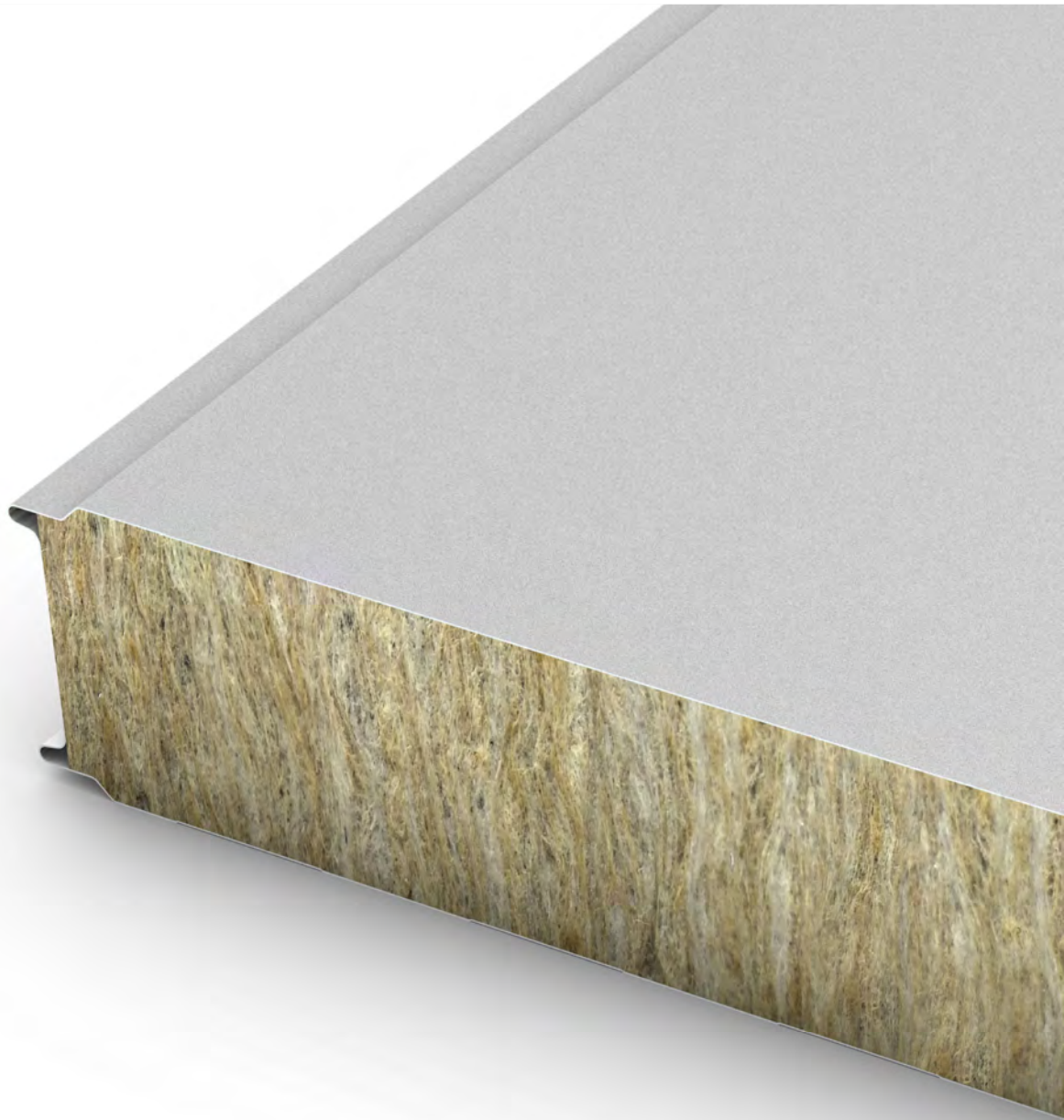
ELEMENT_ O139_Joint flashing support



REFERENCE	
LENGTH	
PIECES	

NOTES

material: Galvanized metal sheet
 thickness [mm]: 0,7
 sheet width [mm]: 65
 folds: 1
 Lmax [mm] = 6000



TRIMO

TRIMO D.O.O.
PRIJATELJEVA CESTA 12
8210 TREBNJE I SLOVENIJA
T: +386 (0)7 34 60 200
F: +386 (0)7 34 60 127
E: TRIMO@TRIMO-GROUP.COM
W: WWW.TRIMO-GROUP.COM

Trimo Group holds full copyrights on the information and details provided on this media, therefore any unauthorized reproduction and distribution is strictly prohibited. Professional care has been taken to ensure that information/details are accurate, correct, complete and not misleading. However, Trimo (including its subsidiaries) does not accept responsibility or liability for errors or information which is found to be misleading. Information/details on this media are for general purposes only. Use of it is on your own initiative and responsibility for compliance with local laws is yours. Any deviations in details and project solutions are user responsibility. In no event, will Trimo be liable for any loss or damage including without limitation, indirect or consequential loss or damage, or any loss or damage whatsoever arising from loss profits arising out of or in connection with, the use of this media. All information issued by Trimo Group is subject to continuous development and information/details contained on this media are current at date of issue. It is user's responsibility to obtain most up-to-date information from Trimo when information/details are used for project.

The last version of the document is available on www.trimo-group.com. Latest version of published document in English language prevails over other translated language documents.

For information about the delivery of panels see Trimo's General conditions. <https://trimo-group.com/en/trimo/general-conditions-of-sale>